

Armored Sink 38" x 20" 2B – U/M

Kitchen Sinks

Code: 1231 660

AISI 304 Stainless steel
Satin finish
Undermount
x cross bending for easy water draining



DETAILS

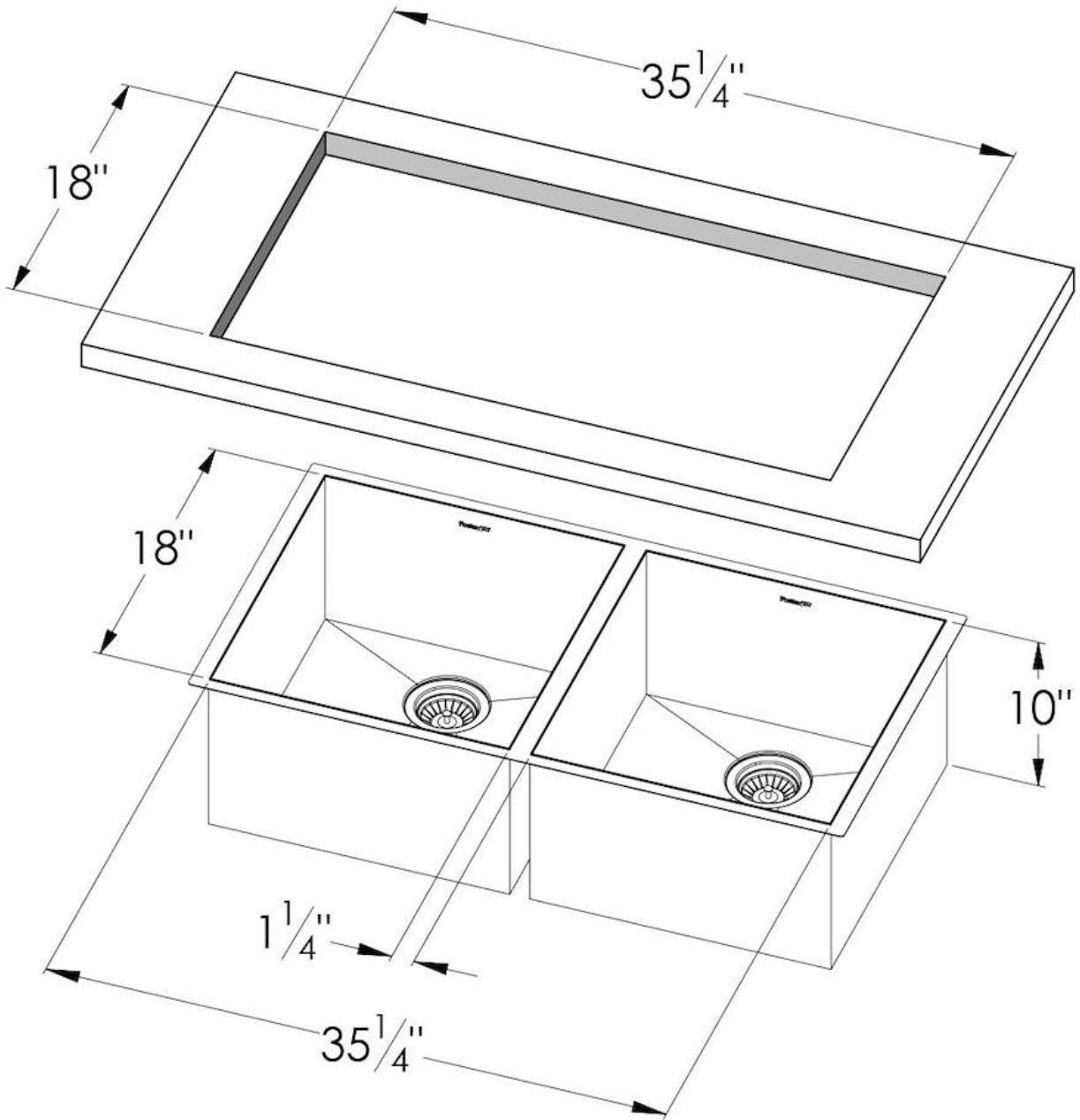
Edge/Installation Type	Undermount
Series	Quadra Armored
Texture	Satin
Material	AISI 304 stainless steel
Thickness	16 Gauge (1.5 mm)
Overall dimensions	37 1/4" x 19 1/2"
Bowls dimensions	2 bowls 2 x (17" x 18")
Bowls depht	10 "

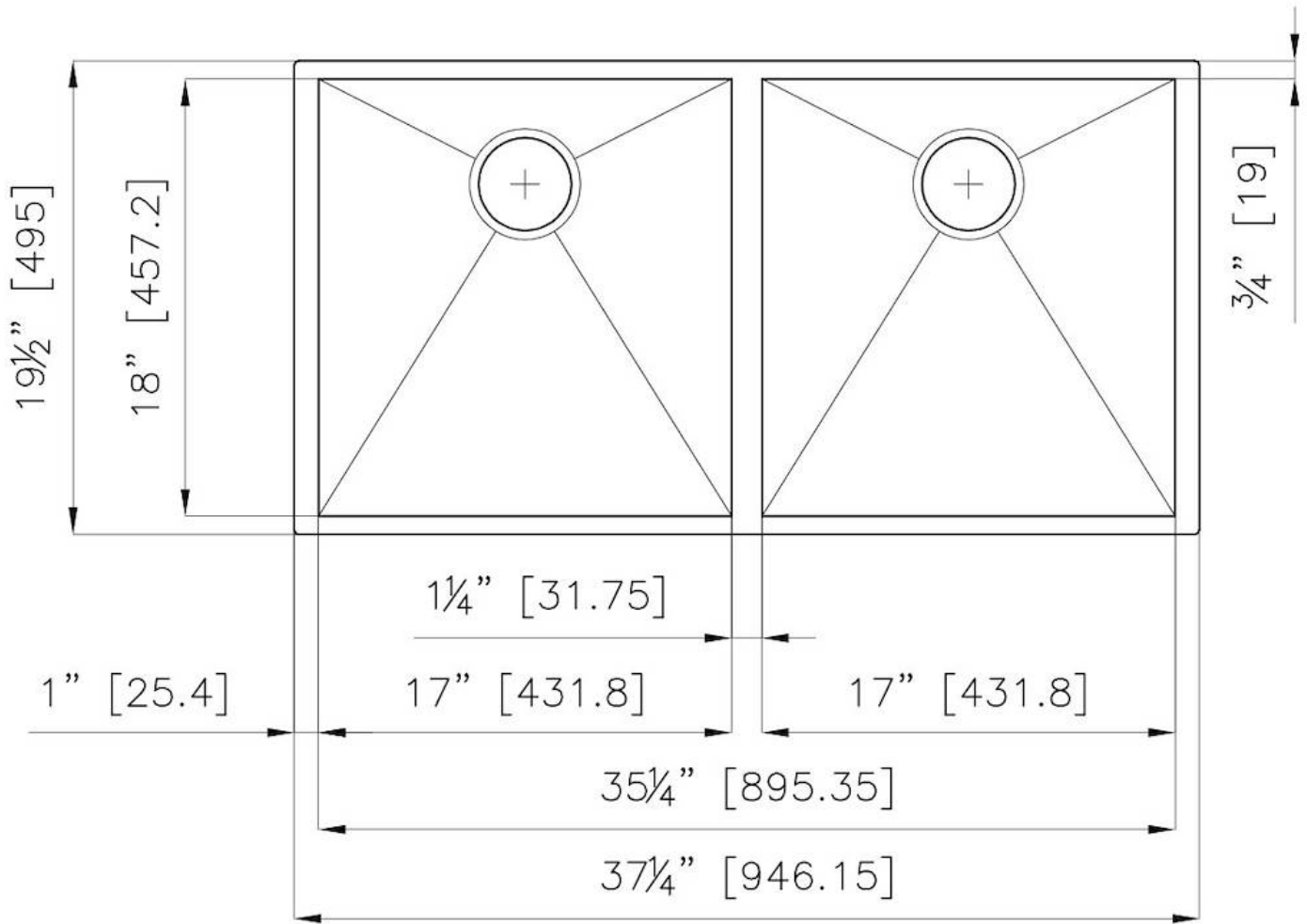
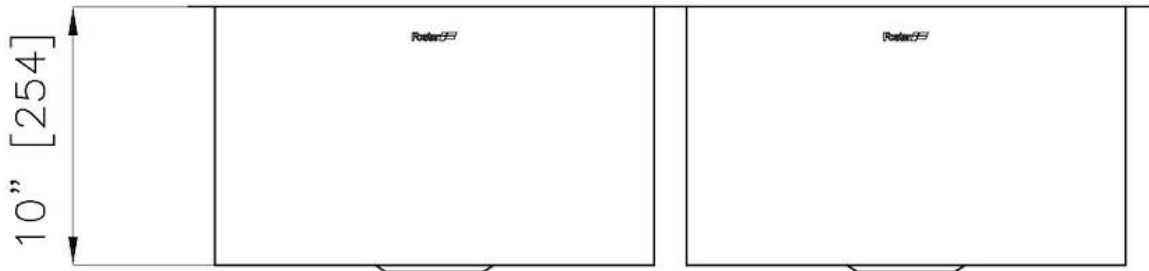
Cut out	35 1/4" x 18"
Waste fitting type	3 1/2" - with stainless steel basket
Bowls bottom	X cross bending for easy water draining
Underside	Protected with heavy duty undercoating
Fixing system	Undermount fixing kit (brass insert and clips)

FEATURES

Diamond-shape bottom	The draining of water is an important feature in a sink, and it's always taken good care of in Foster products. In the bent-welded sinks, which would have a flat bottom, the proper draining is guaranteed by the elegant beveling, which helps the water flow.
High thickness	1.5 mm thick steel. A significant thickness, which guarantees the maximum sturdiness and durability.
Basket 3,5" waste fitting	The drain is equipped with a large 3.5" drain, with the practical basket cap that prevents the discharge of solid parts.
Deep bowls	This bowls reach an important depth, over 20 cm, thanks to the advanced production technology, that can be offer great capieny and practicity in all the washing operations.

TECHNICAL DATA





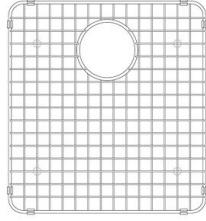
GALLERY



OPTIONAL ACCESSORIES



Waste disposer throat



Grid



Stainless Steel dishes holder



Stainless steel perforated pan



Chopping board

RECOMMENDED PAIRINGS



Faucet Ponza



Faucet Sicilia



Milano Cooktop 4 burners inLine



Milano Induction Cooktop 2 Plate