

Armored Sink 32" x 17" – U/M



Kitchen Sinks

Code: 1232 660

AISI 304 Stainless steel

Satin finish

Undermount

X cross bending for easy water draining



DETAILS

Series Quadra Armored

Edge/Installation Type Undermount

Material AISI 304 stainless steel

Texture Satin

Thickness 16 Gauge (1.5 mm)

Overall dimensions 31 1/2" x 17 1/4"

Bowl dimension 30" x 15 3/4"

Bowls depth 10"

Cut out 30" x 15 ³/₄"

Bowls bottom X cross bending for easy water draining

Underside Protected with heavy duty undercoating

Fixing system Undermount fixing kit (brass insert and clips)

Waste fitting type 3 ¹/₂" - with stainless steel basket

FEATURES

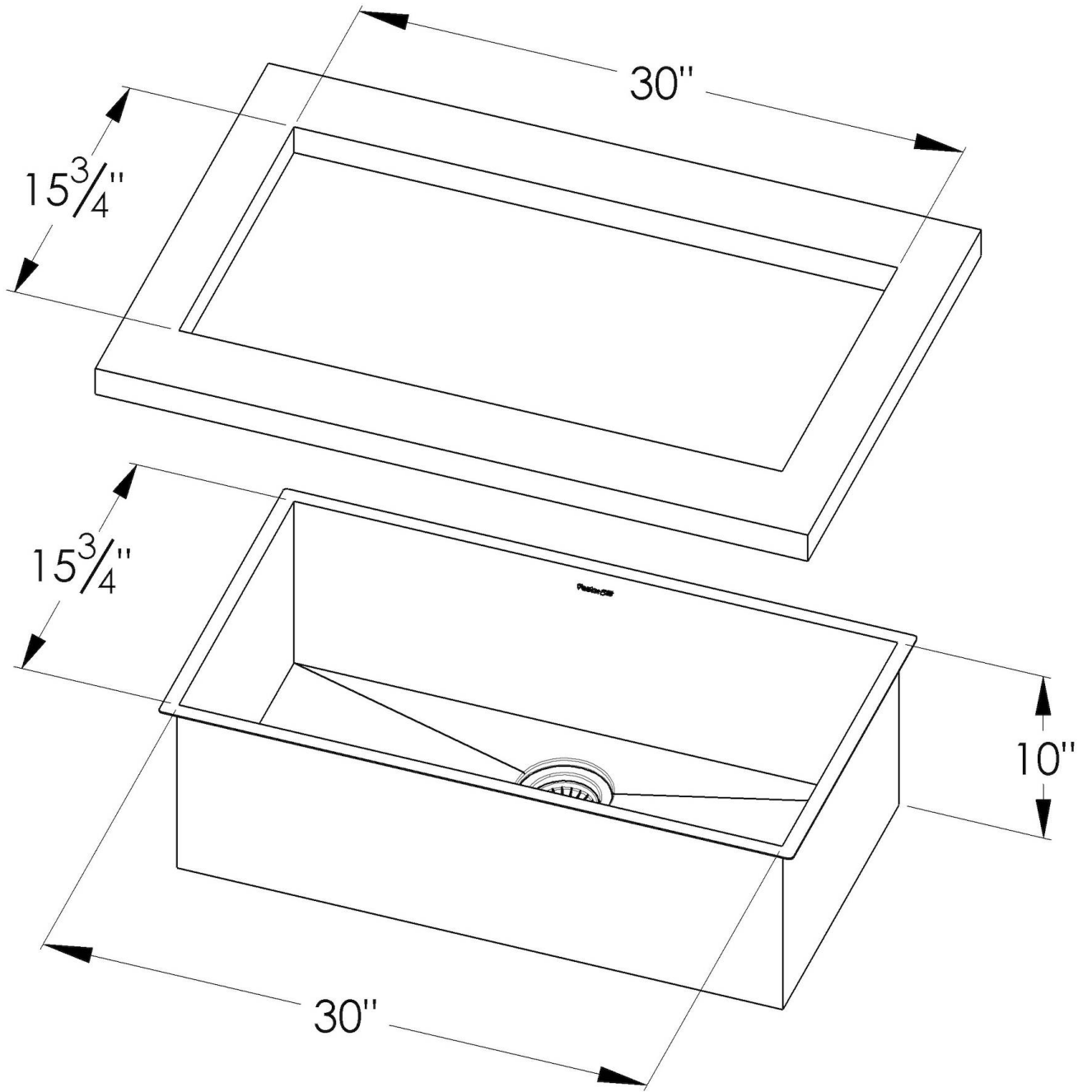
Diamond-shape bottom The draining of water is an important feature in a sink, and it's always taken good care of in Foster products. In the bent-welded sinks, which would have a flat bottom, the proper draining is guaranteed by the elegant beveling, which helps the water flow.

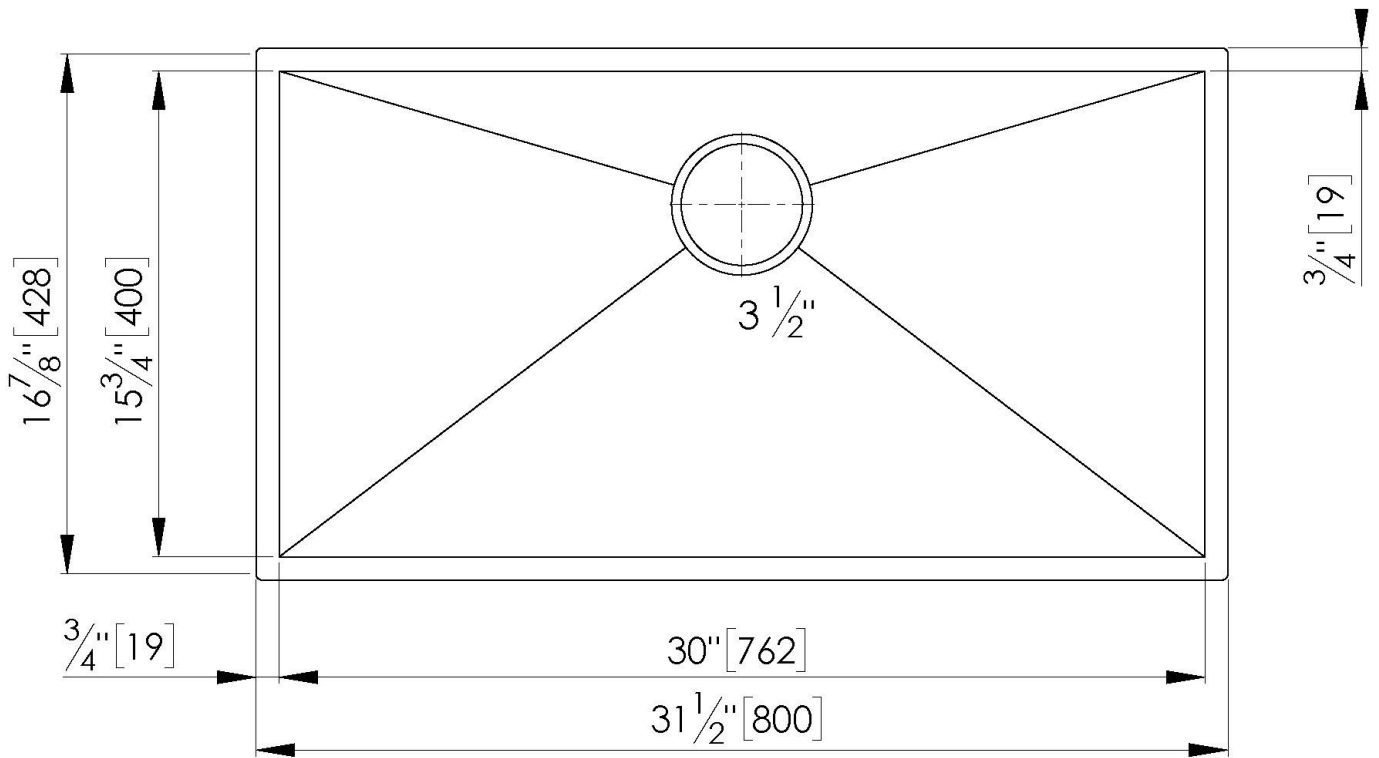
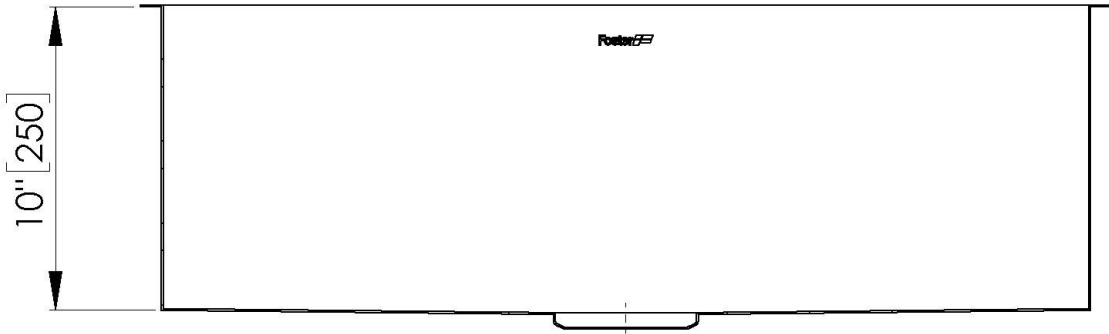
High thickness 1.5 mm thick steel. A significant thickness, which guarantees the maximum sturdiness and durability.

Basket 3,5" waste fitting The drain is equipped with a large 3.5" drain, with the practical basket cap that prevents the discharge of solid parts.

Deep bowls This bowls reach an important depth, over 20 cm, thanks to the advanced production technology, that can be offer great capieny and practicity in all the washing operations.

TECHNICAL DATA

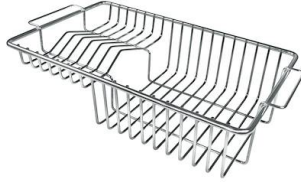




OPTIONAL ACCESSORIES



Black grid
8100 617



Stainless steel plate rack
8100 201



Waste disposer throat
8669 043



**Iroko-wood sliding chopping board
with stainless steel colander**
8644 044



Chopping Board
8631 300



White bowl
8153 100

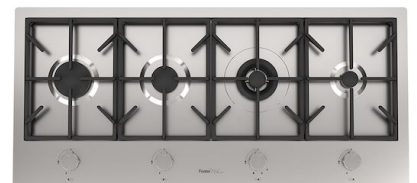
RECOMMENDED PAIRINGS



Faucet Ponza
8497 025



Faucet Sicilia
8485 005



Milano Cooktop 4 burners inLine
7640 900