

Armored Sink 19" x 20" – U/M



Kitchen Sinks

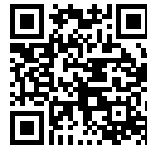
Code: 1236 660

AISI 304 Stainless steel

Satin finish

Undermount

x cross bending for easy water draining



DETAILS

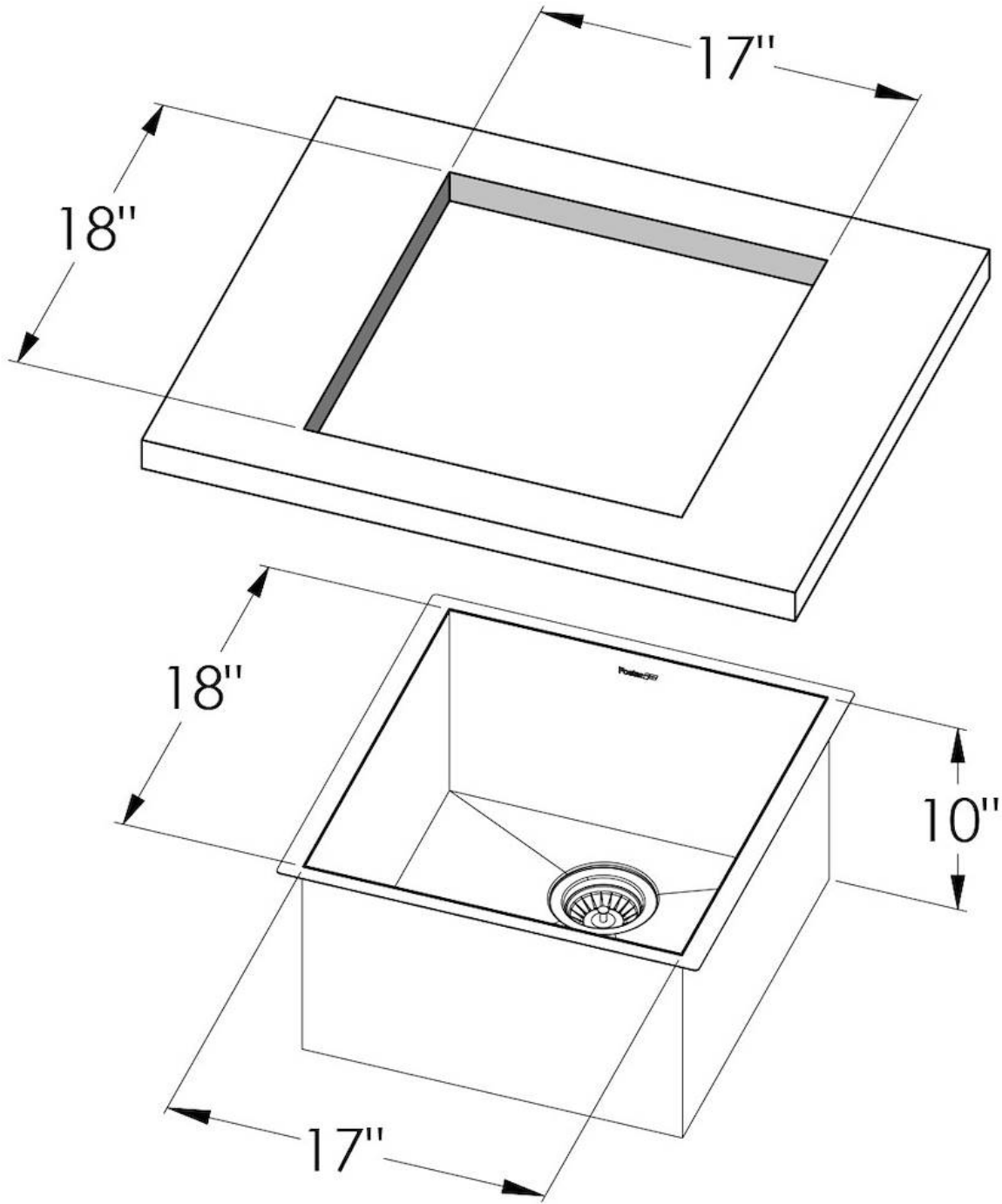
Edge/Installation Type	Undermount
Series	Quadra Armored
Texture	Satin
Material	AISI 304 stainless steel
Thickness	16 Gauge (1.5 mm)
Overall dimensions	19" x 19 1/2"
Bowls dimensions	1 bowl 17" x 18"
Bowls depth	10"

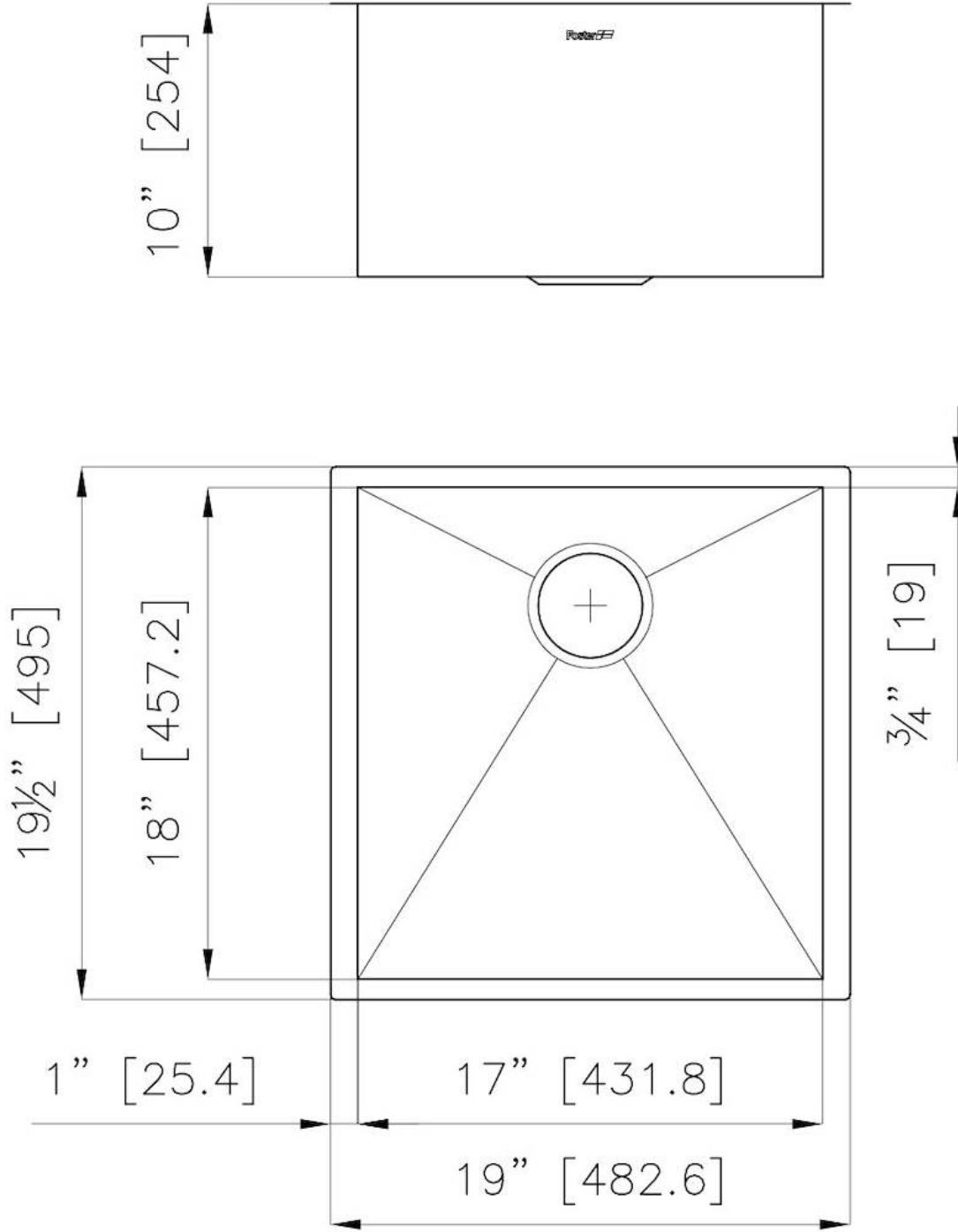
Cut out	17" x 18"
Waste fitting type	3 1/2" - with stainless steel basket
Bowls bottom	X cross bending for easy water draining
Underside	Protected with heavy duty undercoating
Fixing system	Undermount fixing kit (brass insert and clips)

FEATURES

Diamond-shape bottom	The draining of water is an important feature in a sink, and it's always taken good care of in Foster products. In the bent-welded sinks, which would have a flat bottom, the proper draining is guaranteed by the elegant beveling, which helps the water flow.
High thickness	1.5 mm thick steel. A significant thickness, which guarantees the maximum sturdiness and durability.
Basket 3,5" waste fitting	The drain is equipped with a large 3.5" drain, with the practical basket cap that prevents the discharge of solid parts.
Deep bowls	This bowls reach an important depth, over 20 cm, thanks to the advanced production technology, that can be offer great capieny and practicity in all the washing operations.

TECHNICAL DATA

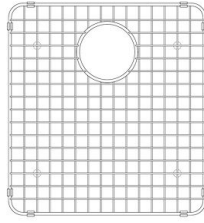




OPTIONAL ACCESSORIES



Waste disposer throat
8669 043



Grid
8100 402



Stainless steel plate rack
8100 154
* only in combination with the accessory
8644 034



Stainless steel perforated pan
8154 000
* only in combination with the accessory
8644 034



Chopping board
8644 034

RECOMMENDED PAIRINGS



Faucet Ponza
8497 025



Faucet Sicilia
8485 005



Milano Cooktop 4 burners inLine
7640 900