

Armored Sink 32" x 20" – U/M

Kitchen Sinks

Code: 1237 660

AISI 304 Stainless steel

Satin finish

Undermount

x cross bending for easy water draining



DETAILS

Edge/Installation Type Undermount

Series Quadra Armored

Texture Satin

Material AISI 304 stainless steel

Thickness 16 Gauge (1.5 mm)

Overall dimensions 32" x 20"

Bowls dimensions 1 bowl 30" x 18"

Bowls depht 10 "

Cut out 30" x 18"

Waste fitting type 3 1/2" - with stainless steel basket

Bowls bottom X cross bending for easy water draining

Underside Protected with heavy duty undercoating

Fixing system Undermount fixing kit (brass insert and clips)

FEATURES

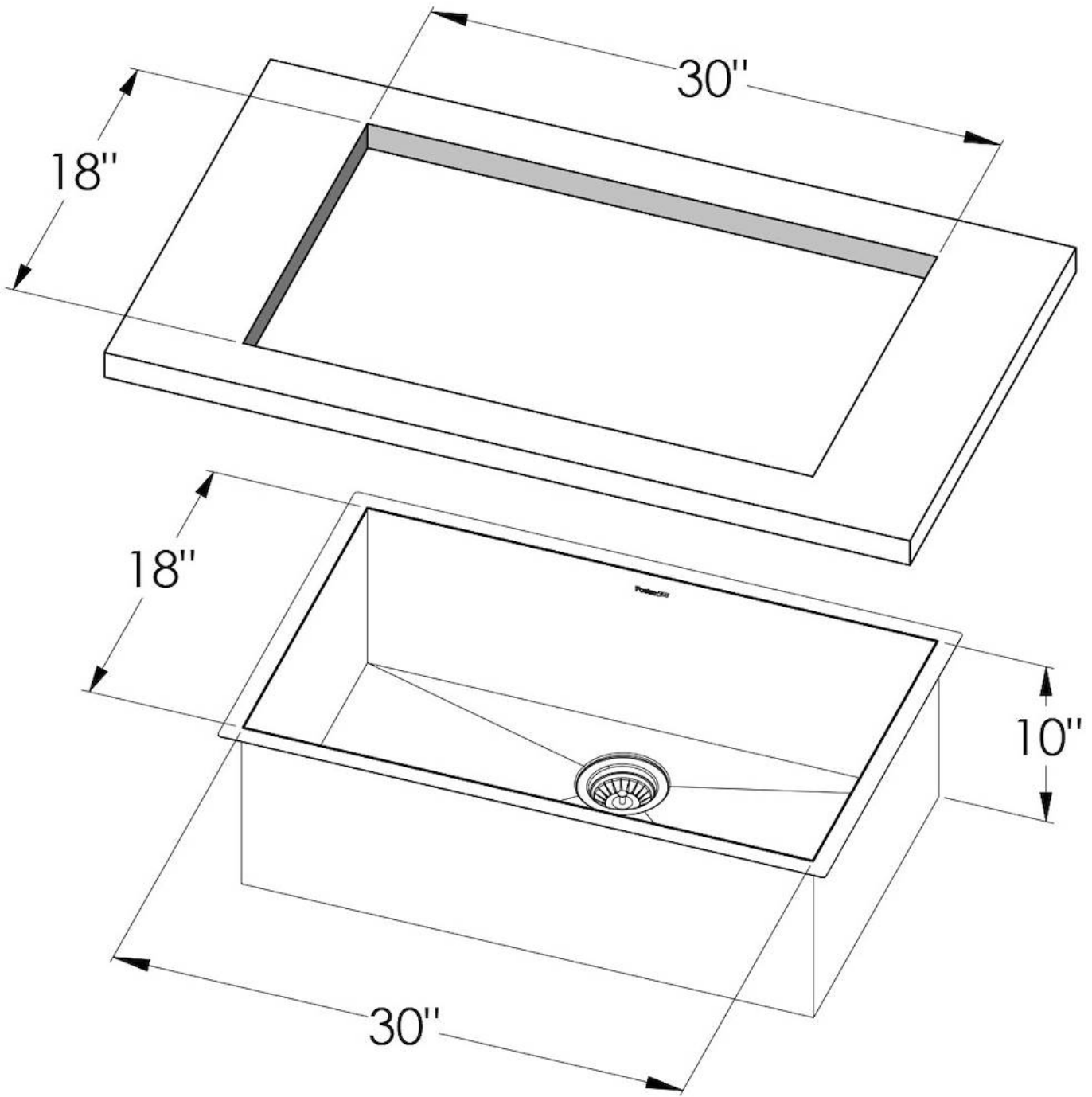
Diamond-shape bottom The draining of water is an important feature in a sink, and it's always taken good care of in Foster products. In the bent-welded sinks, which would have a flat bottom, the proper draining is guaranteed by the elegant beveling, which helps the water flow.

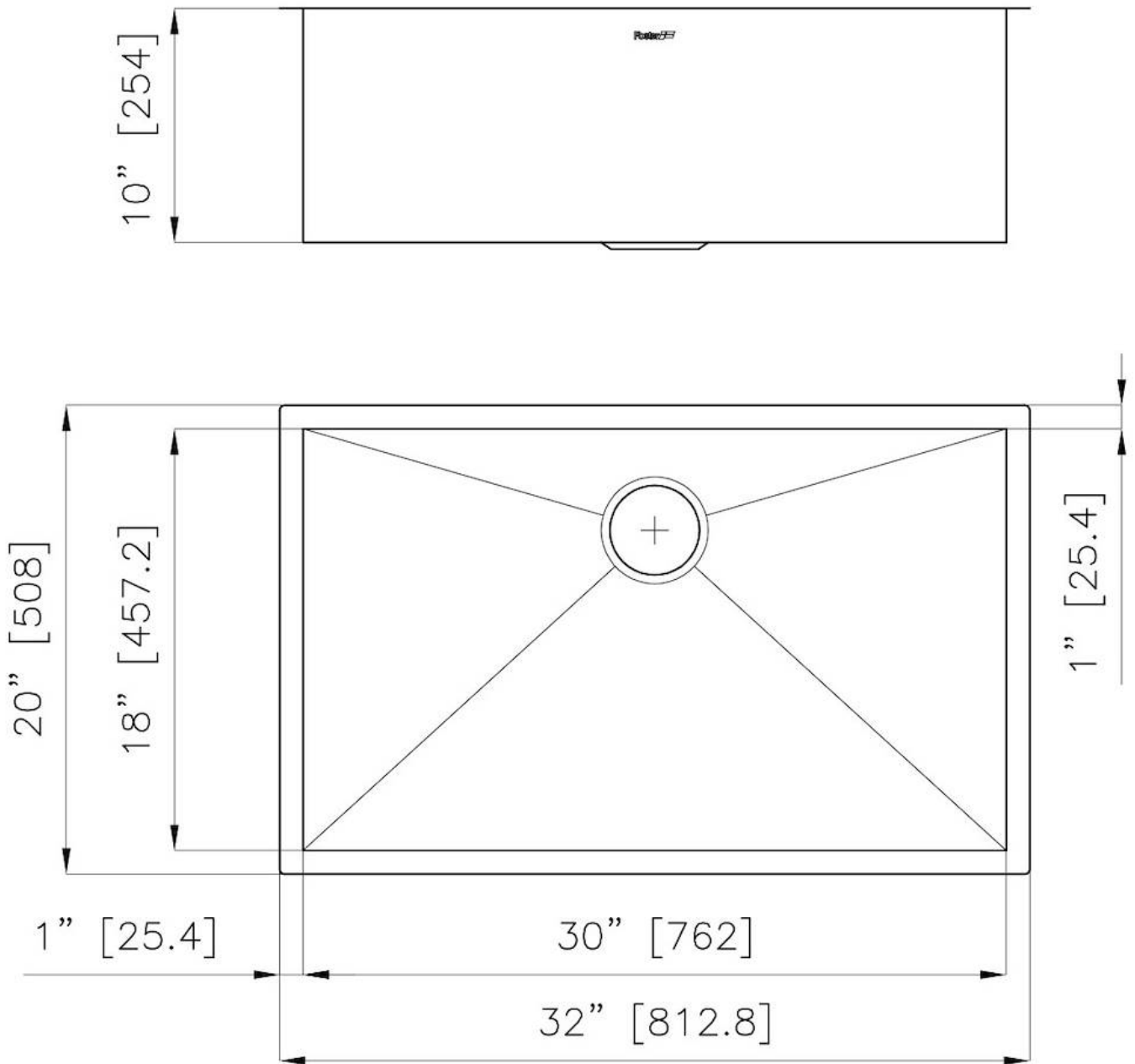
High thickness 1.5 mm thick steel. A significant thickness, which guarantees the maximum sturdiness and durability.

Basket 3,5" waste fitting The drain is equipped with a large 3.5" drain, with the practical basket cap that prevents the discharge of solid parts.

Deep bowls This bowls reach an important depth, over 20 cm, thanks to the advanced production technology, that can be offer great capieny and practicity in all the washing operations.

TECHNICAL DATA





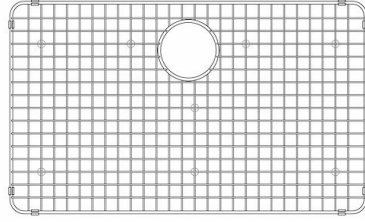
GALLERY



OPTIONAL ACCESSORIES



Waste disposer throat



Grid



Stainless Steel dishes holder



Stainless steel perforated pan



Chopping board

RECOMMENDED PAIRINGS



Faucet Ponza



Faucet Sicilia



Quadra Line Cooktop 4 burners
inLine



Milano Induction Cooktop 2 Plate