

Armored Sink Vintage finish 32" x 20" – U/M

Kitchen Sinks

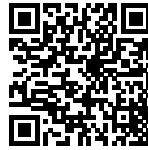
Code: 1237 680

AISI 304 Stainless steel

Vintage finish

Undermount

x cross bending for easy water draining



DETAILS

Series Quadra Armored

Material AISI 304 stainless steel

Finish Vintage finish

Thickness 16 Gauge (1.5 mm)

Inset type Undermount

Overall dimensions 32" x 20"

Bowls dimensions 1 bowl 30" x 18"

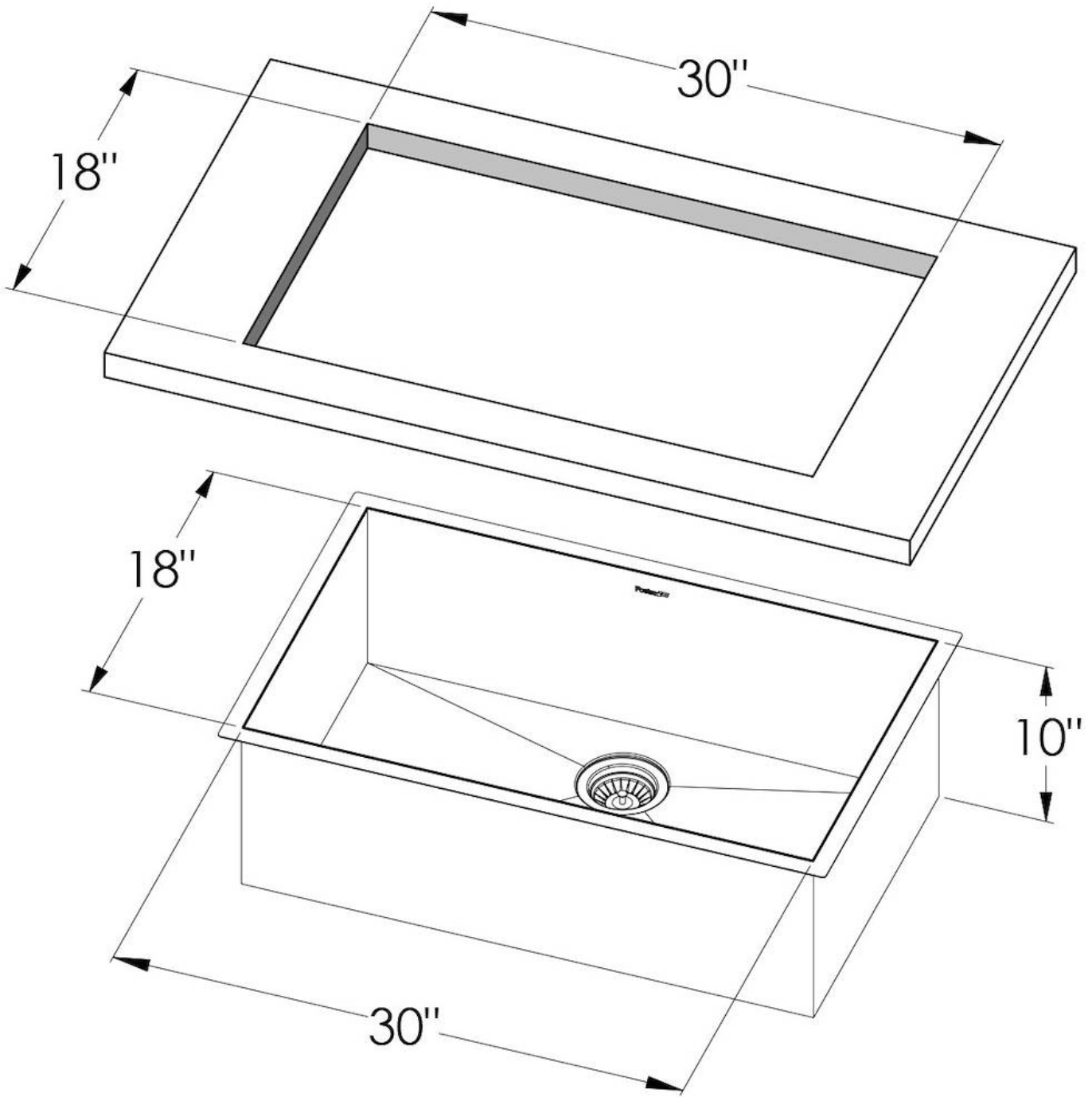
Bowls depht 10 "

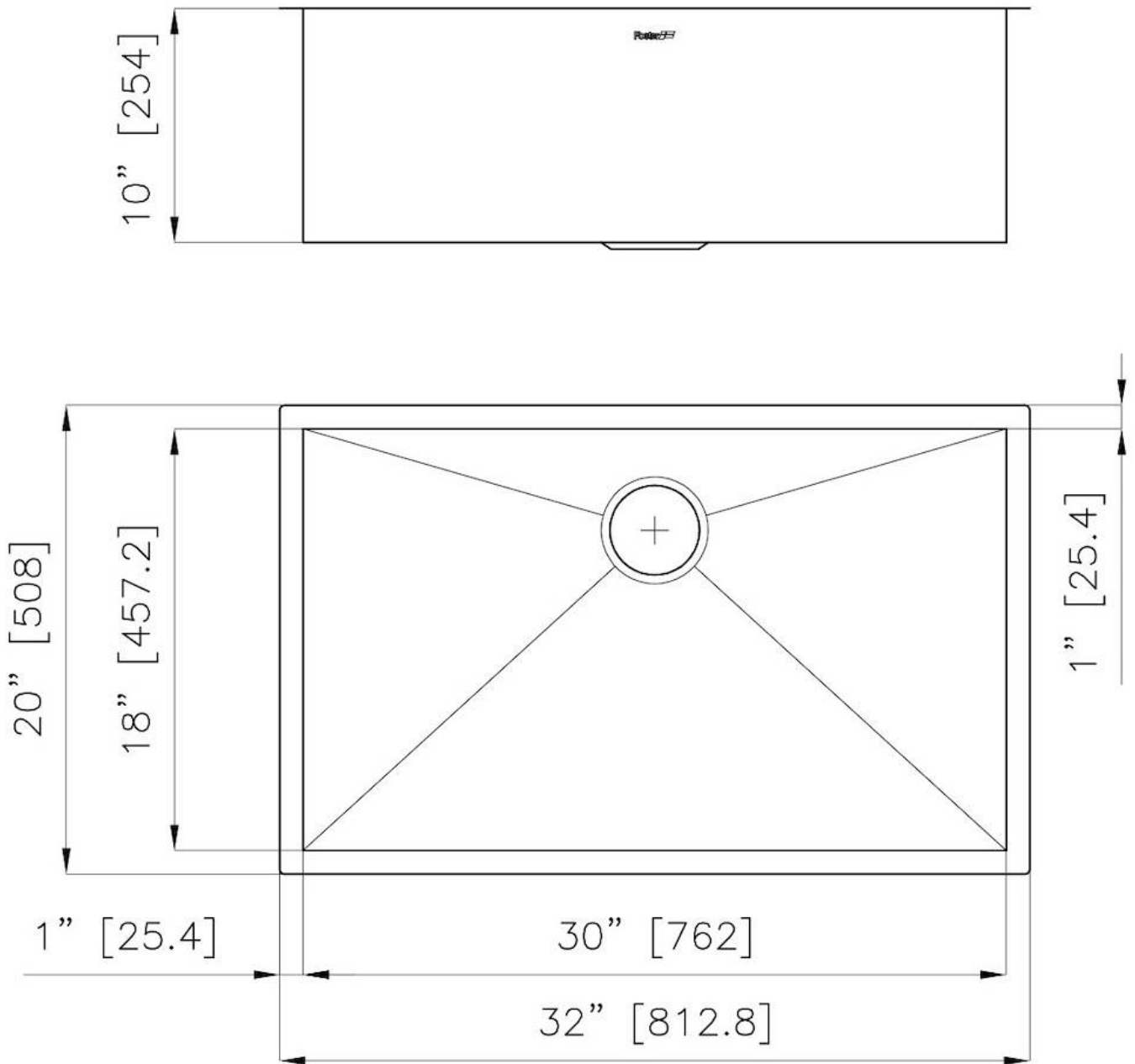
Cut out	30" x 18"
Waste fitting type	3 1/2" - with stainless steel basket
Bowls bottom	X cross bending for easy water draining
Underside	Protected with heavy duty undercoating
Fixing system	Undermount fixing kit (brass insert and clips)

FEATURES

VINTAGE	The Vintage finish gives the product a long-lived and elegant look, creating a surface that does not fear scratches.
Diamond-shape bottom	The draining of water is an important feature in a sink, and it's always taken good care of in Foster products. In the bent-welded sinks, which would have a flat bottom, the proper draining is guaranteed by the elegant beveling, which helps the water flow.
High thickness	1.5 mm thick steel. A significant thickness, which guarantees the maximum sturdiness and durability.
Basket 3,5" waste fitting	The drain is equipped with a large 3.5" drain, with the practical basket cap that prevents the discharge of solid parts.
Deep bowls	This bowls reach an important depth, over 20 cm, thanks to the advanced production technology, that can be offer great capiciency and practicity in all the washing operations.

TECHNICAL DATA





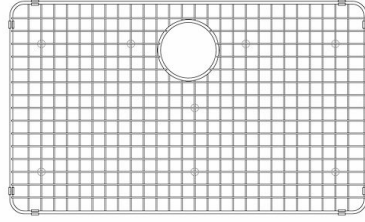
GALLERY



OPTIONAL ACCESSORIES



Waste disposer throat



Grid



Stainless Steel dishes holder



Stainless steel perforated pan



Chopping board

RECOMMENDED PAIRINGS



Faucet Ponza



Faucet Sicilia



Quadra Line Cooktop 4 burners
inLine



Milano Induction Cooktop 2 Plate