

## Armored Sink 26" x 20" – U/M

Kitchen Sinks

Code: 1238 660



AISI 304 Stainless steel

Satin finish

Undermount

x cross bending for easy water draining



### DETAILS

Edge/Installation Type Undermount

---

Series Quadra Armored

---

Texture Satin

---

Material AISI 304 stainless steel

---

Thickness 16 Gauge (1.5 mm)

---

Overall dimensions 26" x 20"

---

Bowls dimensions 1 bowl 24" x 18"

---

Bowls depht 10 "

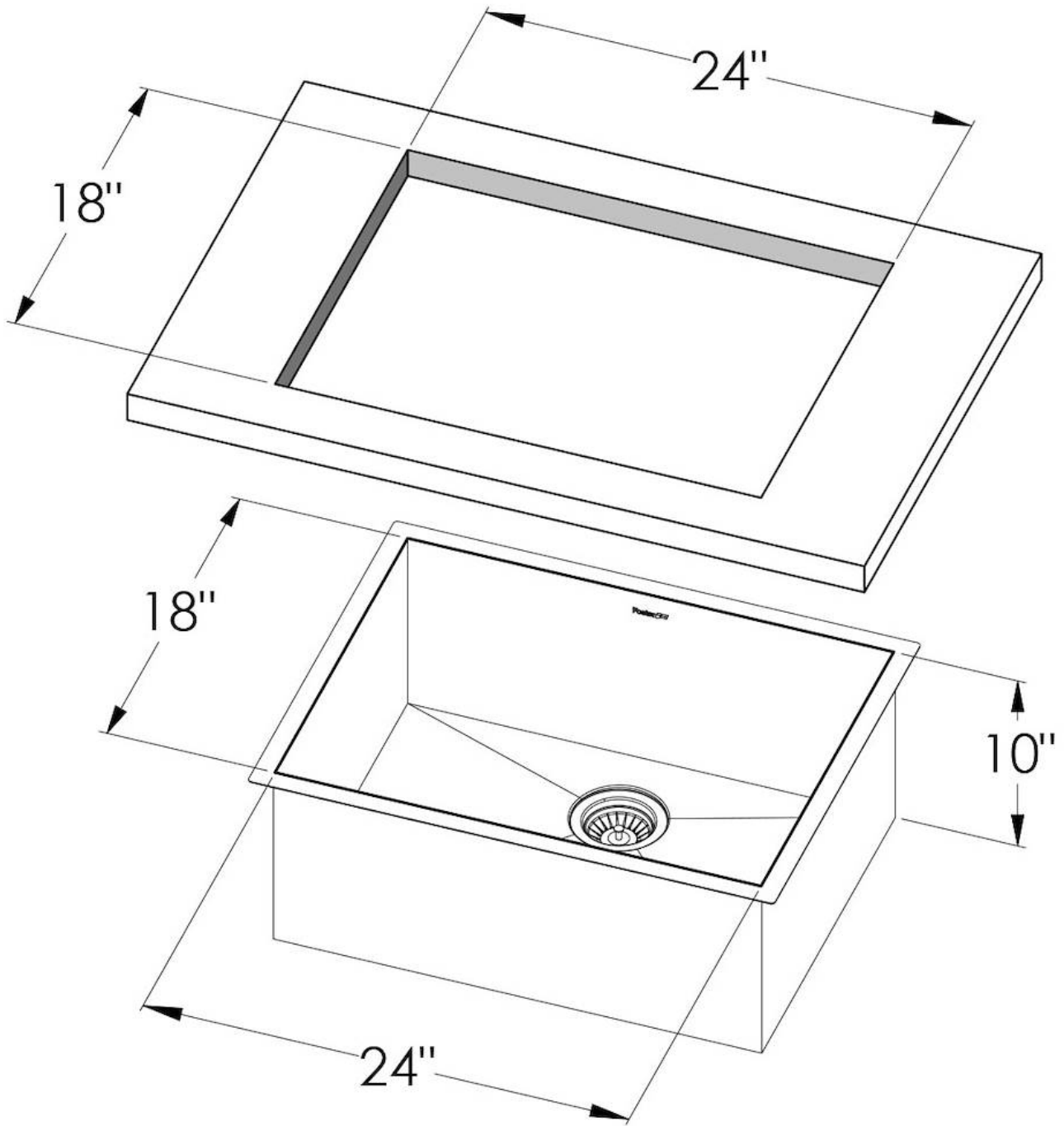
---

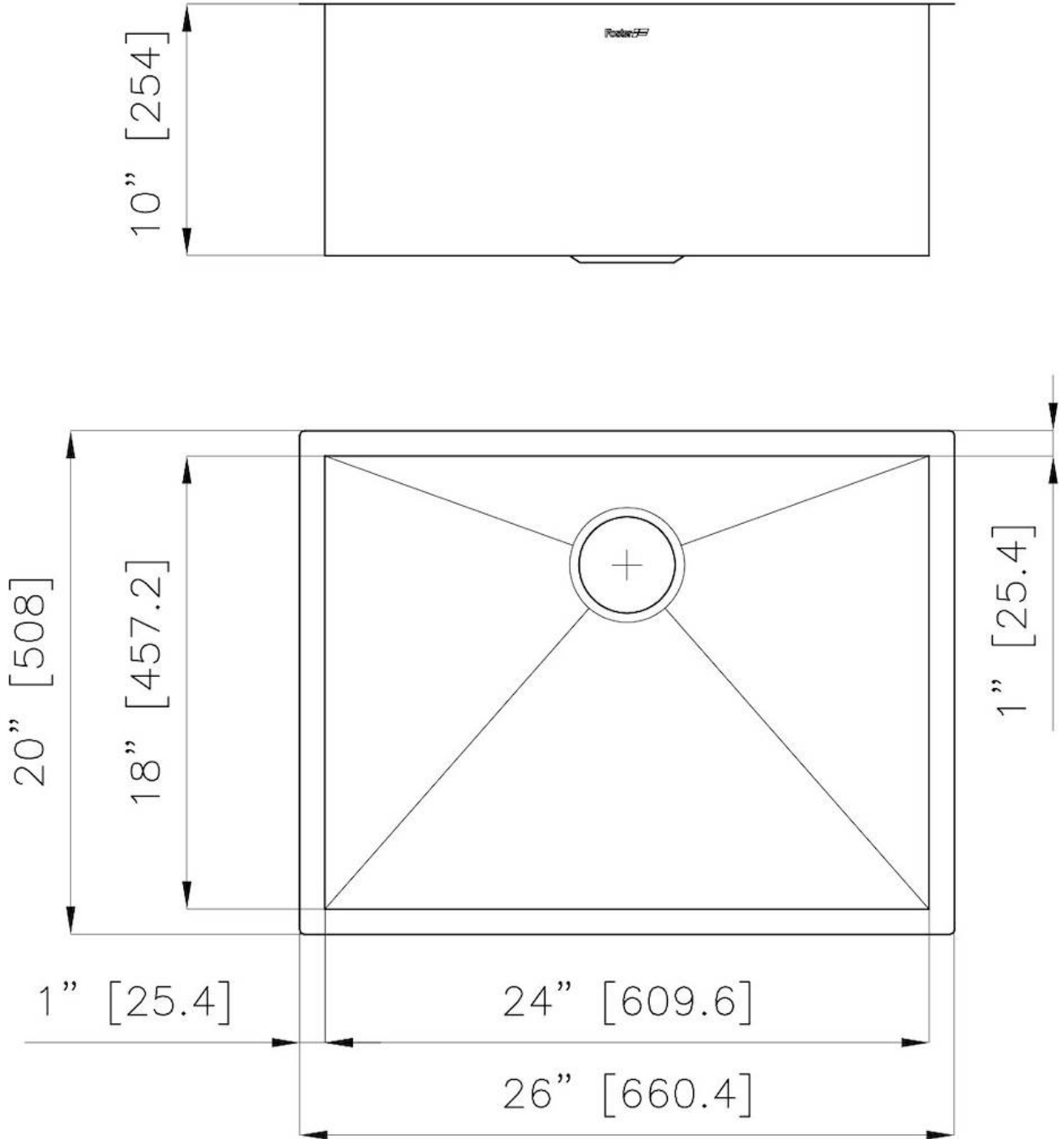
Cut out	24" x 18"
Waste fitting type	3 1/2" - with stainless steel basket
Bowls bottom	X cross bending for easy water draining
Underside	Protected with heavy duty undercoating
Fixing system	Undermount fixing kit (brass insert and clips)

## FEATURES

Diamond-shape bottom	The draining of water is an important feature in a sink, and it's always taken good care of in Foster products. In the bent-welded sinks, which would have a flat bottom, the proper draining is guaranteed by the elegant beveling, which helps the water flow.
High thickness	1.5 mm thick steel. A significant thickness, which guarantees the maximum sturdiness and durability.
Basket 3,5" waste fitting	The drain is equipped with a large 3.5" drain, with the practical basket cap that prevents the discharge of solid parts.
Deep bowls	This bowls reach an important depth, over 20 cm, thanks to the advanced production technology, that can be offer great capieny and practicity in all the washing operations.

## TECHNICAL DATA





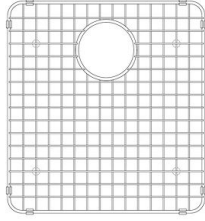
## GALLERY



## OPTIONAL ACCESSORIES



Waste disposer throat



Grid



Stainless Steel dishes holder



Stainless steel perforated pan



Chopping board

## RECOMMENDED PAIRINGS



Faucet Ponza



Faucet Sicilia



Quadra Line Cooktop 4 burners  
inLine



Milano Induction Cooktop 2 Plate