



Michelangelo Sink 1B Vintage – 30" x 15" – UM - 1418 680

Sinks

Code: 1418 680

AISI 304 Stainless steel
Vintage finish
Undermount
x cross bending for easy water draining



DETAILS

Series Michelangelo Series

Texture Vintage

Edge/Installation Type Undermount

Material AISI 304 stainless steel

Thickness 17 Gauge (1.5 mm)

Overall dimensions 31^{3/16}" x 17^{23/32}"

Bowls dimensions 1 bowl 26^{27/32}" x 15^{3/4}"

| | |
|--------------------|---|
| Bowls depth | 10 " |
| Cut out | 30" x 16 ^{17/32} " template provided |
| Waste fitting type | 3 1/2" space – with satin steel cover |

Bowls bottom X cross bending for easy water draining

Underside Protected with heavy duty undercoating

Fixing system Undermount fixing kit (brass insert and clips)

FEATURES

Diamond-shape bottom The draining of water is an important feature in a sink, and it's always taken good care of in Foster products. In the bent-welded sinks, which would have a flat bottom, the proper draining is guaranteed by the elegant beveling, which helps the water flow.

High thickness 1.5 mm thick steel. A significant thickness, which guarantees the maximum sturdiness and durability.

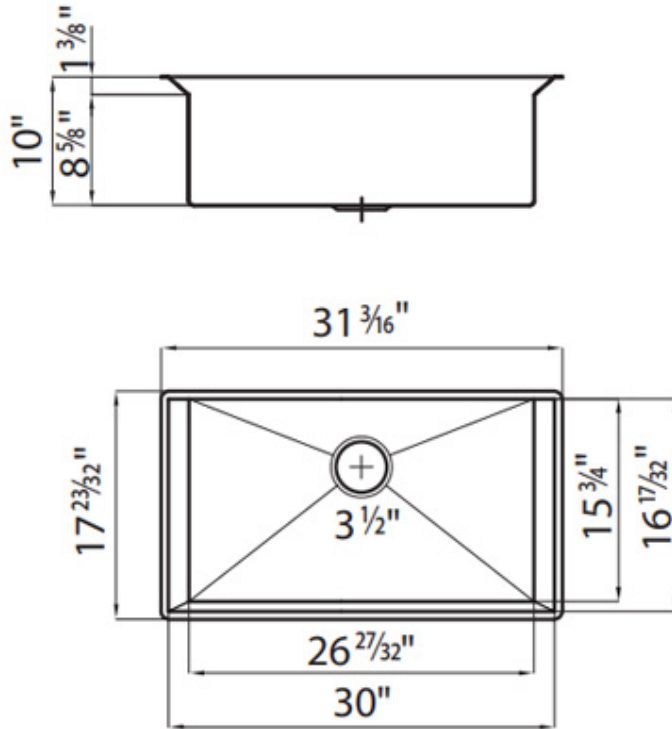
Inclined recess A deep and inclined recess houses the burners and grigs, allowing to create a single work surface. The inclination also makes it extremely easy to clean the edges.

Save space system Drain and siphon are designed to leave as much space as possible in the under-sink area, more and more useful today for theseparate waste collection systems.


Squared bowls - 0/9 radius The square bowls of Foster have perfectly squared vertical edges, while those on the bottom have a small radius of 9 mm that facilitates cleaning operations.

TECHNICAL DATA

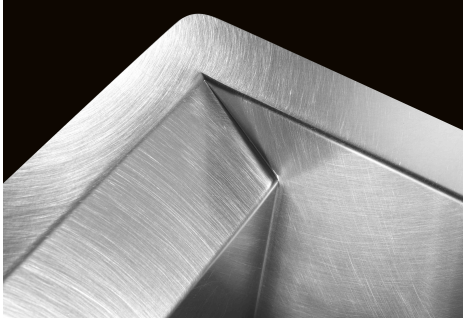
DIMENSIONS



CUT OUT

 = cut-out size: 30" x 16 17/32"

GALLERY



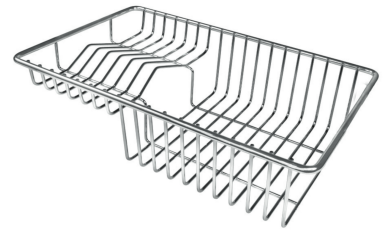
OPTIONAL ACCESSORIES



Grating kit complete with ring support and food collection tray
8159 101



Stainless steel perforated pan
8151 000



Stainless Steel dishes holder 8100
303



HDPE Twin Chopping Board
8644 100



Chopping board 8656 001

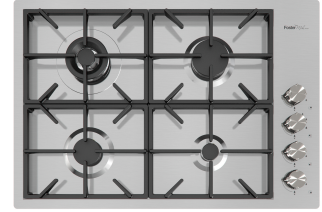
RECOMMENDED PAIRINGS



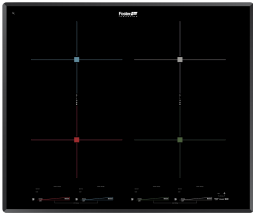
Faucet Capri | Polished finish -
8467 005



Faucet Salina | Polished Finish -
8487 005



Milano Cooktop 4 burners - 7637
900



Milano Induction Cooktop 4 Plate
- 7371 945