

KE Sink Black 18" x 18" – U/M



Kitchen Sinks

Code: 2156 663

PVD Black
AISI 304 Stainless steel
Foster brushed
Undermount



DETAILS

Series	KE
Material	AISI 304 stainless steel
Texture	Foster brushed
Finish	PVD
Coloring	Black
Edge/Installation Type	Undermount
Thickness	18 Gauge (1.2 mm)
Overall dimensions	17 ⁵ / ₁₆ " x 17 ⁵ / ₁₆ "

Bowl dimension 1 bowl 15 ³/₄" x 15 ³/₄"

Bowls depth 8"

Cut out 15 ³/₄" x 15 ³/₄"

Waste fitting type 3 ¹/₂" - with stainless steel basket

Underside Protected with heavy duty undercoating

Fixing system Undermount fixing kit (brass insert and clips)

FEATURES

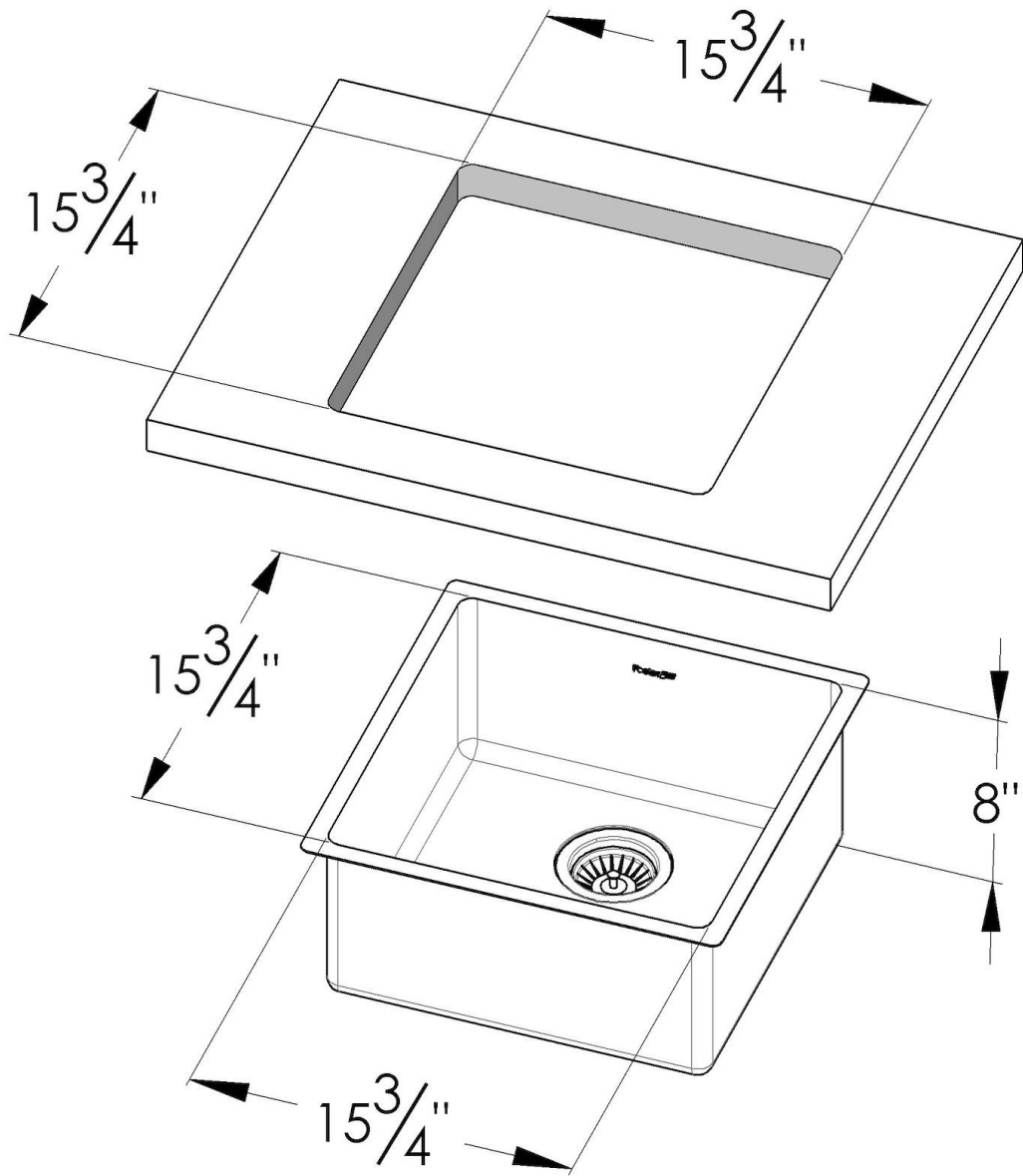
BLACK The Black finish is obtained by treating steel with a physical process called PVD (Physical Vacuum Deposition) which deposits particles of noble metals on the surface. The result is a unique and refined aesthetic effect, and an improvement of the mechanical properties of the steel which is more resistant to impact and scratches.

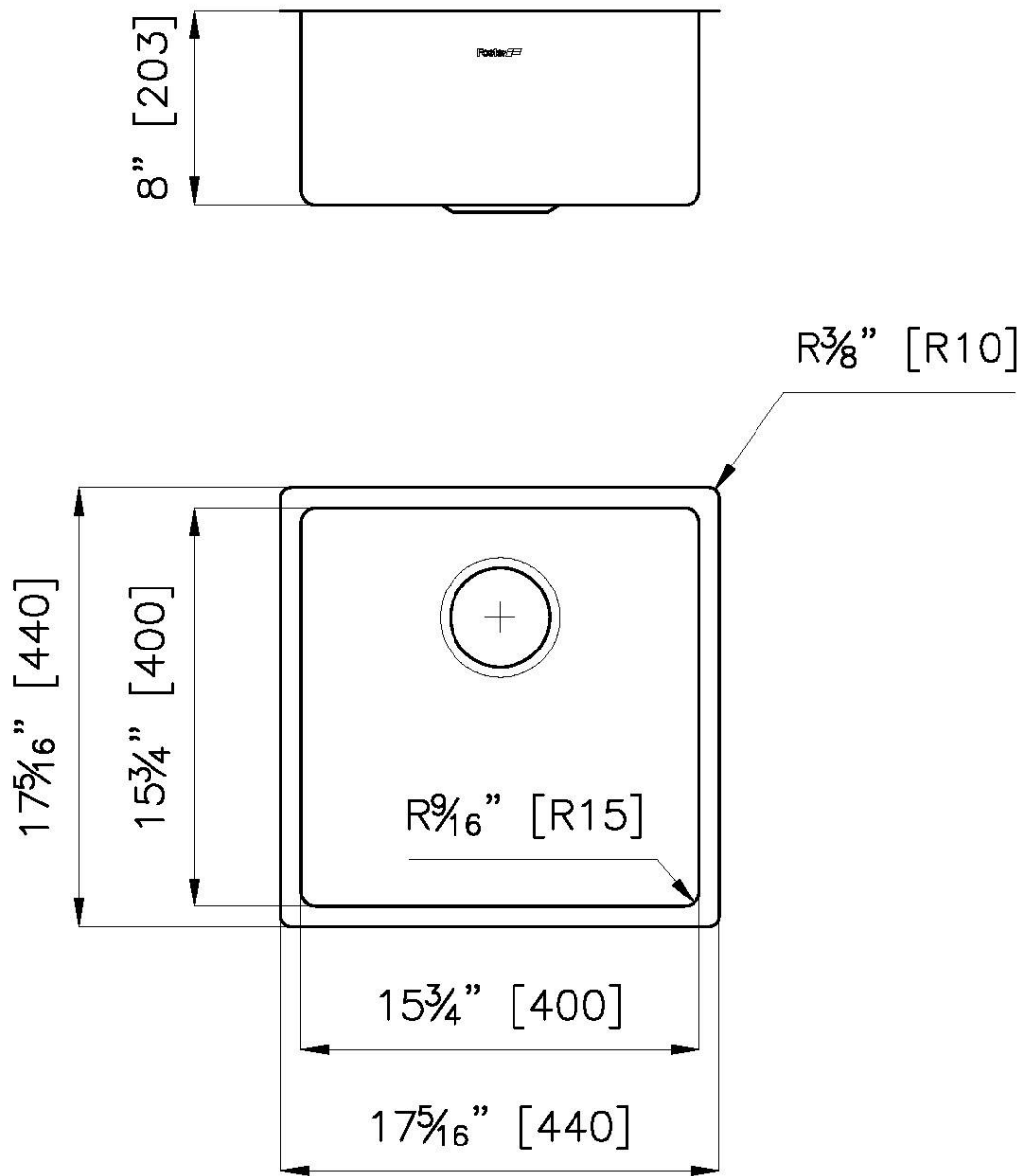
Basket 3,5" waste fitting The drain is equipped with a large 3.5" drain, with the practical basket cap that prevents the discharge of solid parts.

High thickness 1.2 1.2 mm thick steel. A significant thickness, which guarantees the maximum sturdiness and durability.

Small radius Bowls with squared shapes with a modern design and an increased capacity, for a minimal aesthetics connected with an extreme practicality.

TECHNICAL DATA





OPTIONAL ACCESSORIES



Black grid
8100 651



Chopping Board
8631 300



Grating kit complete with ring support and food collection tray
8159 101
* only in combination with the accessory 8644 101



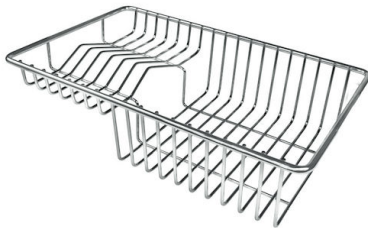
HDPE Chopping board
8657 001



HPDE Chopping board GREY
8657 002



Iroko-wood sliding chopping board with stainless steel colander
8644 044



Stainless Steel dishes holder
8100 303
* only in combination with the accessory 8644 101



Stainless steel perforated pan PVD Gun Metal
8151 006
* only in combination with the accessory 8644 101



Twin Chopping Board
8644 101



White bowl
8153 100



Waste disposer throat PVD Gun Metal
8669 046



PVD Gun Metal automatic kit for waste-fitting
8407 136

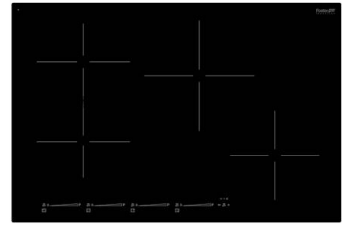
RECOMMENDED PAIRINGS



Faucet Capri | Black finish
8467 666



Faucet Capri Gun Metal
8467 605



Induction Cooktop 30"
7371 947