

KE Sink 30" x 18" – F/M

Kitchen Sinks

Code: 2157 063

AISI 304 Stainless steel
Foster brushed
Flush-mount



DETAILS

Edge/Installation Type Flush-mount | Top-mount

Finish Foster brushed

Series KE

Texture Foster brushed

Material AISI 304 stainless steel

Thickness 18 Gauge (1.2 mm)

Overall dimensions 29 ¹/₂" x 17 ⁵/₁₆"

Bowl dimension 1 bowl 27 ¹⁵/₁₆" x 15 ³/₄"

Bowls depht 7 ¹¹/₁₆"

Flush-mount cut-out See cut-out drawing

Overmount cut-out 29" x 16 1/2"

Waste fitting type 3 1/2" - with stainless steel basket

Underside Protected with heavy duty undercoating

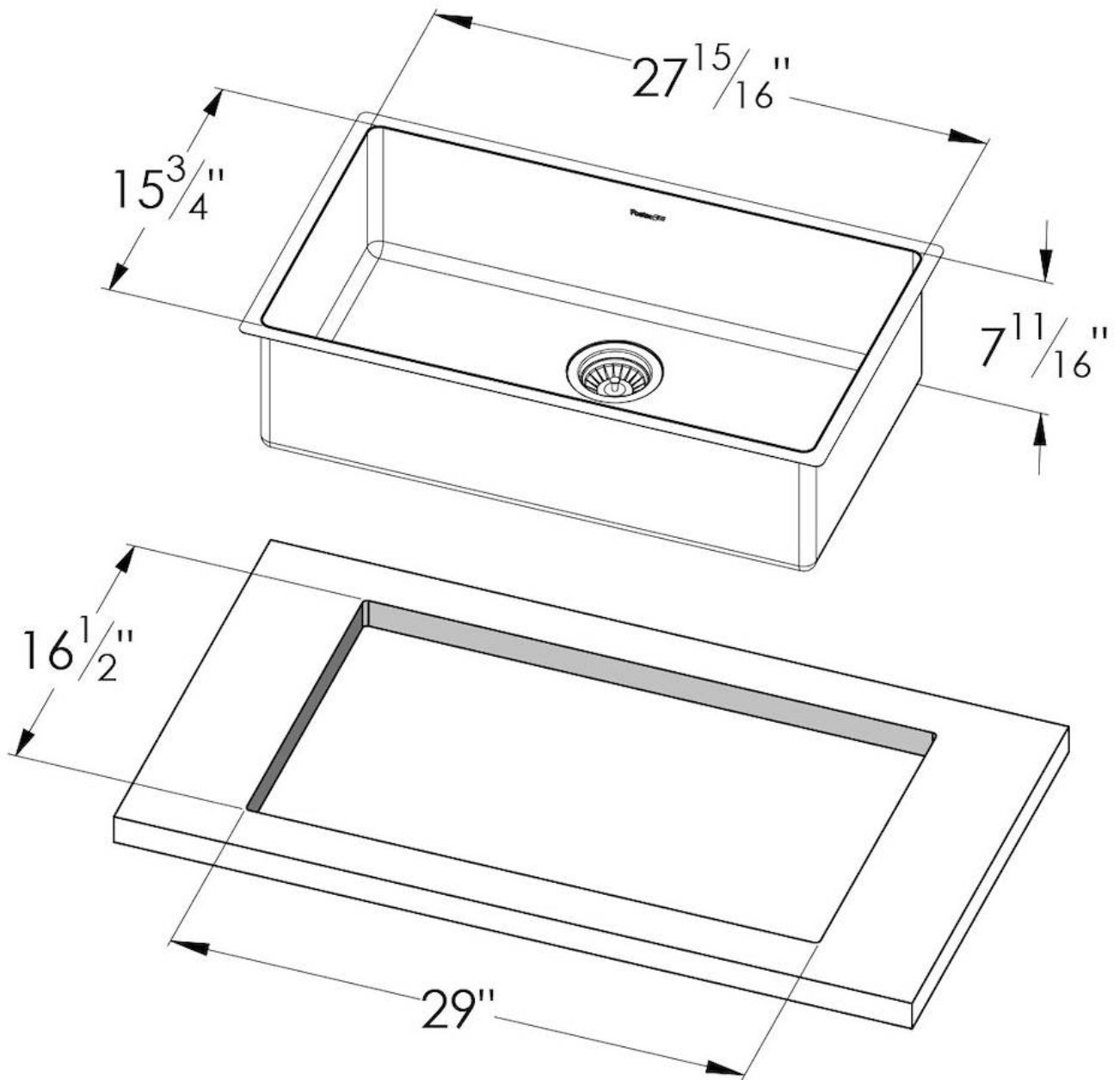
FEATURES

Basket 3,5" waste fitting The drain is equipped with a large 3.5" drain, with the practical basket cap that prevents the discharge of solid parts.

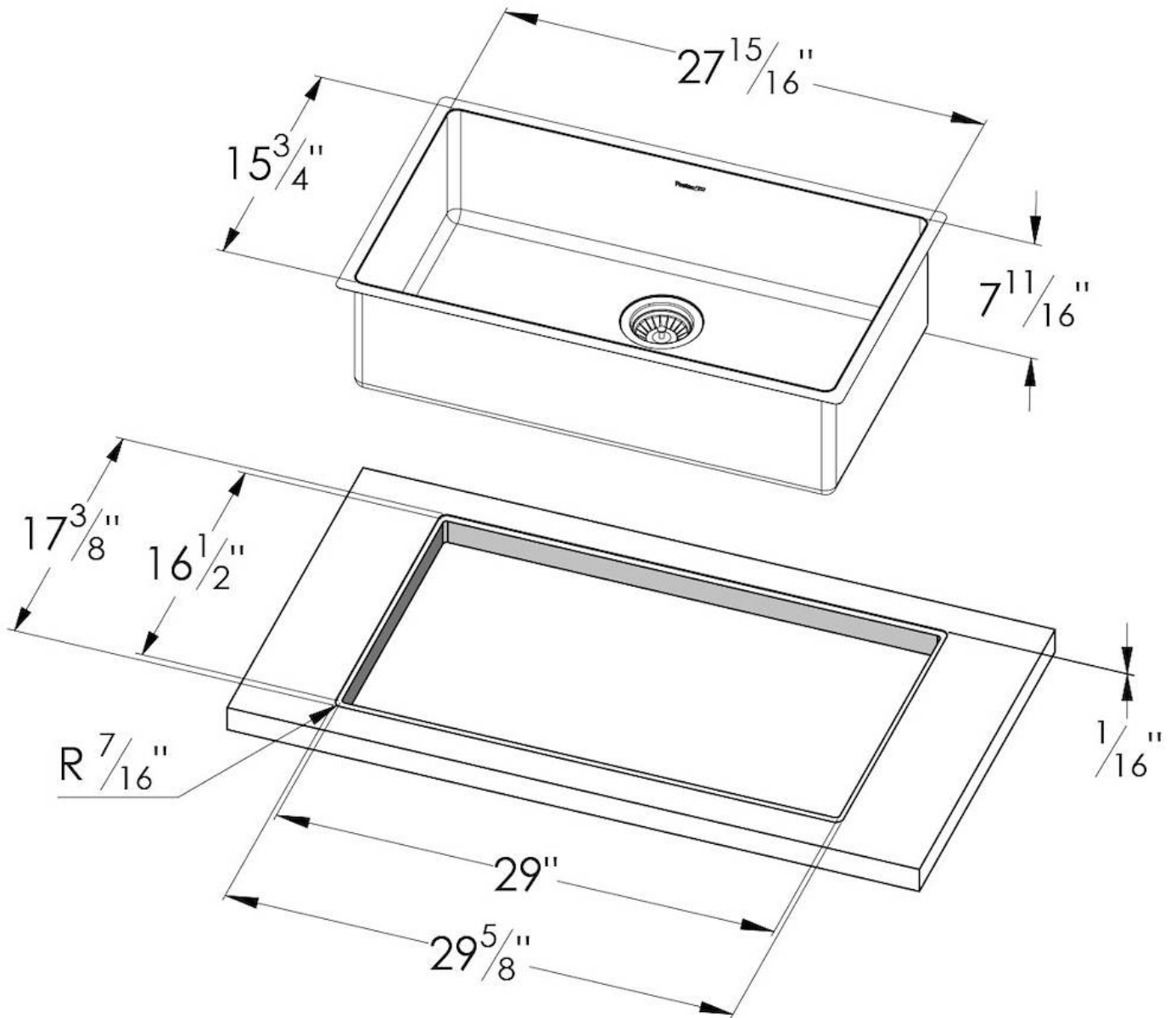
High thickness 1.2 1.2 mm thick steel. A significant thickness, which guarantees the maximum sturdiness and durability.

Small radius Bowls with squared shapes with a modern design and an increased capacity, for a minimal aesthetics connected with an extreme practicality.

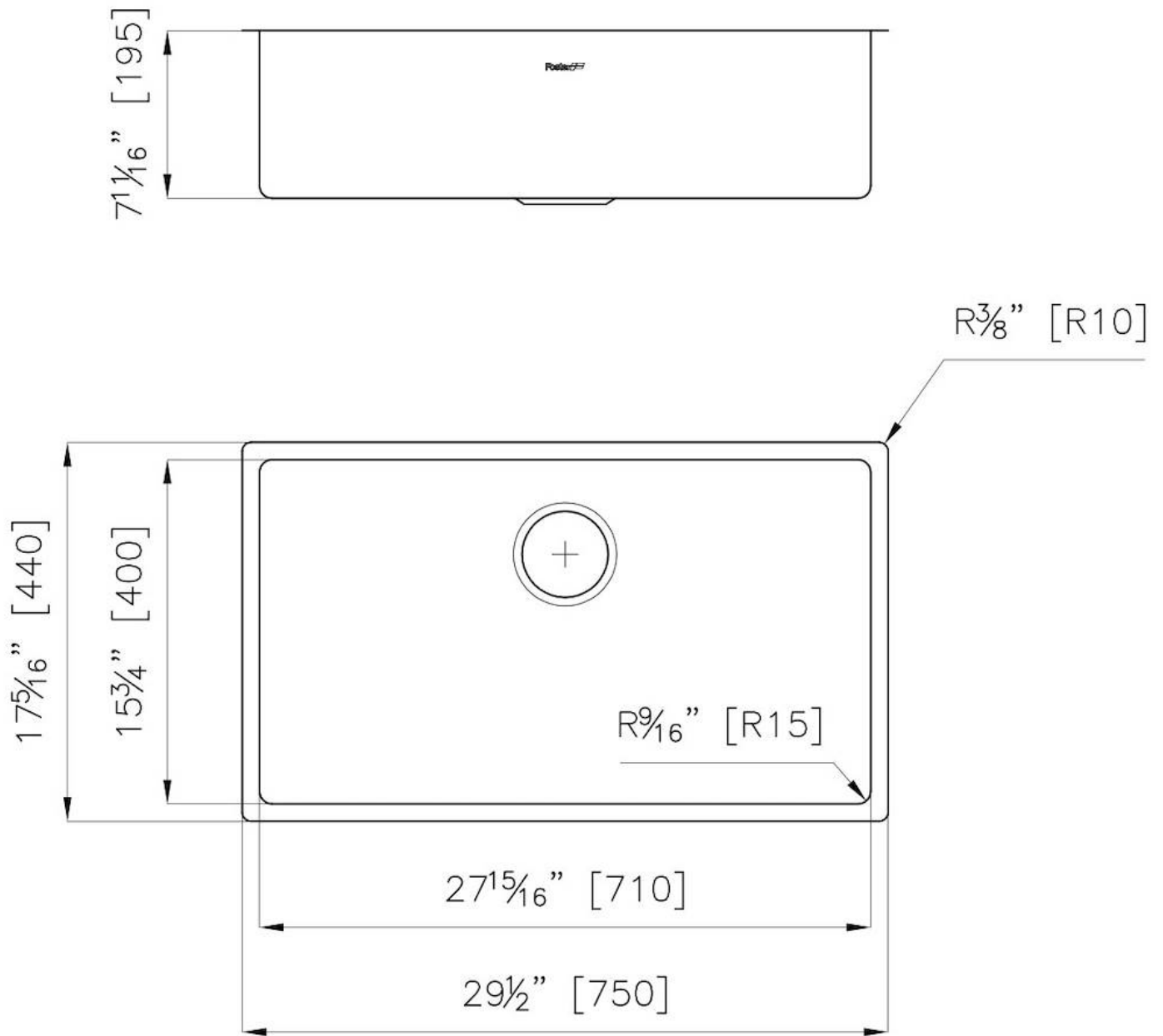
TECHNICAL DATA



Installation on top of worktop - FTS



Flush-mount installation - FT



GALLERY



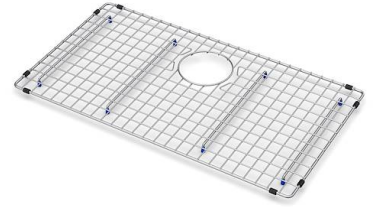
OPTIONAL ACCESSORIES



Chopping Board



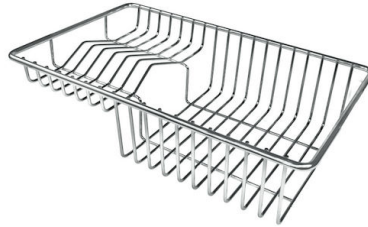
Grating kit complete with ring support and food collection tray



Grid



Iroko-wood sliding chopping board with stainless steel colander



Stainless Steel dishes holder



Stainless steel perforated pan



Twin Chopping Board



Waste disposer throat



White bowl

RECOMMENDED PAIRINGS



Faucet Ponza



Milano Cooktop 4 burners inLine



Milano Induction Cooktop 2 Plate