



KE Sink Copper 30" x 18" – U/M

Kitchen Sinks

Code: 2157 868

PVD Copper
AISI 304 Stainless steel
Foster brushed
Undermount



DETAILS

Series	KE
Coloring	Copper
Finish	PVD
Material	AISI 304 stainless steel
Texture	Foster brushed
Edge/Installation Type	Undermount
Thickness	18 Gauge (1.2 mm)
Overall dimensions	29 1/2" x 17 5/16"

Bowl dimension 1 bowl 27^{15/16"} x 15^{3/4"}

Bowls depth 7^{11/16"}

Cut out 27^{15/16"} x 15^{3/4"}

Waste fitting type 3^{1/2"} - with stainless steel basket

Underside Protected with heavy duty undercoating

Fixing system Undermount fixing kit (brass insert and clips)

FEATURES

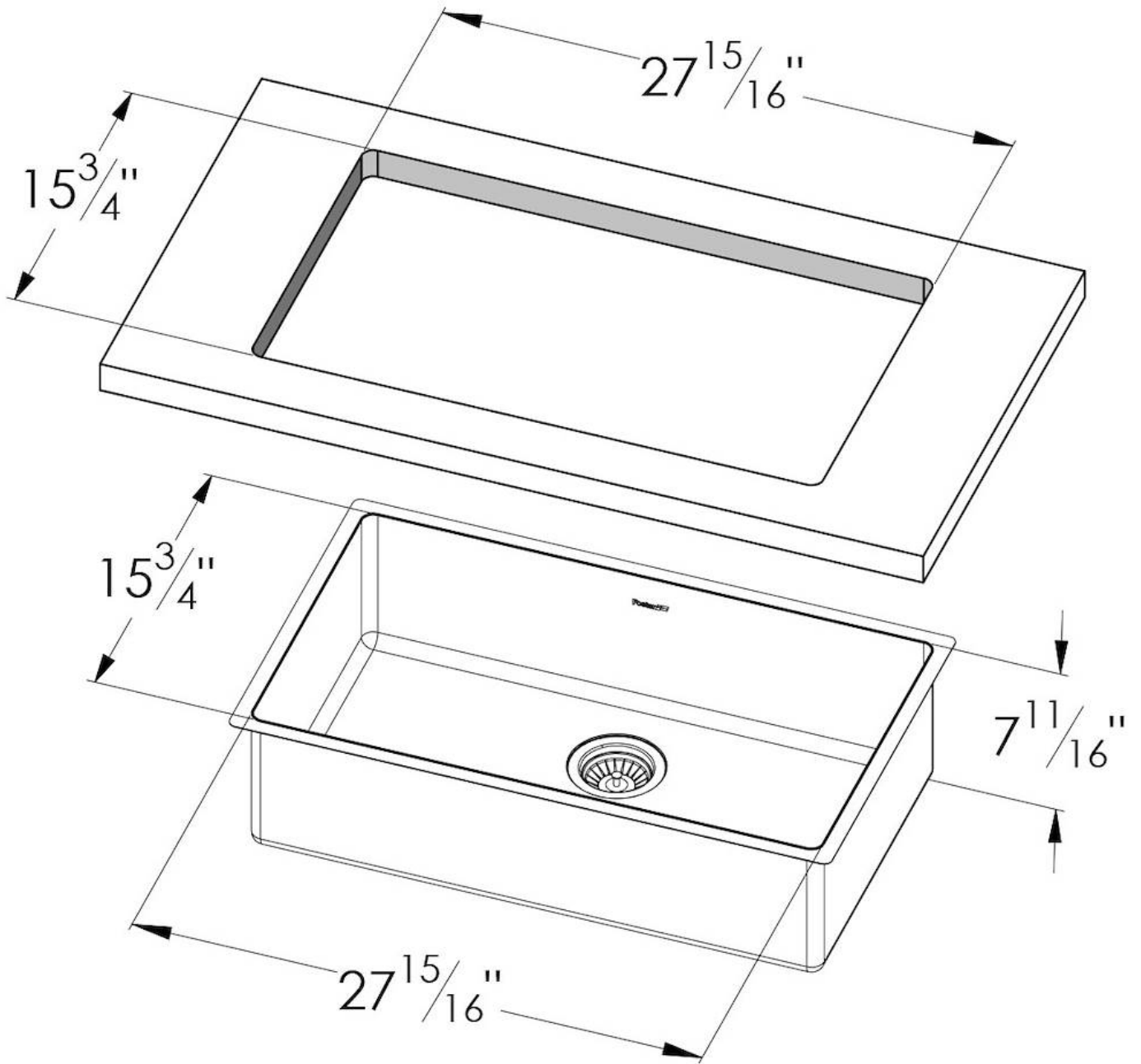
COPPER The Copper finish is obtained by treating steel with a physical process called PVD (Physical Vacuum Deposition) which deposits particles of noble metals on the surface. The result is a unique and refined aesthetic effect, and an improvement of the mechanical properties of the steel which is more resistant to impact and scratches.

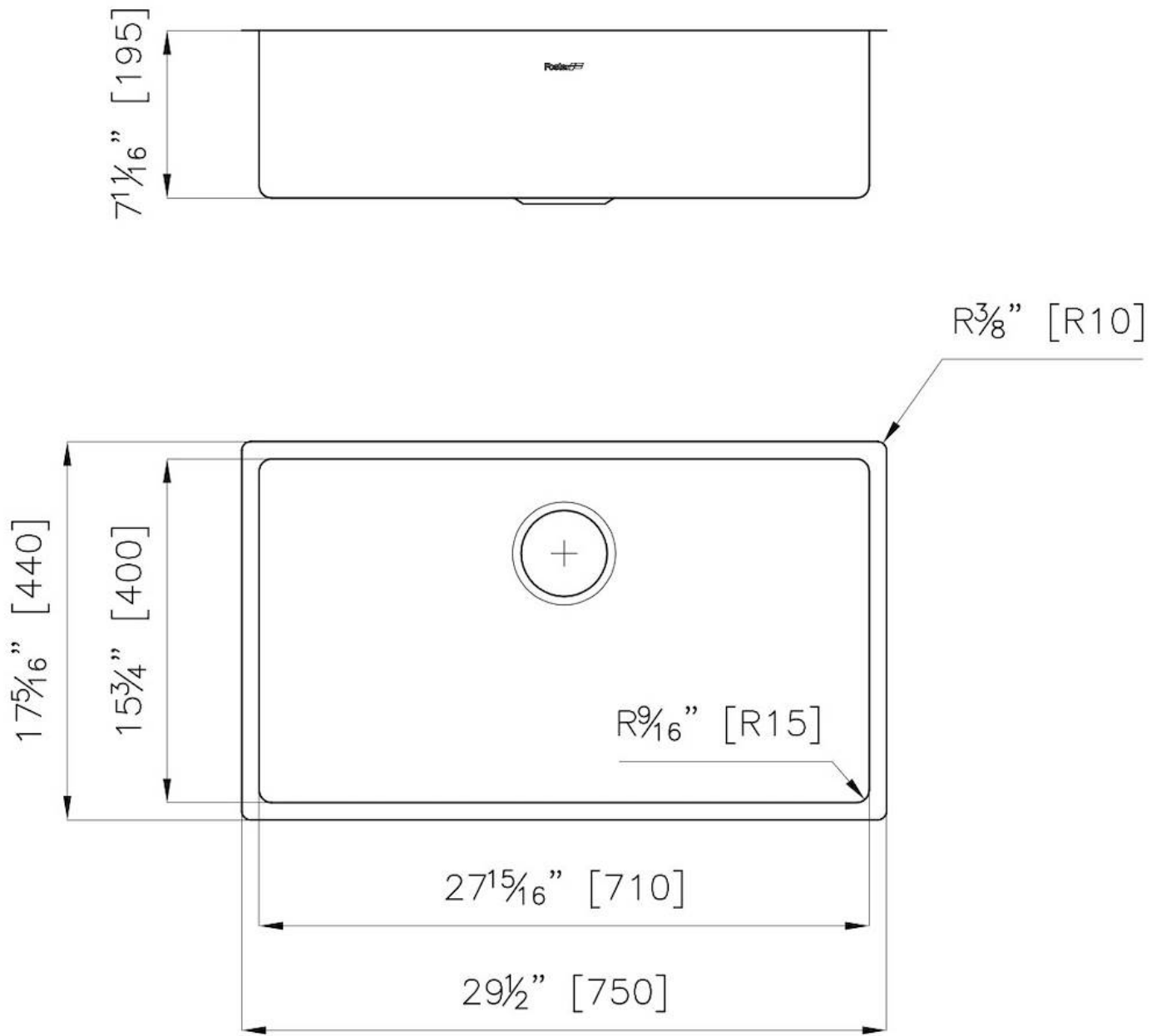
Basket 3,5" waste fitting The drain is equipped with a large 3.5" drain, with the practical basket cap that prevents the discharge of solid parts.

High thickness 1.2 1.2 mm thick steel. A significant thickness, which guarantees the maximum sturdiness and durability.

Small radius Bowls with squared shapes with a modern design and an increased capacity, for a minimal aesthetics connected with an extreme practicality.

TECHNICAL DATA





GALLERY



OPTIONAL ACCESSORIES



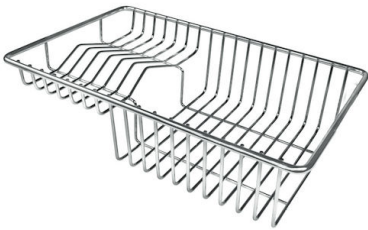
Chopping Board



Grating kit complete with ring support and food collection tray



Iroko-wood sliding chopping board with stainless steel colander



Stainless Steel dishes holder



Stainless steel perforated pan



Twin Chopping Board



Waste disposer throat PVD
Copper



White bowl

RECOMMENDED PAIRINGS



Faucet Capri Copper



Milano Cooktop Copper 4 burners inLine



Milano Induction Cooktop 2 Plate