

## KE Sink 30" x 17" – U/M



Kitchen Sinks

Code: 2157 863

AISI 304 Stainless steel  
Foster brushed  
Undermount



### DETAILS

<b>Series</b>	KE
<b>Material</b>	AISI 304 stainless steel
<b>Finish</b>	Foster brushed
<b>Edge/Installation Type</b>	Undermount
<b>Thickness</b>	18 Gauge (1.2 mm)
<b>Overall dimensions</b>	29 1/2" x 17 5/16"
<b>Bowl dimension</b>	1 bowl 27 15/16" x 15 3/4"
<b>Bowls depth</b>	8"

Cut out 27 <sup>15</sup>/<sub>16</sub>" x 15 <sup>3</sup>/<sub>4</sub>"

---

Waste fitting type 3 <sup>1</sup>/<sub>2</sub>" - with stainless steel basket

---

Underside Protected with heavy duty undercoating

---

Fixing system Undermount fixing kit (brass insert and clips)

---

## FEATURES

Basket 3,5" waste fitting The drain is equipped with a large 3.5" drain, with the practical basket cap that prevents the discharge of solid parts.

---

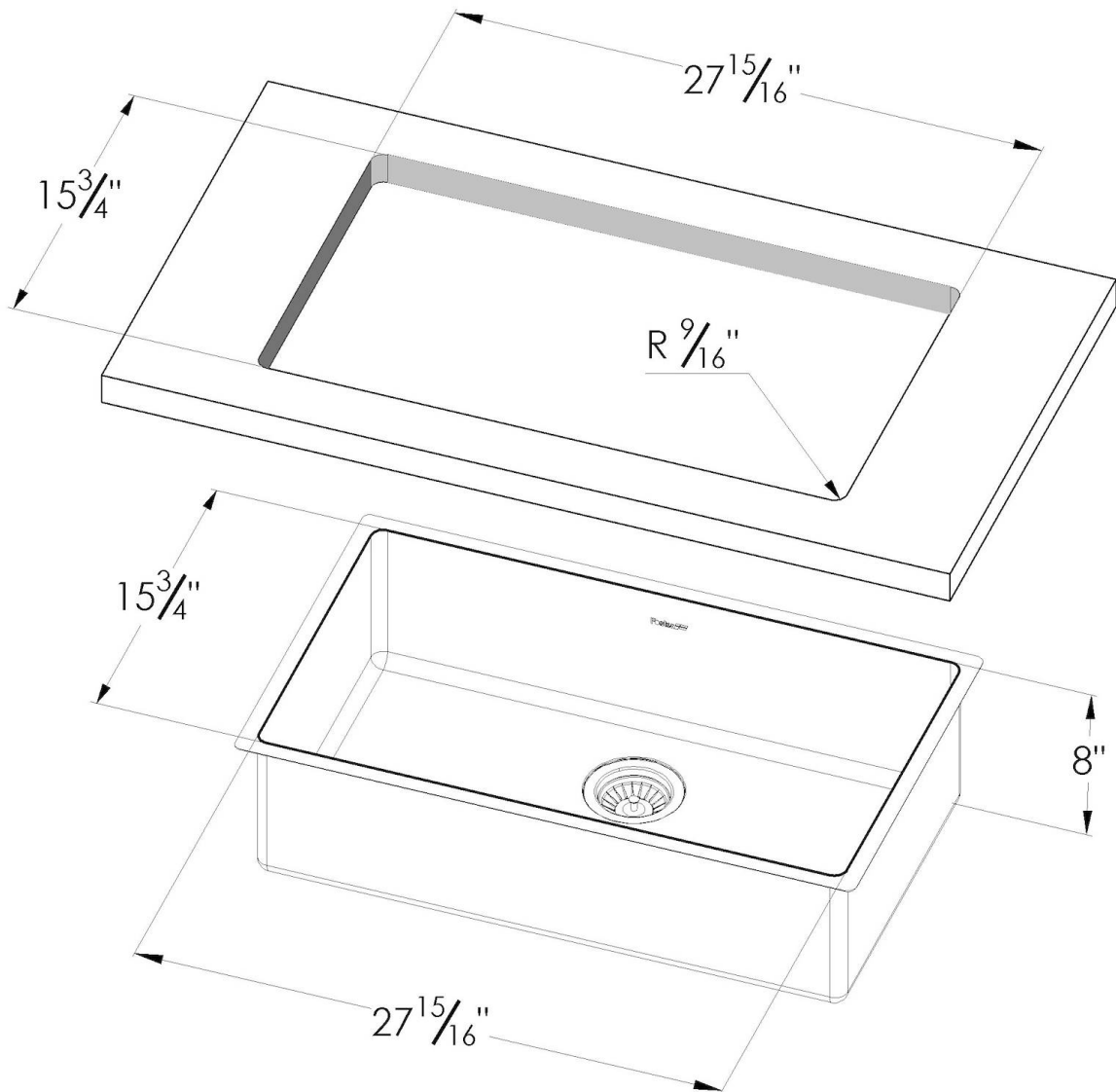
High thickness 1.2 1.2 mm thick steel. A significant thickness, which guarantees the maximum sturdiness and durability.

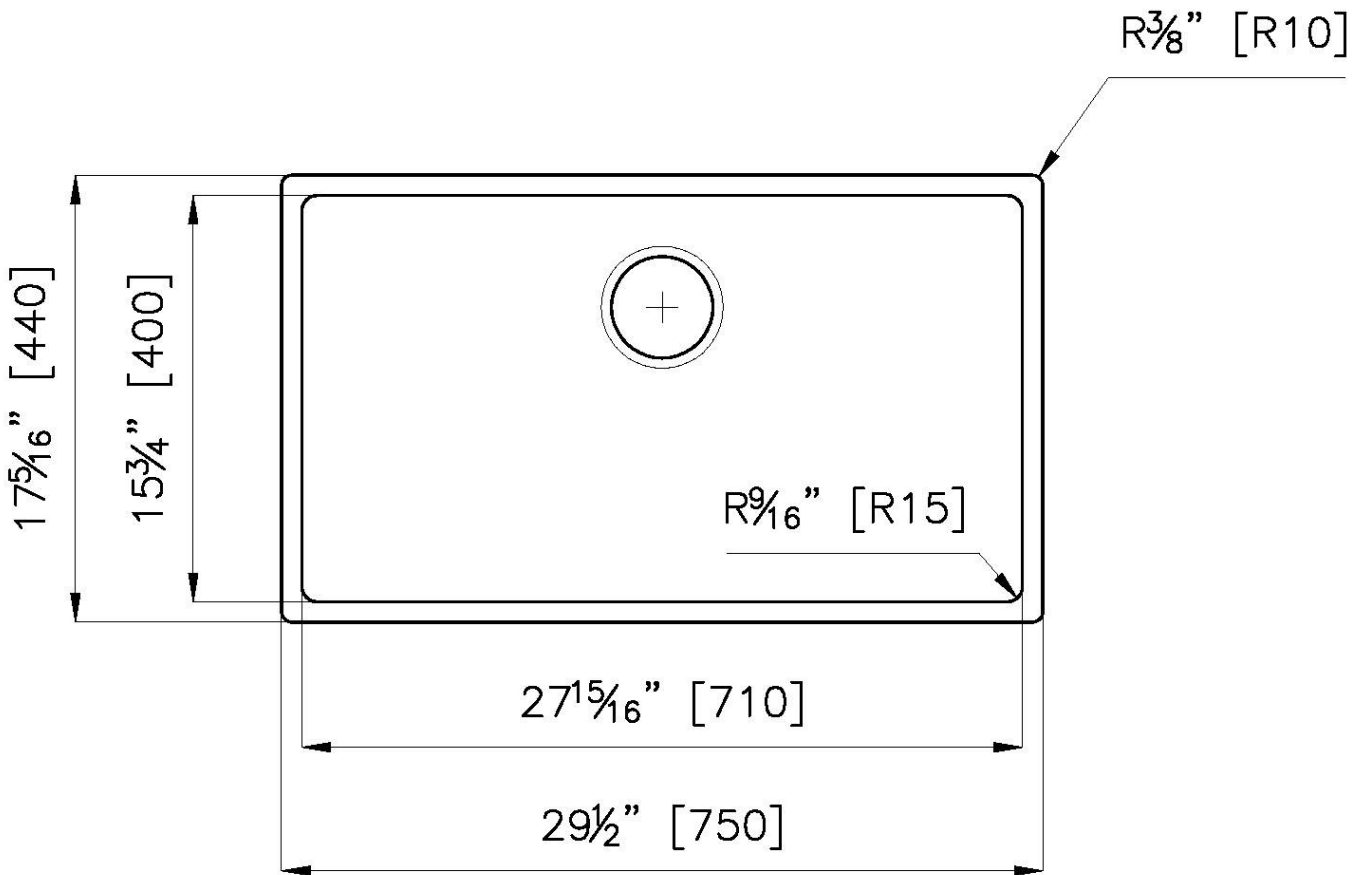
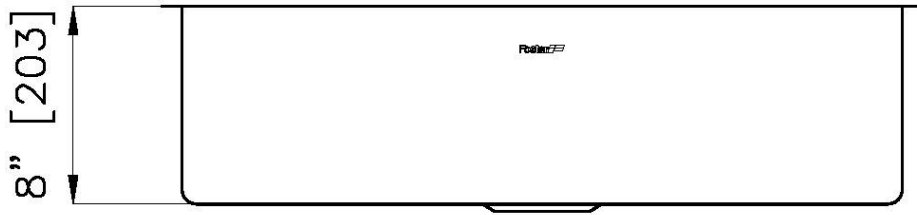
---

Small radius Bowls with squared shapes with a modern design and an increased capacity, for a minimal aesthetics connected with an extreme practicality.

---

## TECHNICAL DATA





## GALLERY



## OPTIONAL ACCESSORIES



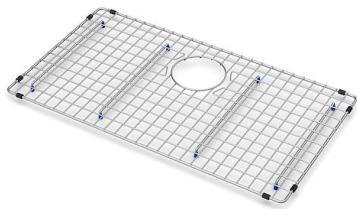
**Black grid**  
8100 653



**Chopping Board**  
8631 300



**Grating kit complete with ring support and food collection tray**  
8159 101  
\* only in combination with the accessory  
8644 101



**Grid**  
8100 404



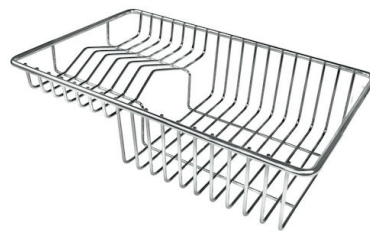
**HDPE Chopping board**  
8657 001



**HDPE Chopping board GREY**  
8657 002



**Iroko-wood sliding chopping board with stainless steel colander**  
8644 044



**Stainless Steel dishes holder**  
8100 303  
\* only in combination with the accessory  
8644 101



**Stainless steel perforated pan**  
8151 000  
\* only in combination with the accessory  
8644 101



**Twin Chopping Board**  
8644 101



**Waste disposer throat**  
8669 043



**White bowl**  
8153 100

## RECOMMENDED PAIRINGS



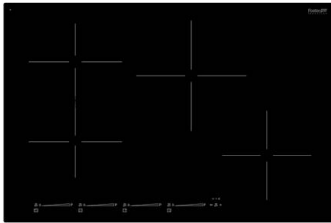
**Faucet Capri**  
8467 005



**Faucet Capri | Satin finish**  
8467 105



**Milano Cooktop 5 burners**  
7638 900



**Induction Cooktop 30"**  
7371 947