

## Ghost Hood 48"

Hoods

Code: 2451 947



Satin finish  
Grease filter: 2 filters in anodized aluminium  
Optional charcoal filters  
External Motor



### DETAILS

Hood type Table suction hood

---

Hood finishing Satin Finish AISI 304 Stainless Steel + Black glass

---

**Dimensions** 46<sup>1</sup>/<sub>4</sub>" x 4<sup>23</sup>/<sub>32</sub>"

---

Control type Touch Control

---

Speed 4 speed

---

Grease filters Anodized Aluminum

---

Charcoal filters Optional

---

Lighting 1x15.5 W LED Strip

---

Delay off timer Yes

---

Light switch Yes

---

Air Outlet Yes

---

**Motor** external

---

Electrical supply 120VAC – 60Hz

---

Overmount installation Cut Out  $44^{61/64}'' \times 3^{15/16}''$

---

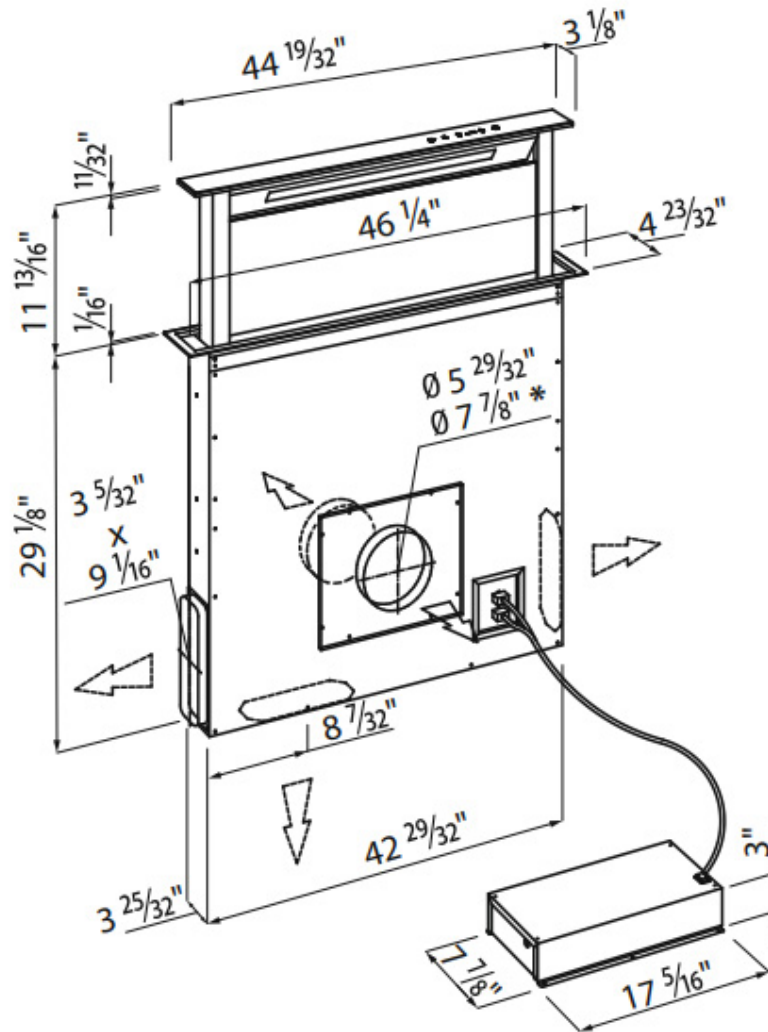
Flush-mount installation Cut Out See Technical Specs

---

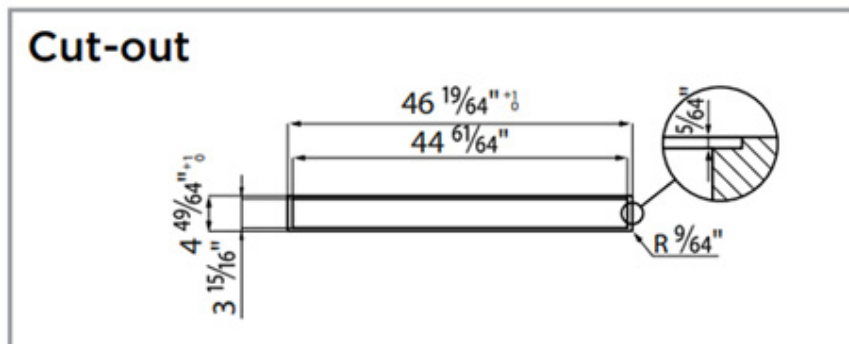
**Notes:** For proper operation of this product, it is essential to combine it with 2459 931 or 2459 941.

---

## TECHNICAL DATA



\* accessory outlet  $\varnothing 7 \frac{7}{8}$ "



## GALLERY



## RECOMMENDED PAIRINGS



Motor for indoor installation



Motor for outdoor installation