



Milano Island Hood

Hoods

Code: 2455 901

Island suction hood
Satin finish stainless steel
4 speed
Aluminium die-cast motor housing



DETAILS

Hood type Island suction hood

Hood finishing Satin Finish stainless steel

Dimensions
2454 901 (36"): 35.4" x 23.6" x min 33.5" / max 46.8"
2455 901 (48"): 47.2" x 23.6" x min 33.5" / max 46.8"

Control type Button panel

Speed 4 speed

Grease filters Filter in anodized aluminium (5+1 layers)

Charcoal filters Optional

Lighting 4 x 2.1W Led spotlight - 4,000°K

Delay off timer Yes

Light switch Yes

Air Outlet \varnothing 5 ^{29/32}"

Model Aluminium die-cast motor housing

Air flow rate 600 CFM

Pressure 480 Pa

Noise level 64 dBA

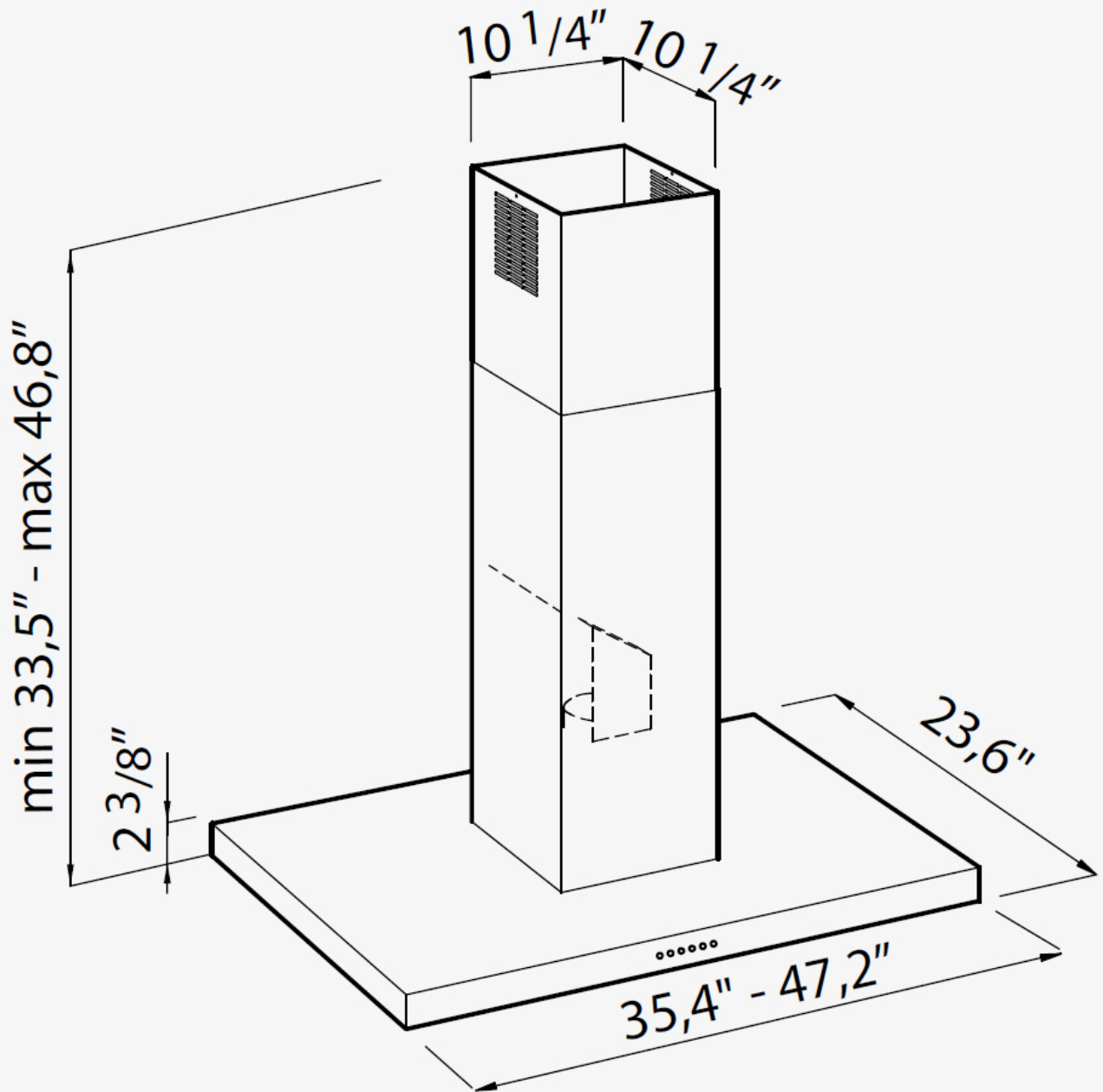
Electrical requirements 120VAC – 60Hz

Max Amp usage, power rating 4A

Certifications CSA Certified for US & Canada

Accessories 2454 901 (36"): Charcoal filters kit - 9700 901
2455 901 (48"): 2x Charcoal filters kit - 9700 901

TECHNICAL DATA



GALLERY

