

Hood Quadra 32"



Hoods

Code: 2458 901

Wall-mounted suction hood
Satin finish stainless steel
4 speed
EBM Dual motor



DETAILS

Material AISI 304 stainless steel

Texture Satin

Dimensions 33 ³/₄" x 16"

Cut out 32 ¹³/₃₂" x 16 ³/₁₆"

Control type Button panel

Speed 4 speed

Grease filters commercial style baffle filters

Charcoal filters Optional

Lighting 2x4W Led spotlight - 5,000°K

Delay off timer Yes

Light switch Yes

Extractable oil collector Yes

Air Outlet \varnothing 8"

Motor

Air flow rate 1100 CFM

Pressure 800 Pa

Noise level 66 dBA

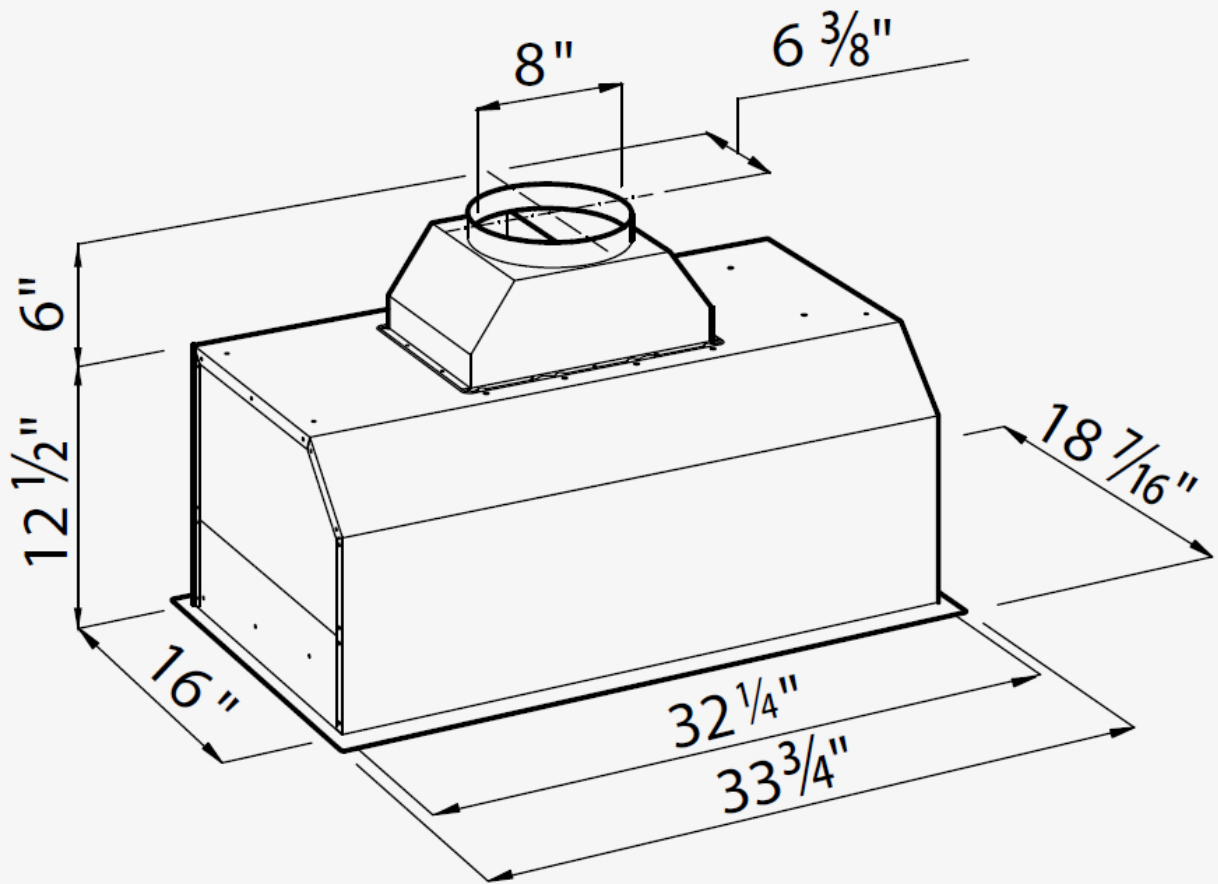
Electrical requirements 120VAC – 60Hz

Max Amp usage, power rating 8A

Accessories Charcoal filters kit - 9700 900

Certifications CSA Certified for US & Canada

TECHNICAL DATA



GALLERY

