

## Quadra Hood 27.5"

Hoods

Code: 2458 911

Satin finish

Grease filter: commercial style ba<sup>2</sup>e filters

Optional charcoal filters

Aluminium die-cast motor housing



### DETAILS

Hood type Built-in suction hood

---

Hood finishing Satin Finish

---

**Dimensions** 26<sup>21/32</sup>" x 10<sup>1/4</sup>"

---

Cut out 26<sup>57/64</sup>" x 10<sup>14/32</sup>"

---

Speed 4 speed

---

Grease filters Commercial style baffle

---

Charcoal filters Optional

---

Lighting 2 x 20W Dichroic lamps

---

Delay off timer Yes

---

Light switch Yes

---

**Motor** Aluminium die-cast motor housing

---

Air flow rate 600 CFM

---

Pressure 620 Pa

---

Noise level 63 dBA/4.9 sones

---

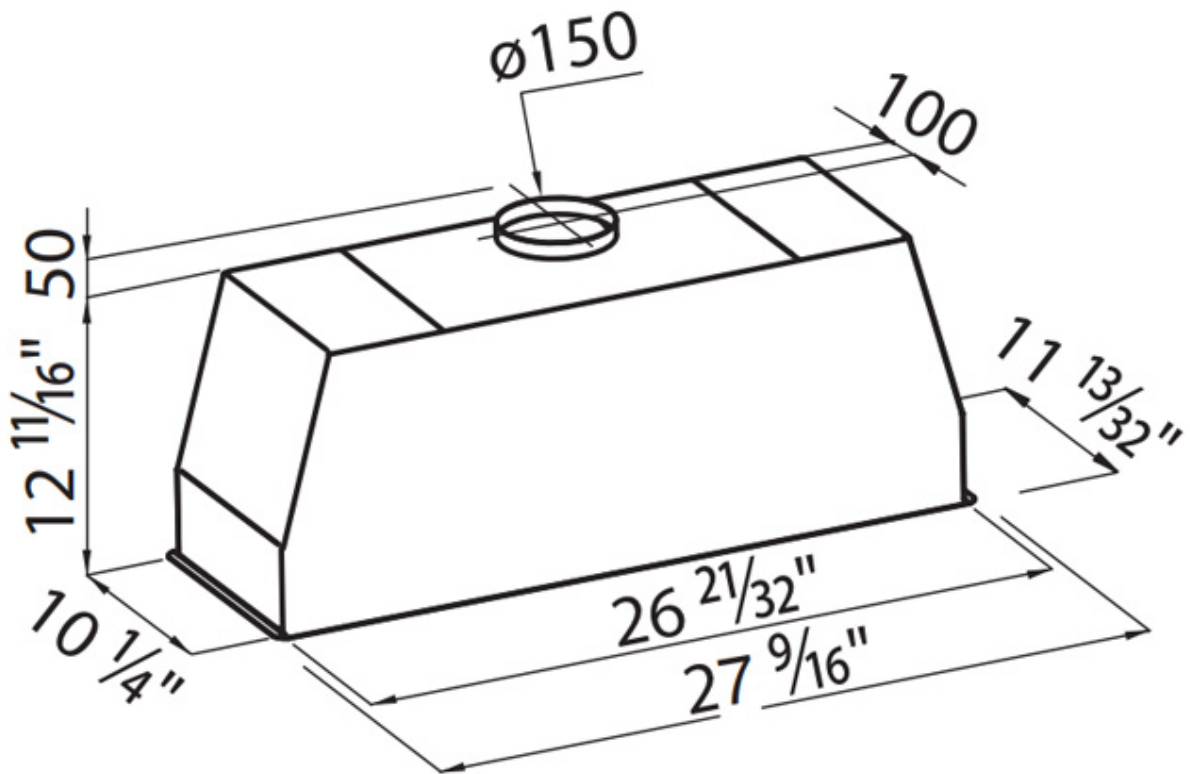
Electrical requirements 120VAC – 60Hz

---

**Accessories** 9700 728 - Carbon filter kit

---

## TECHNICAL DATA



## GALLERY

