

Hood Quadra

Hoods

Code: 2458 931



Wall-mounted suction hood
Satin finish stainless steel
4 speed
EBM Dual motor



DETAILS

Material AISI 304 stainless steel

Texture Satin

Hood type Built-in suction hood

Dimensions
2458 921 (33"): 32^{15/32}" x 11^{27/64}" x 13^{25/32}"
2458 931 (20"): 20^{15/32}" x 11^{27/64}" x 13^{25/32}"

Cut out
2458 921 (33"): 32^{7/8}" x 10^{14/32}"
2458 931 (20"): 19^{19/32}" x 10^{14/32}"

Control type Button panel

Speed 4 speed

Grease filters Commercial style baffle

Charcoal filters Optional

Lighting 2458 921 (33") - 10.5W Led Bar 4,200°K
2458 931 (20") - 6.5W Led Bar 4,200°K

Delay off timer Yes

Light switch Yes

Extractable oil collector Yes

Motor

Air flow rate 600 CFM

Pressure 650 Pa

Noise level 50 dBA

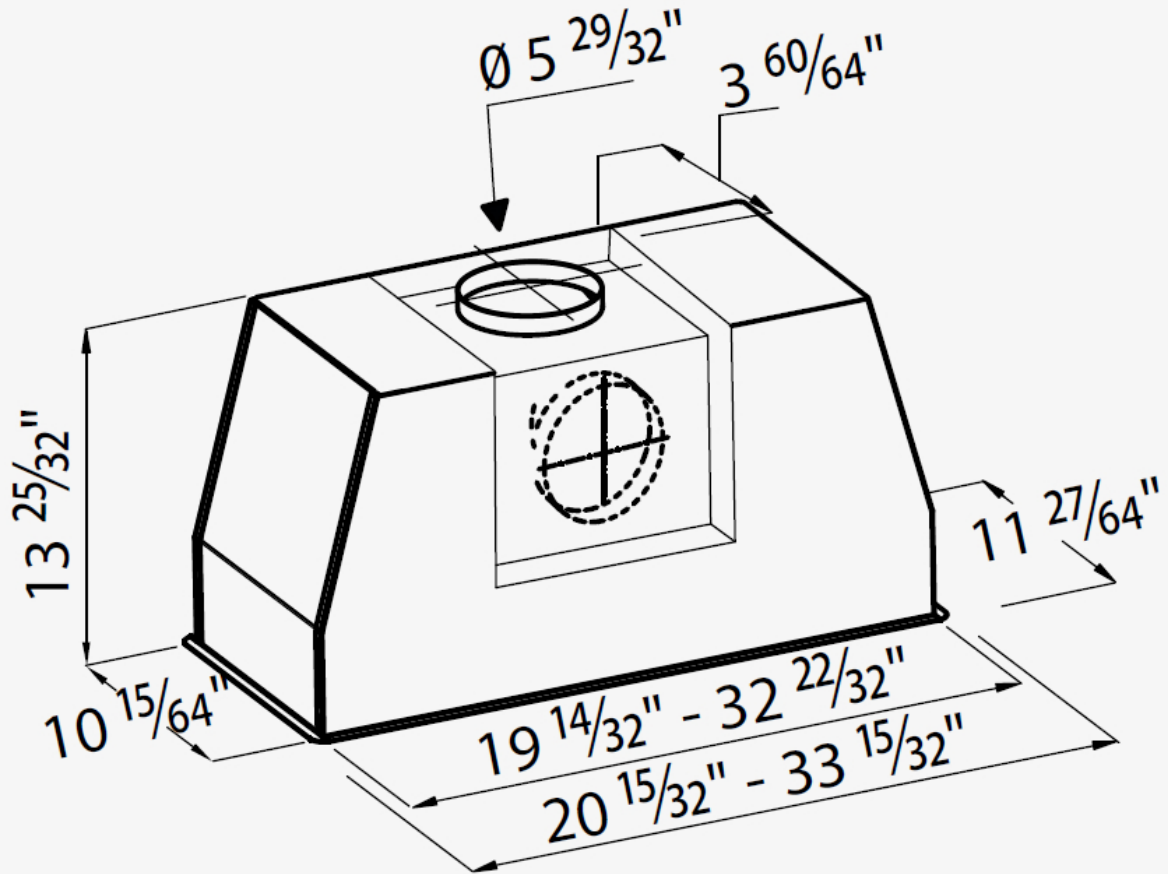
Electrical requirements 120VAC – 60Hz

Max Amp usage, power rating 8A

Accessories (x2) 9700 721 - Carbon filter kit

Certifications CSA Certified for US & Canada

TECHNICAL DATA



GALLERY

