

Fly Hood 44" - 2459 921

Hoods

Code: 2459 921

Ceiling suction hood
Satin finish stainless steel
4 speed
Remote control



DETAILS

Hood type Ceiling suction hood

Hood finishing Satin Finish stainless steel

Dimensions 43 5/16" x 27 9/16"

Control type Remote control

Speed 4 speed

Grease filters Filter in anodized aluminium (5+1 layers)

Charcoal filters Optional

Lighting 4 x 2.1W Led spotlight - 4,000°K

Delay off timer Yes

Light switch Yes

Air Outlet $\varnothing 5^{29/32}$ "

Motor Not included - External motor required

Electrical requirements 120VAC – 60Hz

Max Amp usage, power rating 3.7 A

Notes:

False ceiling Required

Minimum height 10 ⁵/₈"

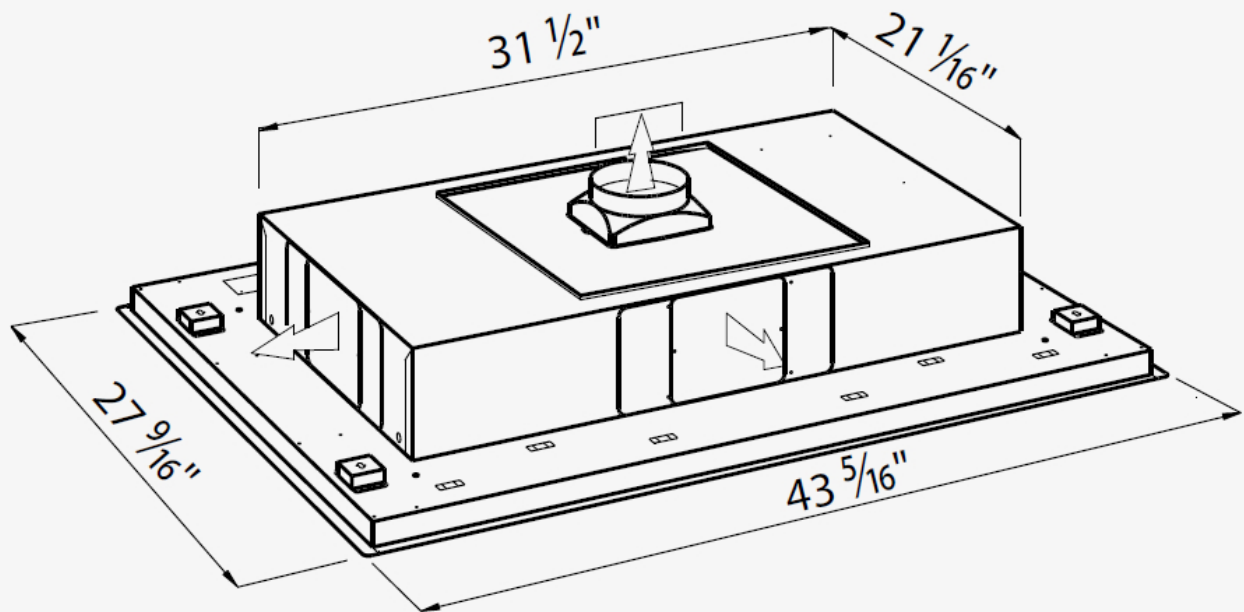
Niche cut out 41 ⁵⁹/₆₄"X 26 ¹²/₆₄"

Accessories 2x Charcoal filters kit - 9700 901

Certifications CSA Certified for US & Canada

Notes: For proper operation of this product, it is essential to combine it with 2459 931 or 2459 941.

TECHNICAL DATA



RECOMMENDED PAIRINGS



Motor for indoor installation -
2459 941



Motor for outdoor installation -
2459 931