

Motor for outdoor installation

Hoods accessories

Code: 2459 931

An external element of the hood, it is a basic requirement for operation



DETAILS

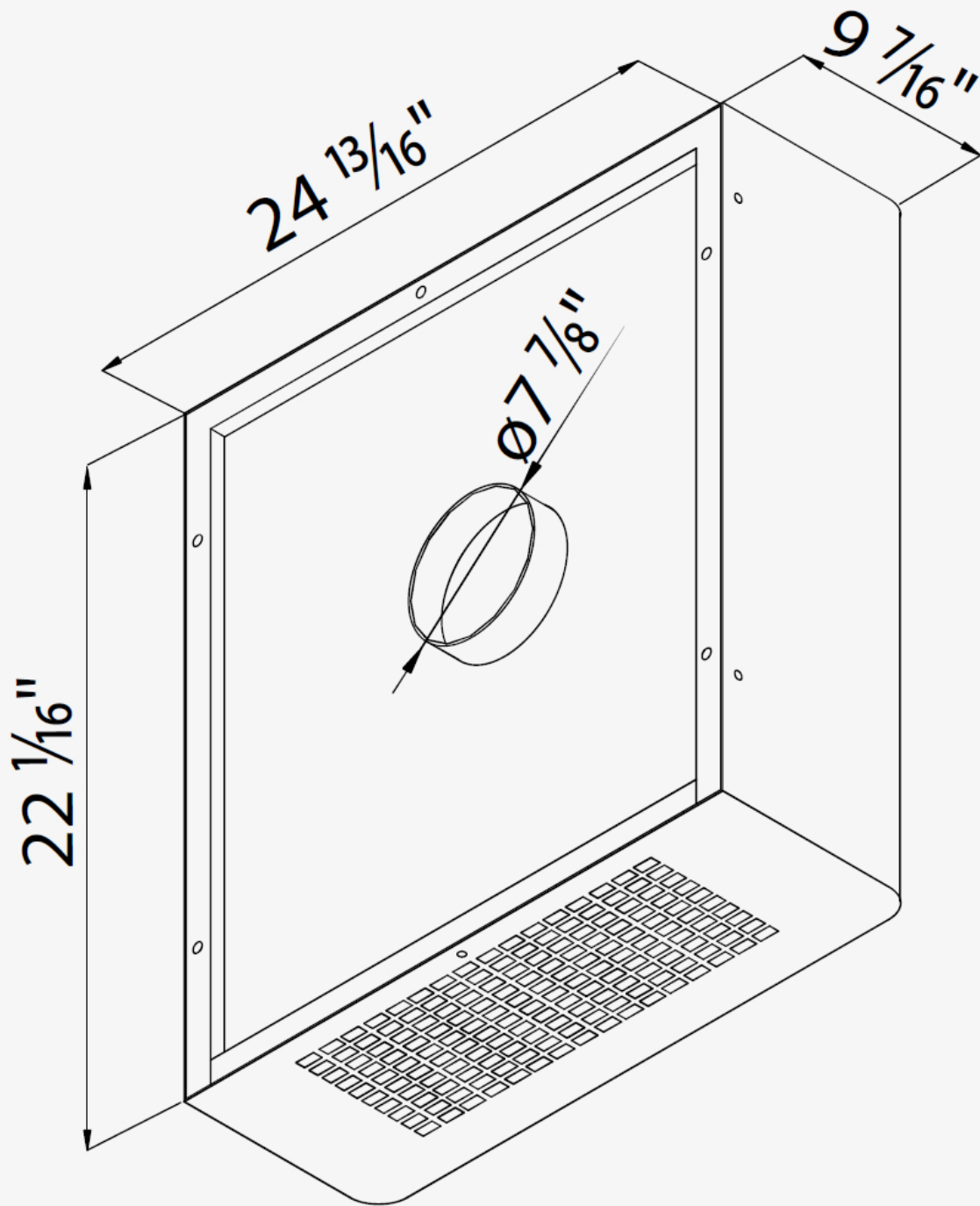
Air flow rate 1100 CFM - EBM

Absorption 420w

Pressure 920 Pa

Noise level 65 dbA

TECHNICAL DATA



GALLERY



RECOMMENDED PAIRINGS



Fly Hood 44"



Fly Hood 60"



Ghost Hood 48"



Mistral Hood 36"