

Motor for indoor installation

Hoods accessories

Code: 2459 941

An external element of the hood, it is a basic requirement for operation



DETAILS

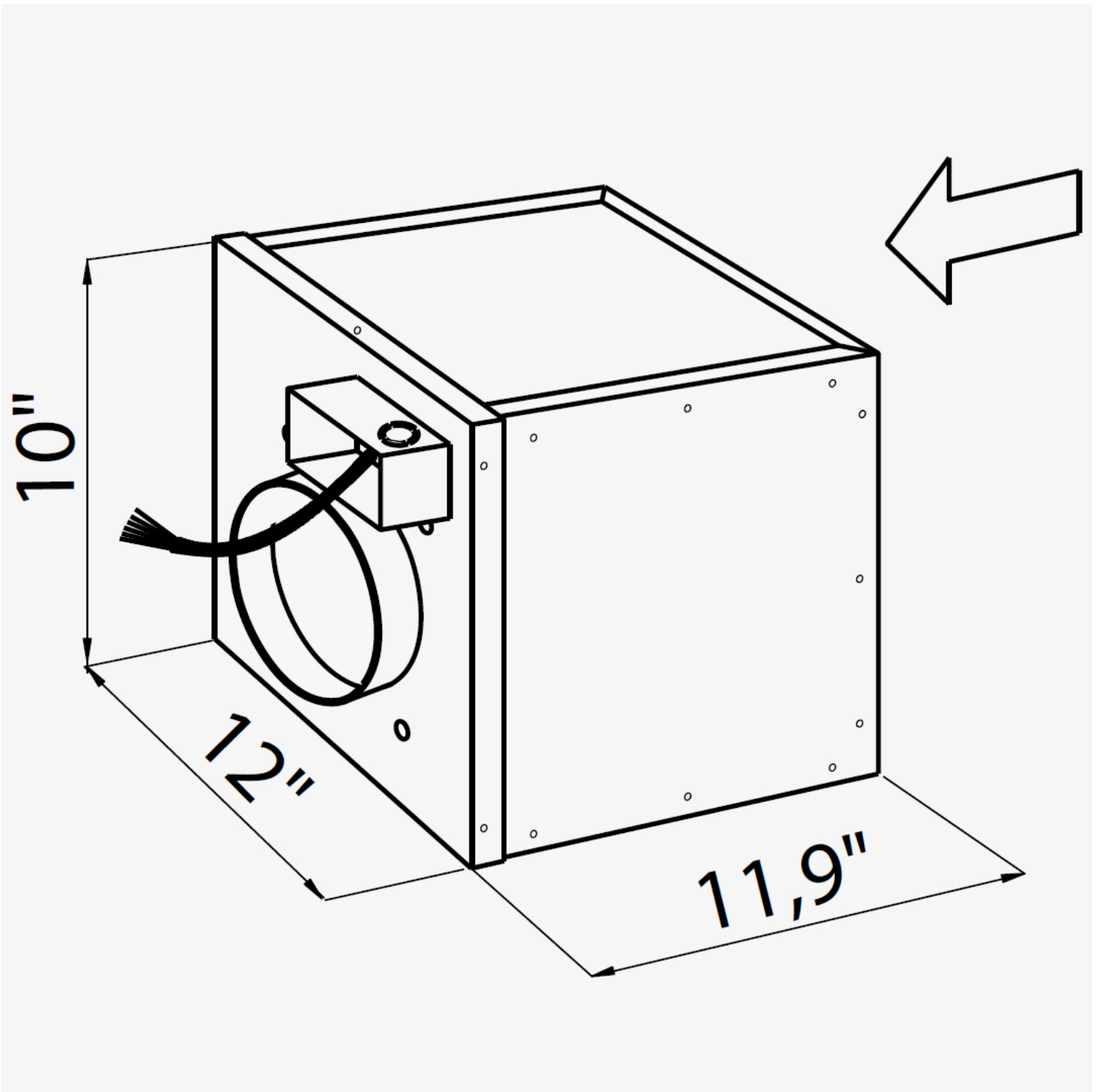
Air flow rate 600 CFM

Pressure 680 Pa

Noise level 64 dBA

Air Inlet $\varnothing 5 \frac{29}{32}''$ round

TECHNICAL DATA



GALLERY



RECOMMENDED PAIRINGS



Fly Hood 44"



Fly Hood 60"



Ghost Hood 48"



Mistral Hood 36"