

Motor for indoor installation

Hoods accessories

Code: 2459 941

An external element of the hood, it is a basic requirement for operation



DETAILS

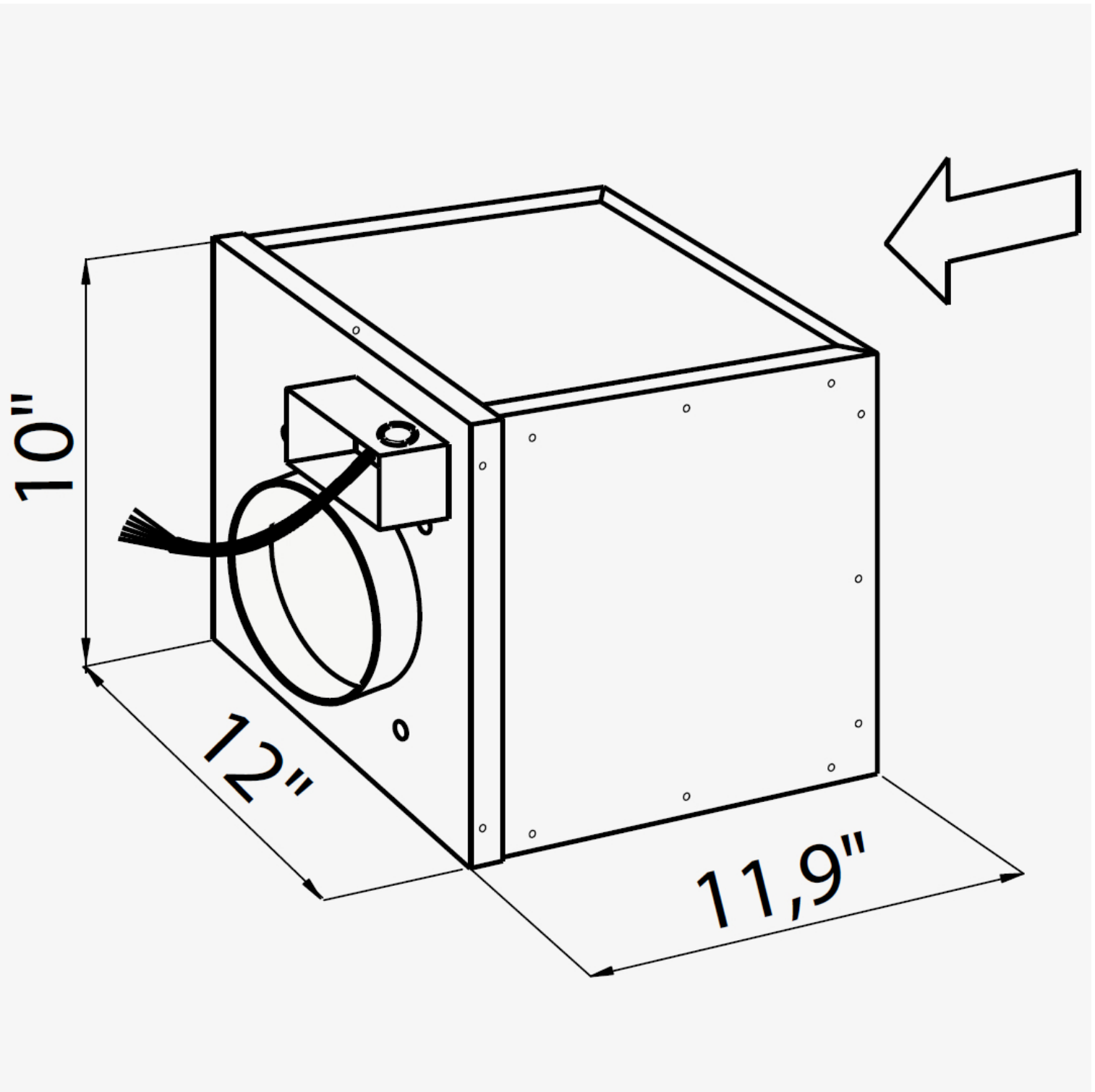
Air flow rate 600 CFM

Pressure 680 Pa

Noise level 64 dBA

Air Inlet $\varnothing 5 \frac{29}{32}$ " round

TECHNICAL DATA



RECOMMENDED PAIRINGS



Fly Hood 44"
2459 921



Fly Hood 60"
2459 911



Ghost Hood 48"
2451 947