

Mistral Hood 36"

36" Satin finish stainless steel

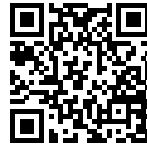
Hoods

Code: 2464 901

Ceiling suction hood

4 speed

Remote control



DETAILS

Required pairings For this product to work, it is essential to combine it with 2459 931 or 2459 941

Hood type Ceiling suction hood

Hood finishing 2464 901: Satin Finish stainless steel
2464 951: White painted steel

Dimensions 35⁷/₁₆" x 17²¹/₆₄"

Cut out 34¹/₁₆" x 15¹⁵/₁₆"

Lighting 2x6.5W LED Strip

Control Remote

Delay off timer Yes

Motor Not included - External motor required

Motor Speed 4 speed functioning

Electrical requirements 120VAC – 60Hz

Notes:

False ceiling Required

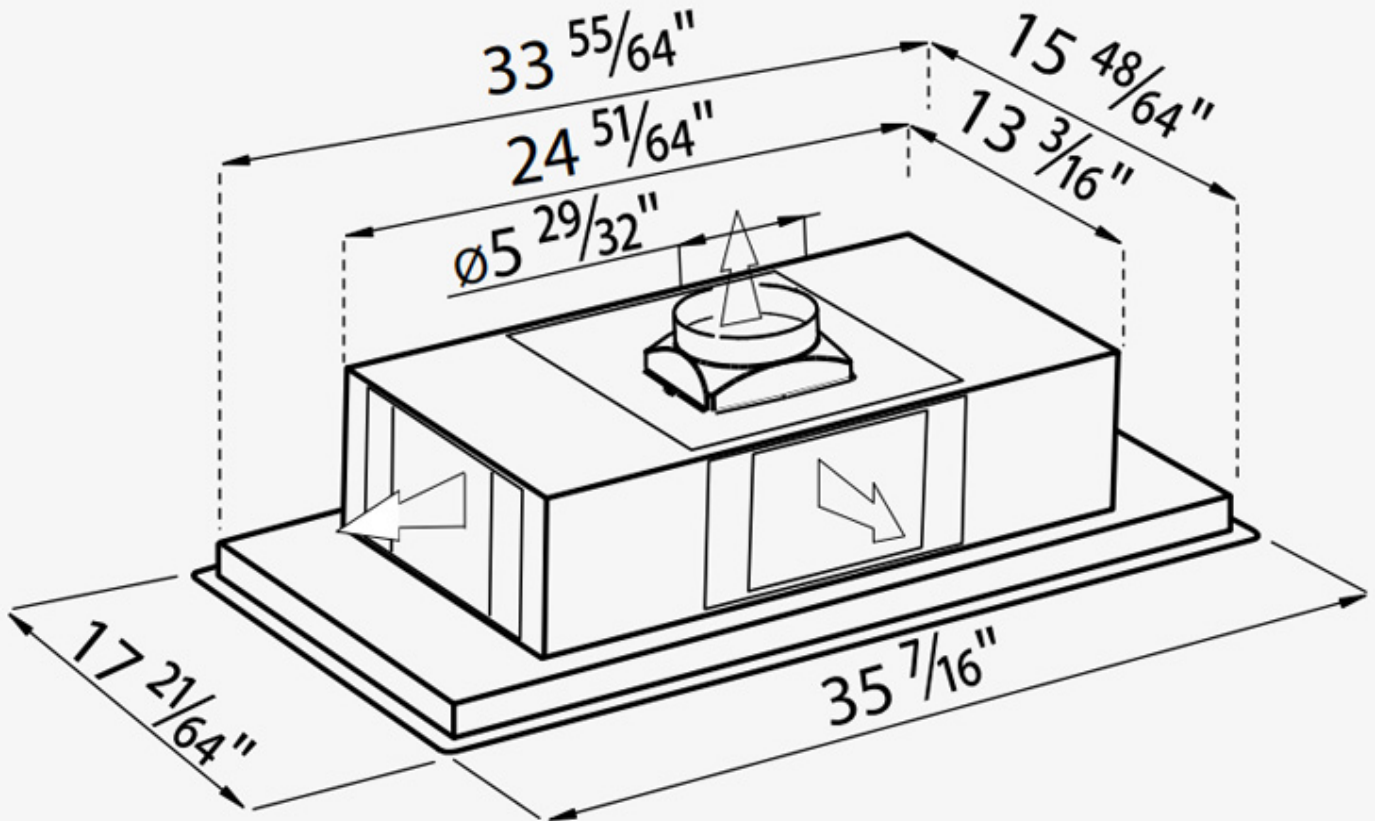
Minimum height 10 ⁵/₈"

Accessories Charcoal filters kit - 9700 901

Certifications CSA Certified for US & Canada

Notes: For proper operation of this product, it is essential to combine it with 2459 931 or 2459 941.

TECHNICAL DATA



GALLERY



RECOMMENDED PAIRINGS



Motor for indoor installation
2459 941



Motor for outdoor installation
2459 931