

## Equipped troughs 42" - U/M

Equipped troughs

Code: 3026 660



### DETAILS

Edge/Installation Type	Undermount
Material	AISI 304 stainless steel
Texture	Satin
Finish	Foster brushed
External dimensions	43" x 7"
Internal dimensions	42" x 4 <sup>13/16"</sup>
Cut out	42" x 5 <sup>7/16"</sup>
Length	7 unit
Standard fittings	Equipped troughs fixing kit (brass insert and screws)

Waste fitting

1¼" drain

---

Key to understanding the accessories

The lengths of the channels and accessories are indicated in "units"; for the composition, the sum of the "units" of the accessories must be the same as the length in "units" of the channel.

---

**Notes:**

The trough includes a stainless-steel bottle-opener that must be used as element to complete the accessories' composition

---

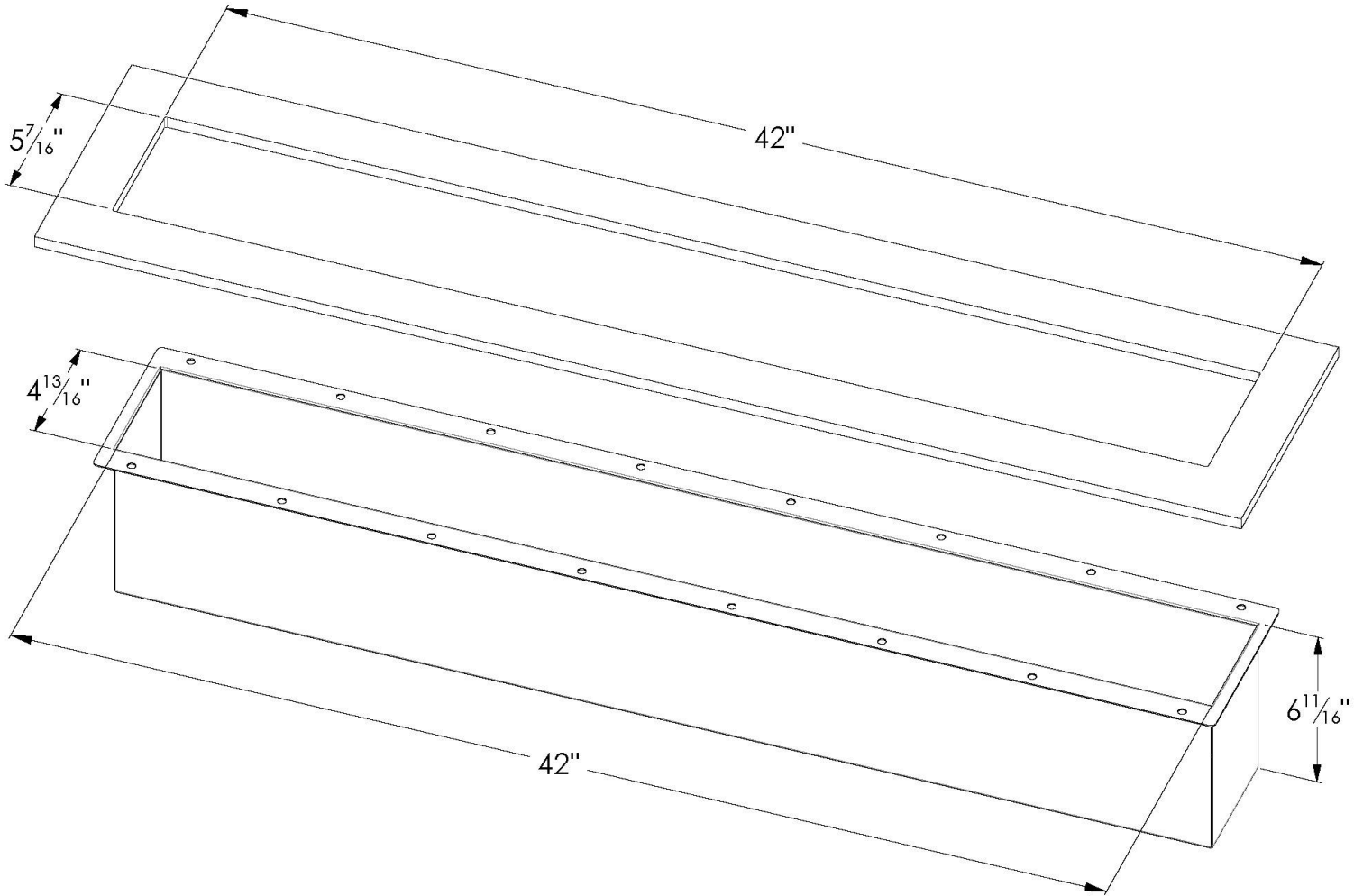
## FEATURES

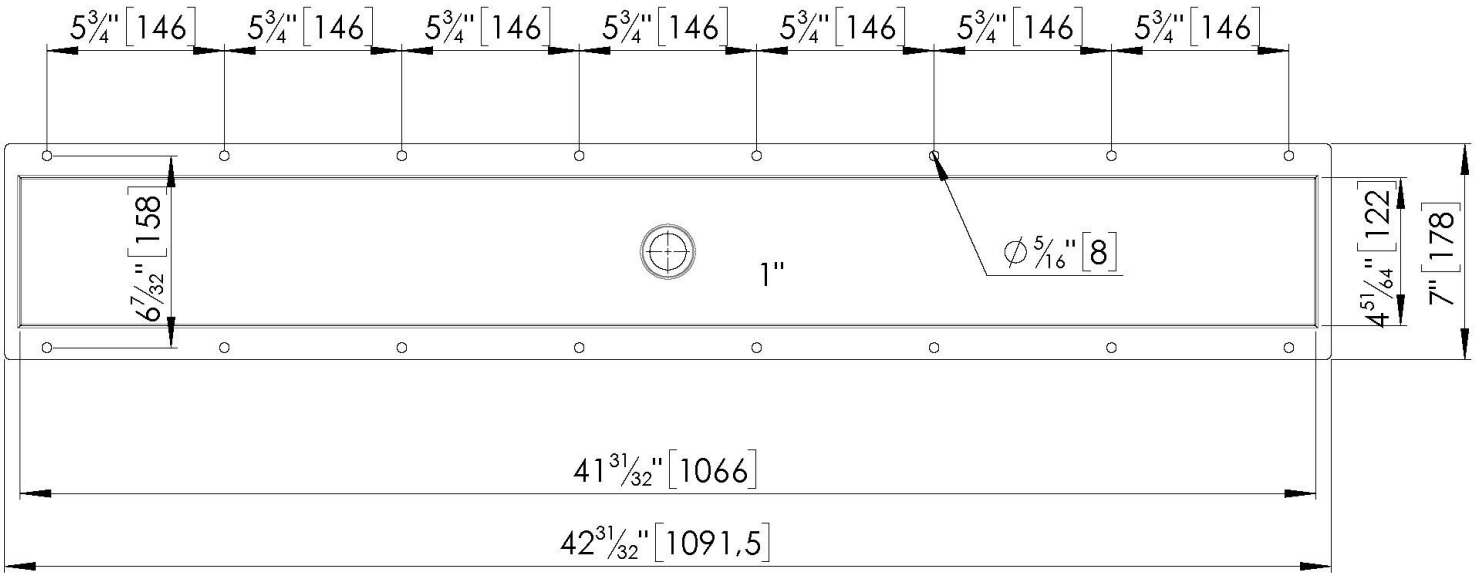
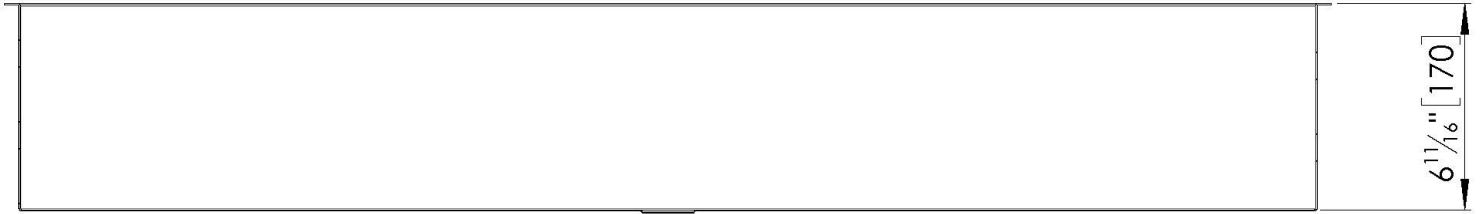
High thickness 1.2

1.2 mm thick steel. A significant thickness, which guarantees the maximum sturdiness and durability.

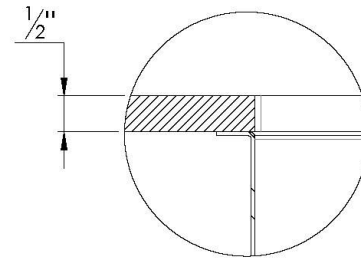
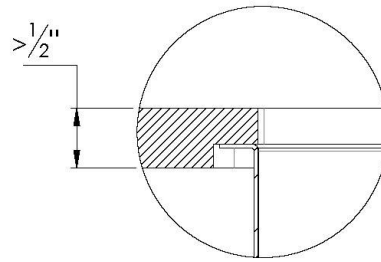
---

## TECHNICAL DATA

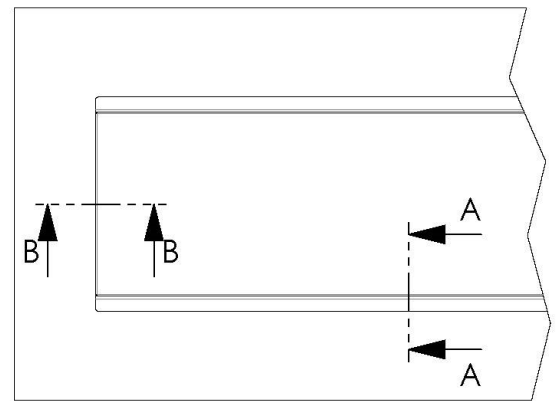
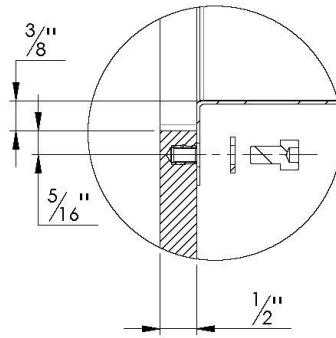
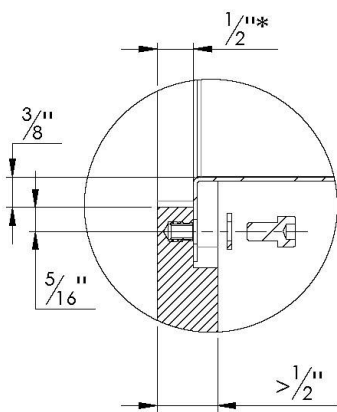




## Undermount



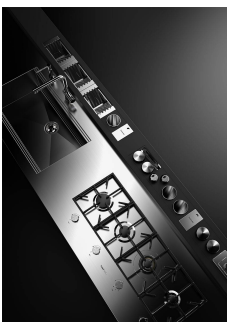
B - B:  
Installation detail



A - A:  
Installation detail with positive reveal and fixing system

\*reccomended thickness for a perfect match with the accessories

## GALLERY



## OPTIONAL ACCESSORIES



**Kit "A"**  
8100 703



**Kit "B"**  
8100 700



**Kit "C"**  
8100 701



**Kit "D"**  
8100 704



**Kit "E"**  
8100 705



**Kit "F"**  
8100 706



**Kit "G"**  
8100 710



**Kit "H"**  
8100 702



**Black drainer**  
8100 058



**Stainless steel perforated pan**  
8151 003



**Stainless steel knife holder**  
8100 712



**Stainless steel plate rack**  
1773 100