

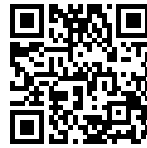
## Foster Milano Wash Station



Rangetop

Code: 3153 900

30" Michelangelo Sink fully integrated with a range top  
AISI 304 Stainless steel  
Satin finish  
Overmount  
x cross bending for easy water draining



### DETAILS

Series	Foster Milano
Finish	Foster brushed
Material	AISI 304 stainless steel
Texture	Satin
Thickness	16 Gauge (1.5 mm)
Overall dimensions	47 <sup>7</sup> / <sub>8</sub> " x 27"
Bowls dimensions	1 bowl 30" x 16 <sup>17</sup> / <sub>32</sub> "
Bowl depth	10"

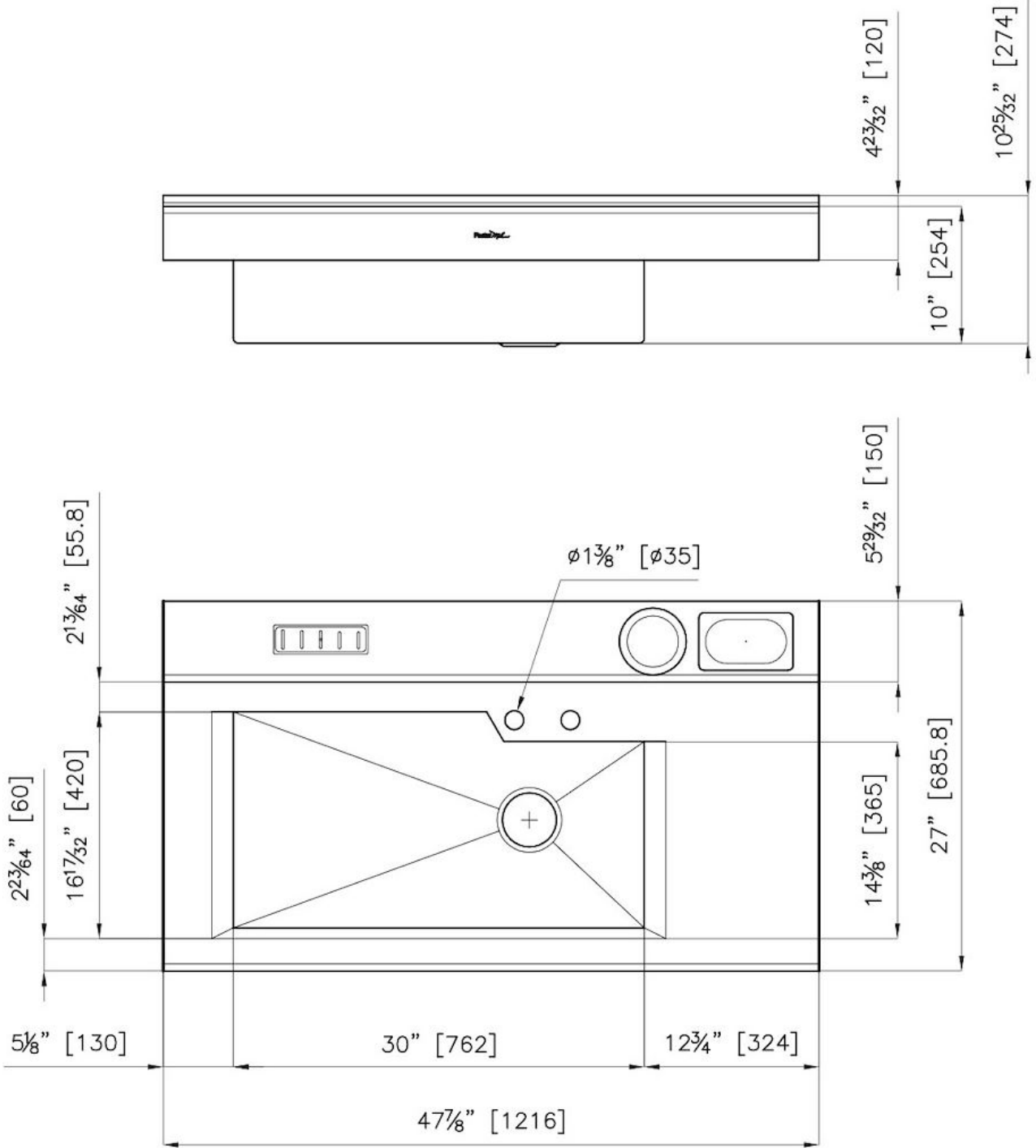
Cut out	44 <sup>23/32"</sup> x 25 <sup>13/16"</sup>
Waste fitting type	3 1/2" - with stainless steel basket
Bowls bottom	X cross bending for easy water draining
Underside	Protected with heavy duty undercoating
Fixing system	Fixing kit (brass insert and clips)

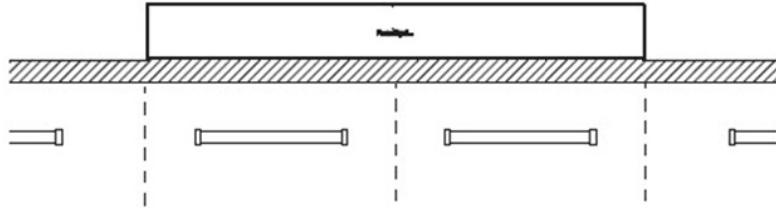
**Notes:** The following accessories are included:  
1x 8542 655 - Knife holder  
1x 1773 722 - Bottle holder  
1x 1774 000 - Bowl with lid

## FEATURES

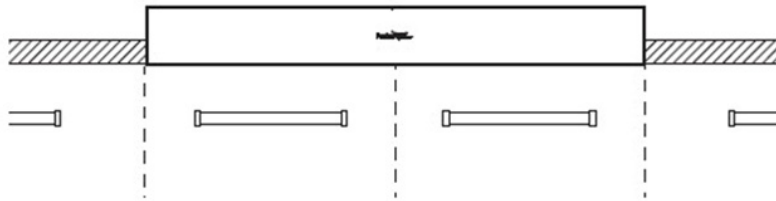
Diamond-shape bottom	The draining of water is an important feature in a sink, and it's always taken good care of in Foster products. In the bent-welded sinks, which would have a flat bottom, the proper draining is guaranteed by the elegant beveling, which helps the water flow.
High thickness	1.5 mm thick steel. A significant thickness, which guarantees the maximum sturdiness and durability.
Inclined recess	A deep and inclined recess houses the burners and grigs, allowing to create a single work surface. The inclination also makes it extremely easy to clean the edges.
Save space system	Drain and siphon are designed to leave as much space as possible in the under-sink area, more and more useful today for theseparate waste collection systems.
Squared bowls - 0/9 radius	The square bowls of Foster have perfectly squared vertical edges, while those on the bottom have a small radius of 9 mm that facilitates cleaning operations.

## TECHNICAL DATA

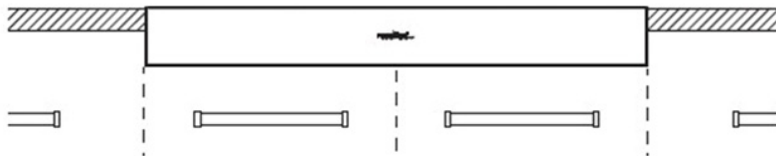




1. Sit-up installation on the worktop



2. Sit-up installation on the cabinets  
and protruding over the worktop



3. Built-in installation flush with the  
worktop



$44\frac{23}{32}$ " [1136]

$25\frac{3}{16}$ " [655.8]

cut-out size

## OPTIONAL ACCESSORIES



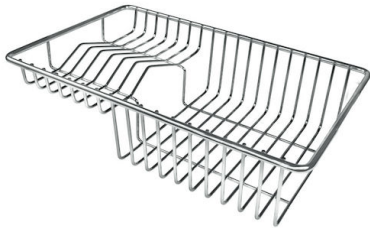
**Chopping board**  
8656 001



**Grating kit complete with ring support and food collection tray**  
8159 101



**HDPE Twin Chopping Board**  
8644 100



**Stainless Steel dishes holder**  
8100 303



**Stainless steel perforated pan**  
8151 000

## RECOMMENDED PAIRINGS



**Faucet Capri**  
8467 005



**Faucet Salina**  
8487 005