

## Armored R12 Sink 32" x 20" – U/M



Kitchen Sinks

Code: 4237 660

AISI 304 Stainless steel

Satin finish

Undermount

x cross bending for easy water draining



### DETAILS

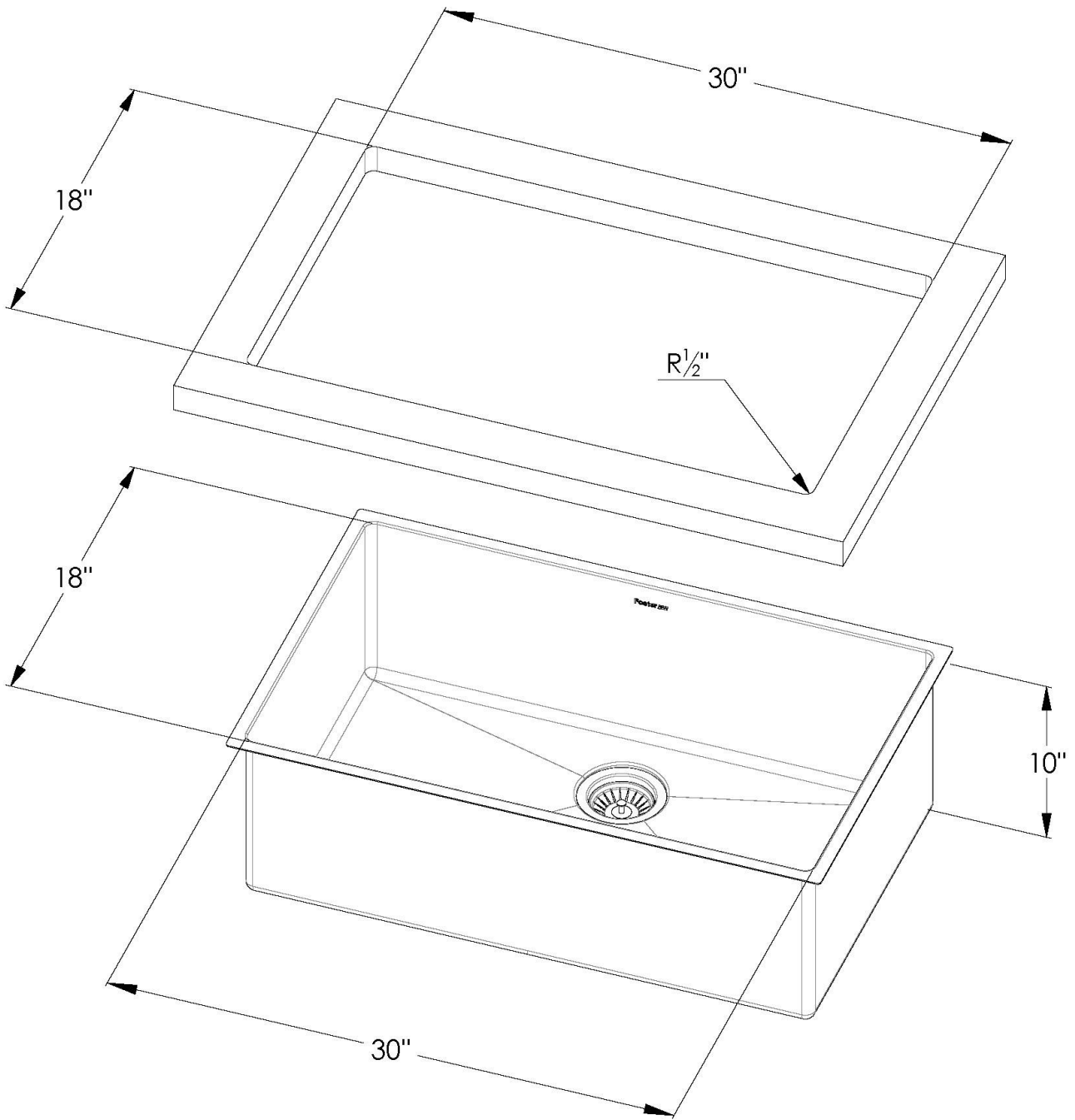
<b>Series</b>	Armored R12
Texture	Satin
Material	AISI 304 stainless steel
Edge/Installation Type	Undermount
Thickness	16 Gauge (1.5 mm)
Overall dimensions	32" x 20"
Bowls dimensions	1 bowl 30" x 18"
Bowls depth	10"

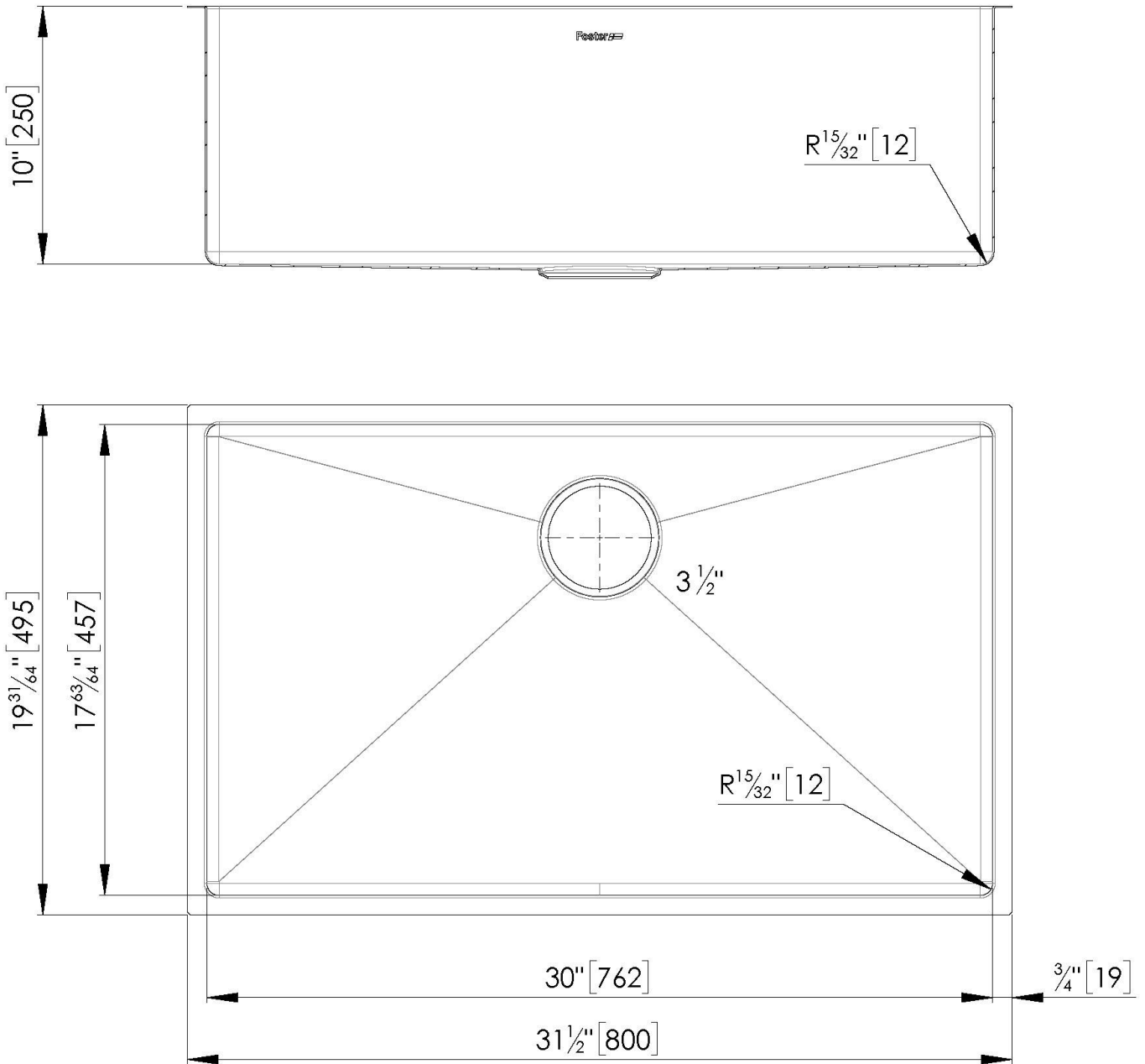
Cut out	30" x 18" radius 1/2"
Waste fitting type	3 1/2" - with stainless steel basket
Bowls bottom	X cross bending for easy water draining
Underside	Protected with heavy duty undercoating
Fixing system	Undermount fixing kit (brass insert and clips)

## FEATURES

Diamond-shape bottom	The draining of water is an important feature in a sink, and it's always taken good care of in Foster products. In the bent-welded sinks, which would have a flat bottom, the proper draining is guaranteed by the elegant beveling, which helps the water flow.
High thickness	1.5 mm thick steel. A significant thickness, which guarantees the maximum sturdiness and durability.
Basket 3,5" waste fitting	The drain is equipped with a large 3.5" drain, with the practical basket cap that prevents the discharge of solid parts.
Deep bowls	This bowls reach an important depth, over 20 cm, thanks to the advanced production technology, that can be offer great capieny and practicity in all the washing operations.
Small radius	Bowls with squared shapes with a modern design and an increased capacity, for a minimal aesthetics connected with an extreme practicity.

## TECHNICAL DATA





## GALLERY



## OPTIONAL ACCESSORIES



**Black grid**  
8100 619



**Expandable colander**  
8110 020



**Chopping board**  
8644 034



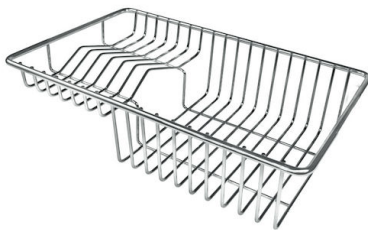
**Stainless steel plate rack**  
8100 154  
\* only in combination with the accessory  
8644 034



**Twin Chopping Board**  
8644 102



**Stainless steel perforated pan**  
8151 000  
\* only in combination with the accessory  
8644 102



**Stainless Steel dishes holder**  
8100 303  
\* only in combination with the accessory  
8644 102



**Grating kit complete with ring support and food collection tray**  
8159 101  
\* only in combination with the accessory  
8644 102

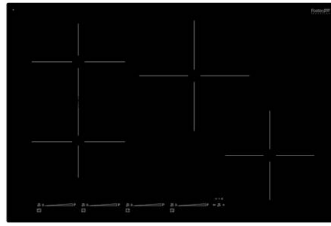


**Waste disposer throat**  
8669 043

## RECOMMENDED PAIRINGS



**Faucet Capri**  
8467 005



**Induction Cooktop 30"**  
7371 947