

## Armored R12 Sink Black 32" x 20" – U/M



Kitchen Sinks

Code: 4237 663

PVD Black  
AISI 304 Stainless steel  
Satin finish  
Undermount  
x cross bending for easy water draining



### DETAILS

<b>Series</b>	Armored R12
<b>Material</b>	AISI 304 stainless steel
<b>Texture</b>	Satin
<b>Finish</b>	PVD
<b>Coloring</b>	Black
<b>Edge/Installation Type</b>	Undermount
<b>Thickness</b>	16 Gauge (1.5 mm)
<b>Overall dimensions</b>	32" x 20"

Bowls dimensions	1 bowl 30" x 18"
Bowls depth	10"
Cut out	30" x 18" radius 1/2"
Waste fitting type	3 1/2" - with stainless steel basket
Bowls bottom	X cross bending for easy water draining
Underside	Protected with heavy duty undercoating
Fixing system	Undermount fixing kit (brass insert and clips)

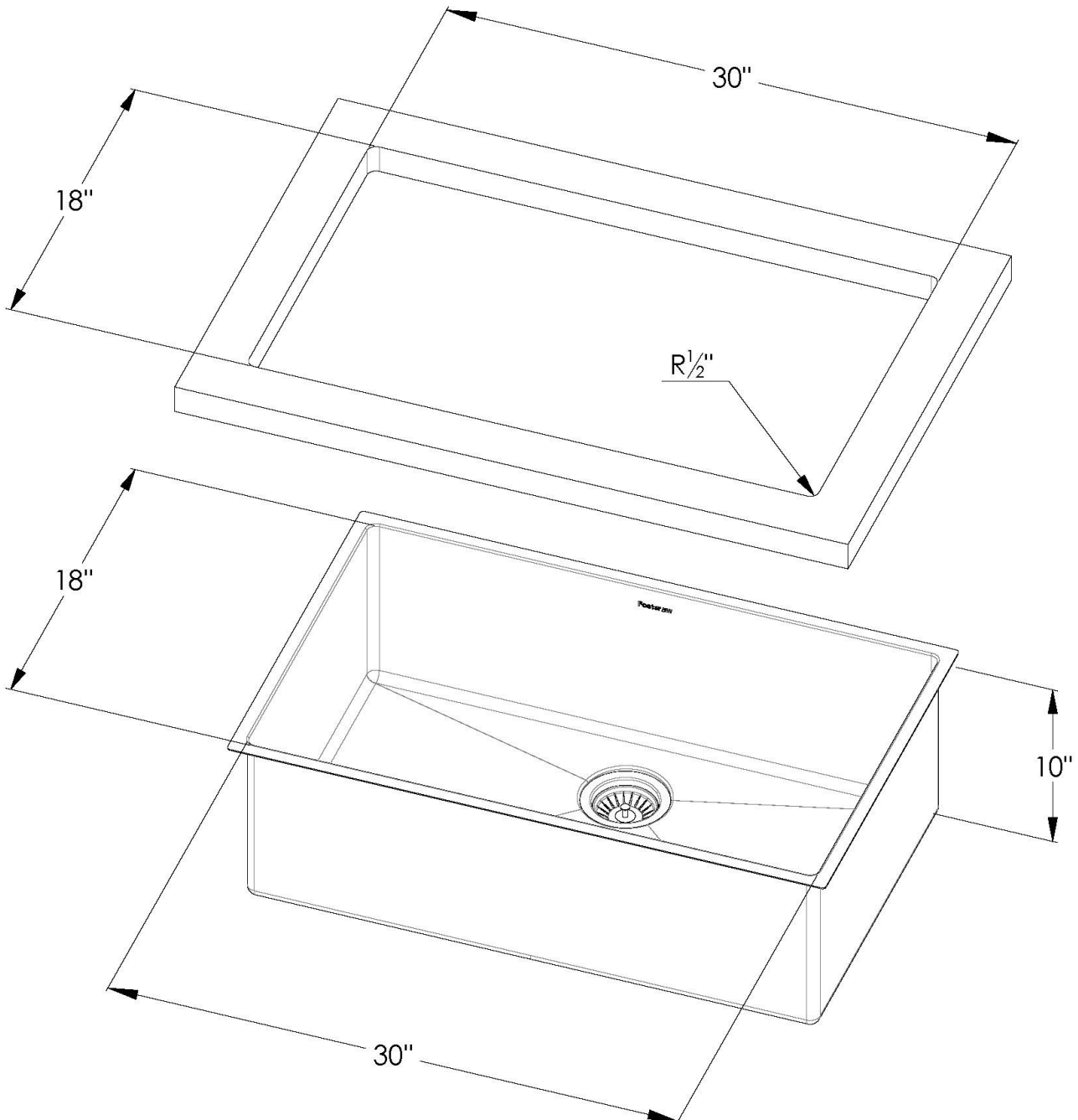
## FEATURES

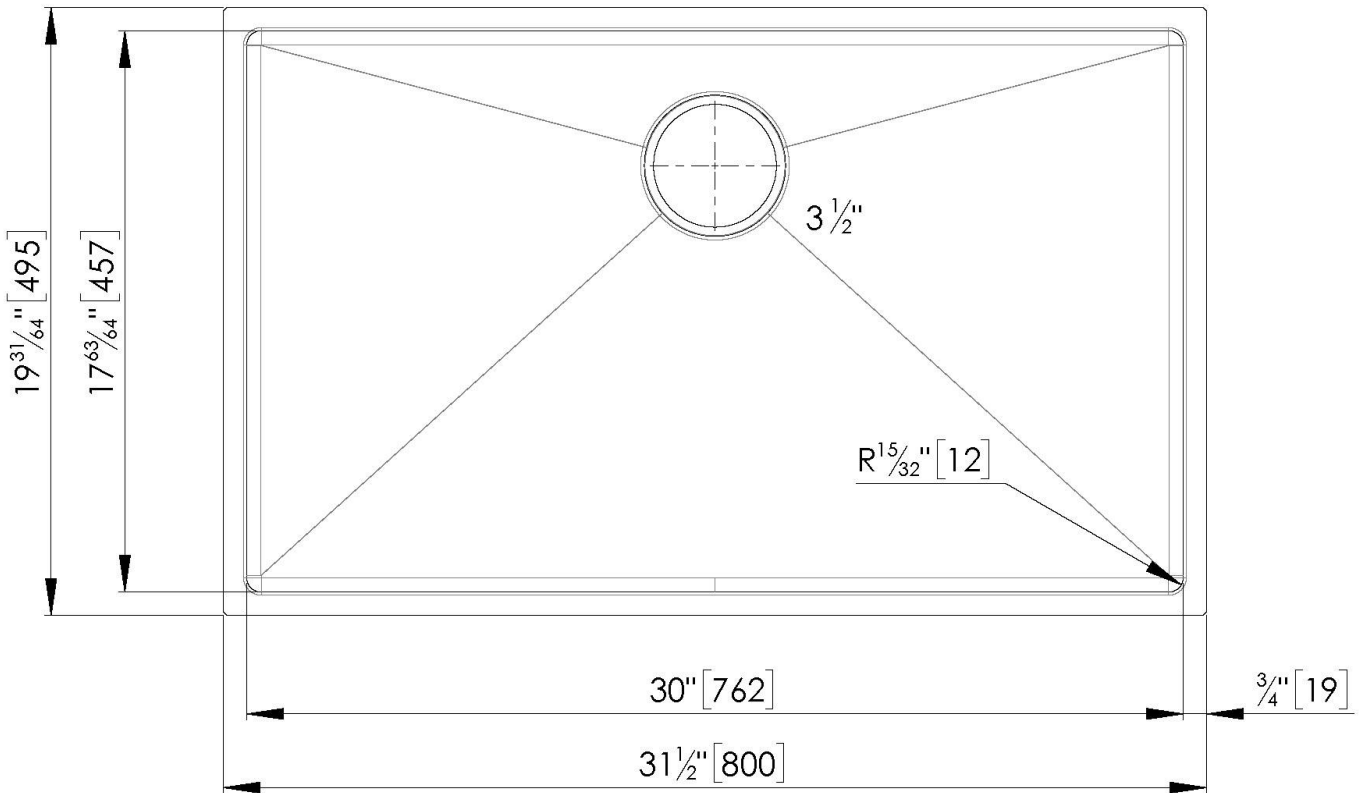
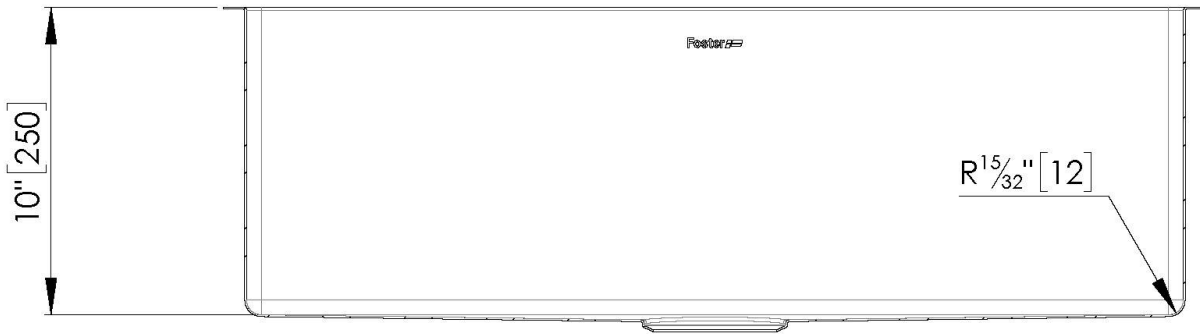
BLACK	The Black finish is obtained by treating steel with a physical process called PVD (Physical Vacuum Deposition) which deposits particles of noble metals on the surface. The result is a unique and refined aesthetic effect, and an improvement of the mechanical properties of the steel which is more resistant to impact and scratches.
Diamond-shape bottom	The draining of water is an important feature in a sink, and it's always taken good care of in Foster products. In the bent-welded sinks, which would have a flat bottom, the proper draining is guaranteed by the elegant beveling, which helps the water flow.
High thickness	1.5 mm thick steel. A significant thickness, which guarantees the maximum sturdiness and durability.
Basket 3,5" waste fitting	The drain is equipped with a large 3.5" drain, with the practical basket cap that prevents the discharge of solid parts.
Deep bowls	This bowls reach an important depth, over 20 cm, thanks to the advanced production technology, that can be offer great capiciency and practicity in all the washing operations.

Small radius

Bowls with squared shapes with a modern design and an increased capacity, for a minimal aesthetics connected with an extreme practicality.

## TECHNICAL DATA





## OPTIONAL ACCESSORIES



**Black grid**  
8100 619



**Expandable colander**  
8110 020



**Chopping board**  
8644 034



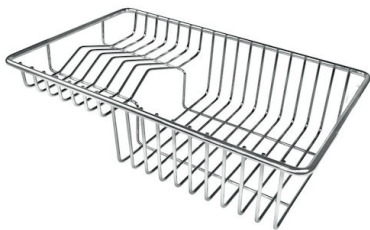
**Stainless steel plate rack**  
8100 154  
\* only in combination with the accessory  
8644 034



**Twin Chopping Board**  
8644 102



**Stainless steel perforated pan PVD  
Gun Metal**  
8151 006



**Stainless Steel dishes holder**  
8100 303  
\* only in combination with the accessory  
8644 102



**Grating kit complete with ring  
support and food collection tray**  
8159 101  
\* only in combination with the accessory  
8644 102



**Waste disposer throat PVD Gun  
Metal**  
8669 046

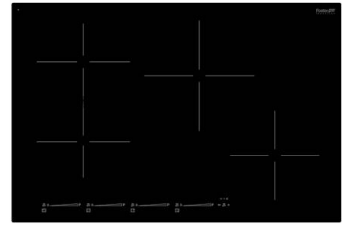
## RECOMMENDED PAIRINGS



**Faucet Capri | Black finish**  
8467 666



**Faucet Capri Gun Metal**  
8467 605



**Induction Cooktop 30"**  
7371 947