

## Sink Phantom Base 32" x 20" – U/M

Kitchen Sinks

Code: 5530 900



### DETAILS

Material AISI 304 stainless steel

---

Texture Foster brushed

---

**Dimensions** 32 <sup>3/8</sup>" x 20 <sup>3/8</sup>"

---

Standard fittings Drain  
Boxed packing

---

Built-in hole [View technical data sheet](#)

---

Bowl dimension 30" x 18"

---

Number of bowls 1 bowl

---

Waste fitting 3,5" drain

---

### FEATURES

## PHANTOM BASE | 20-30 mm

The Phantom BASE sink's bottoms are specifically engineered to be coupled with sinks made out of slabs. The perimetric trough makes for a simple and perfect installation. This version of Phantom BASE is meant for slabs of 20mm or 30mm thickness.

---

## PHANTOM BASE WITHOUT WELDING

The steel bottom Phantom BASE solves the problem of water draining of slab sinks, because the slope built into the moulded bottom ensures perfect draining. The radius and sloped profile of Phantom BASE guarantee great practicality and hygiene in everyday cleaning.

---

## High thickness

1.5 mm thick steel. A significant thickness, which guarantees the maximum sturdiness and durability.

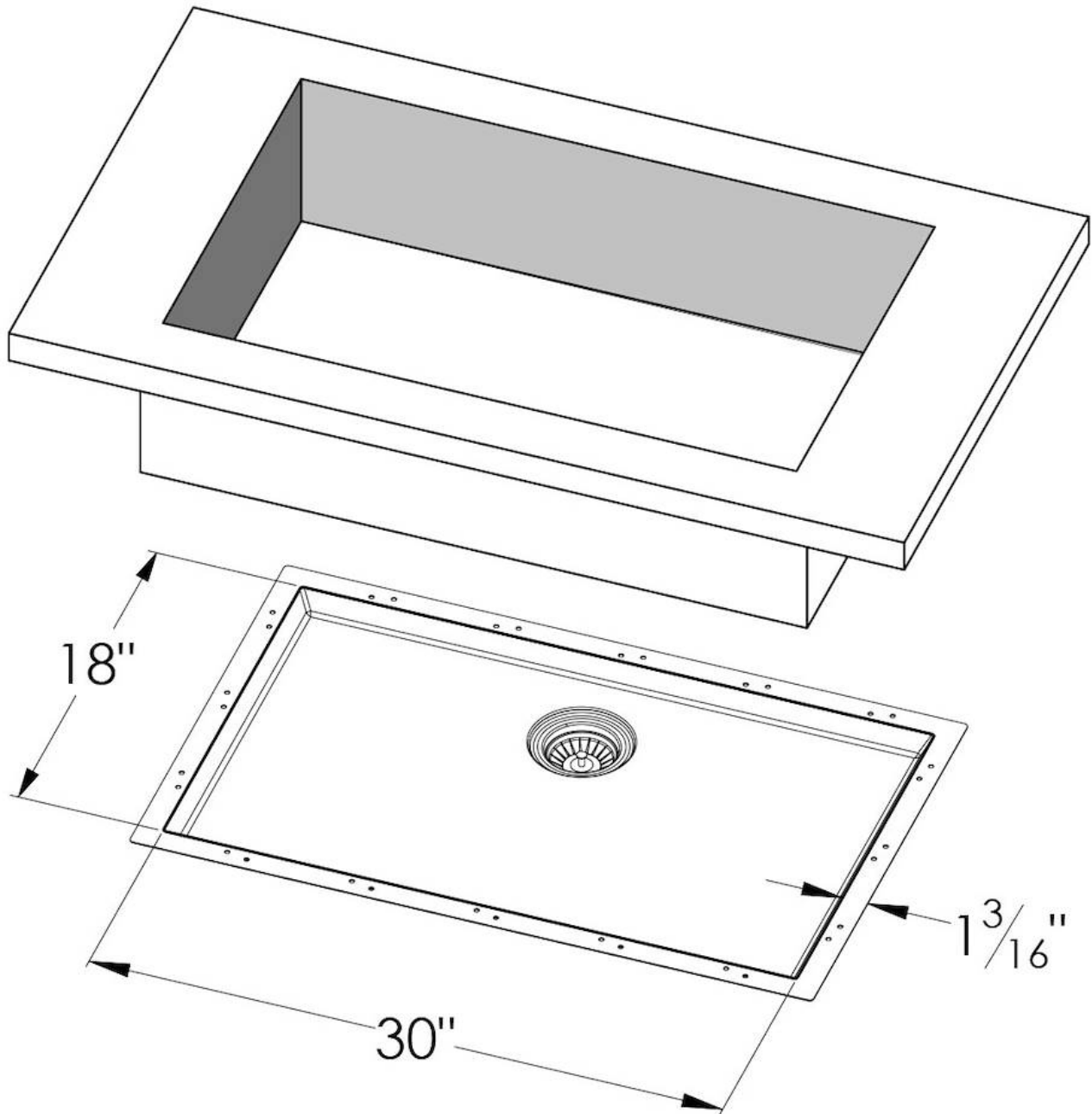
---

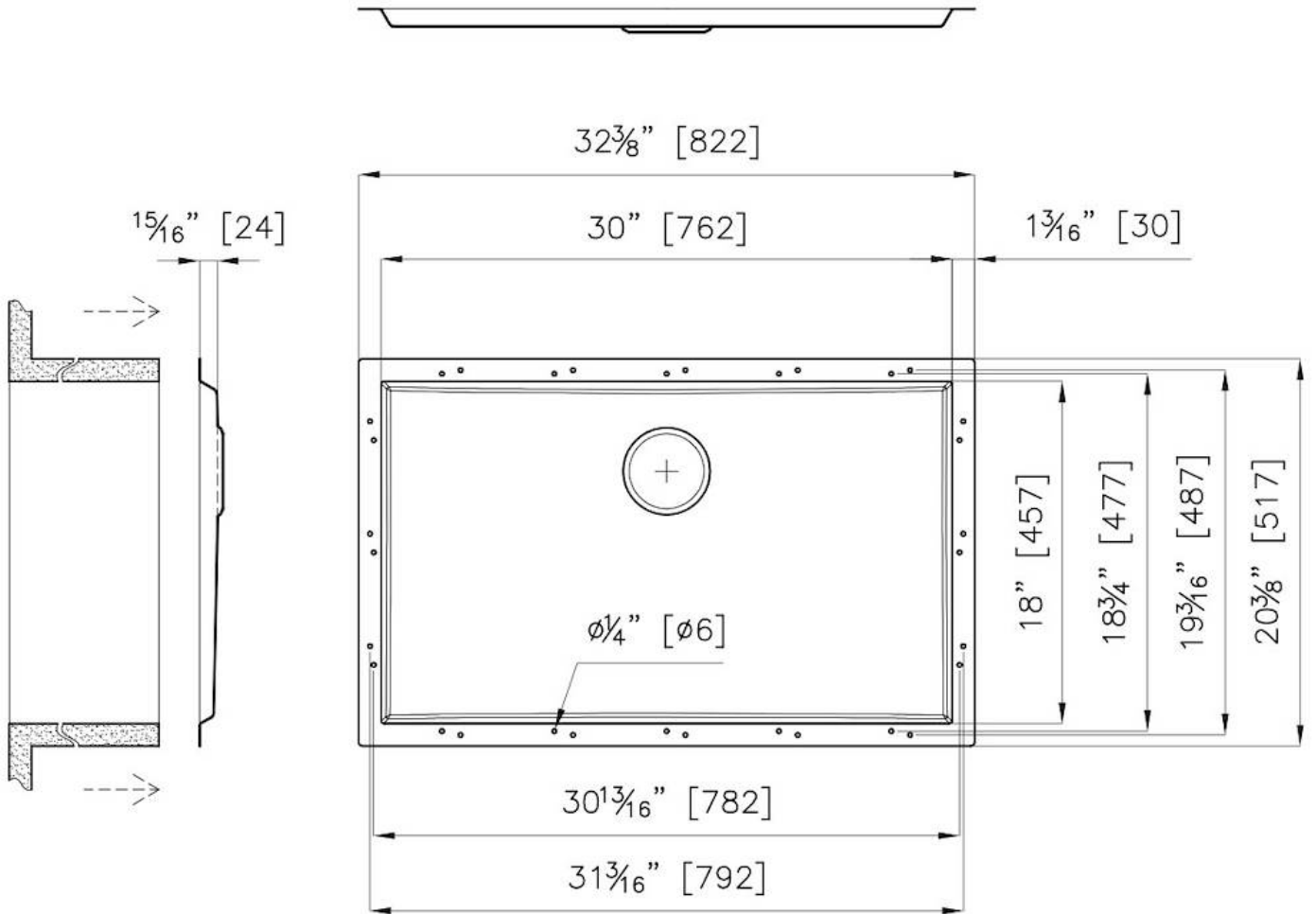
## Small radius

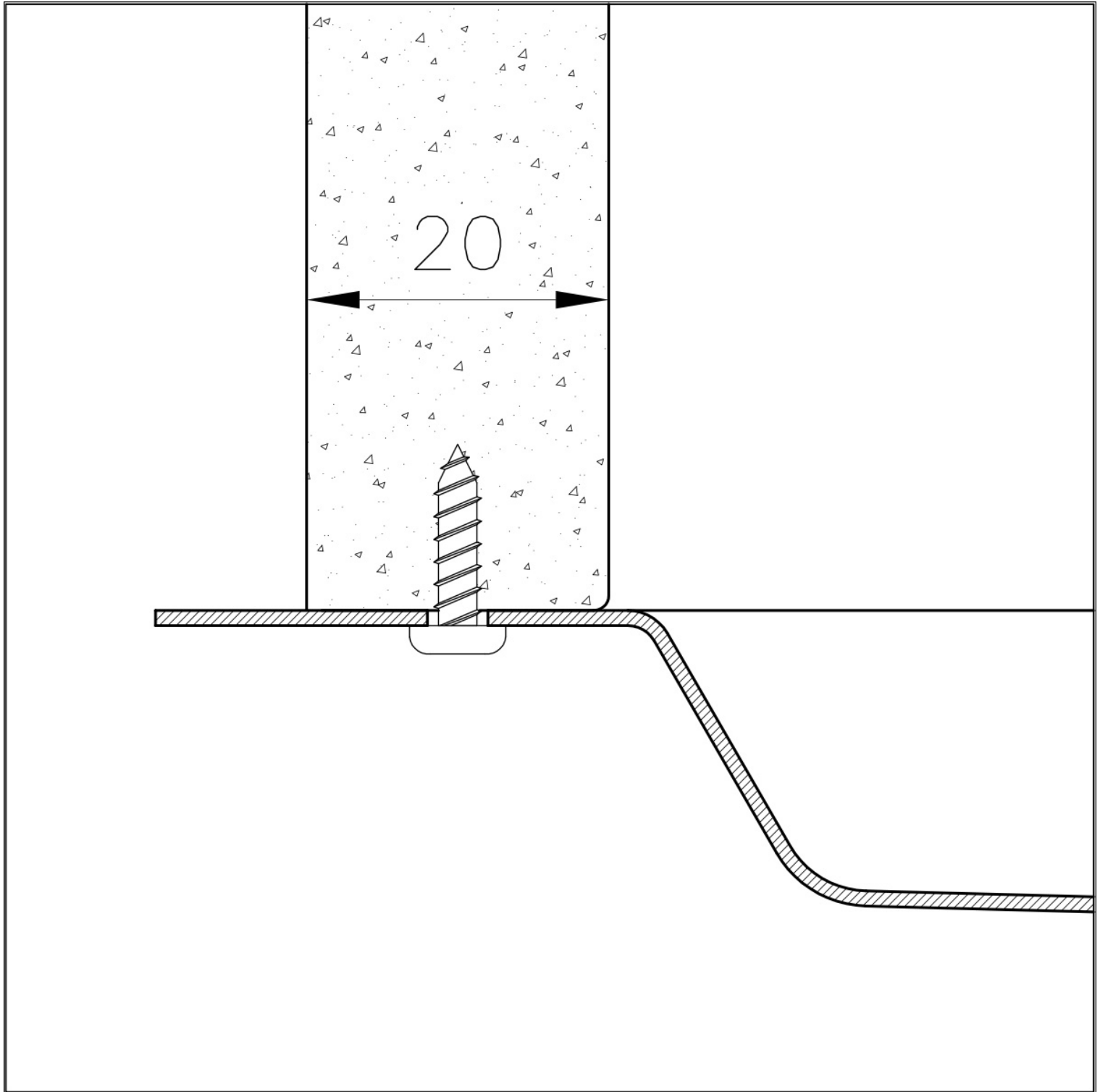
Bowls with squared shapes with a modern design and an increased capacity, for a minimal aesthetics connected with an extreme practicality.

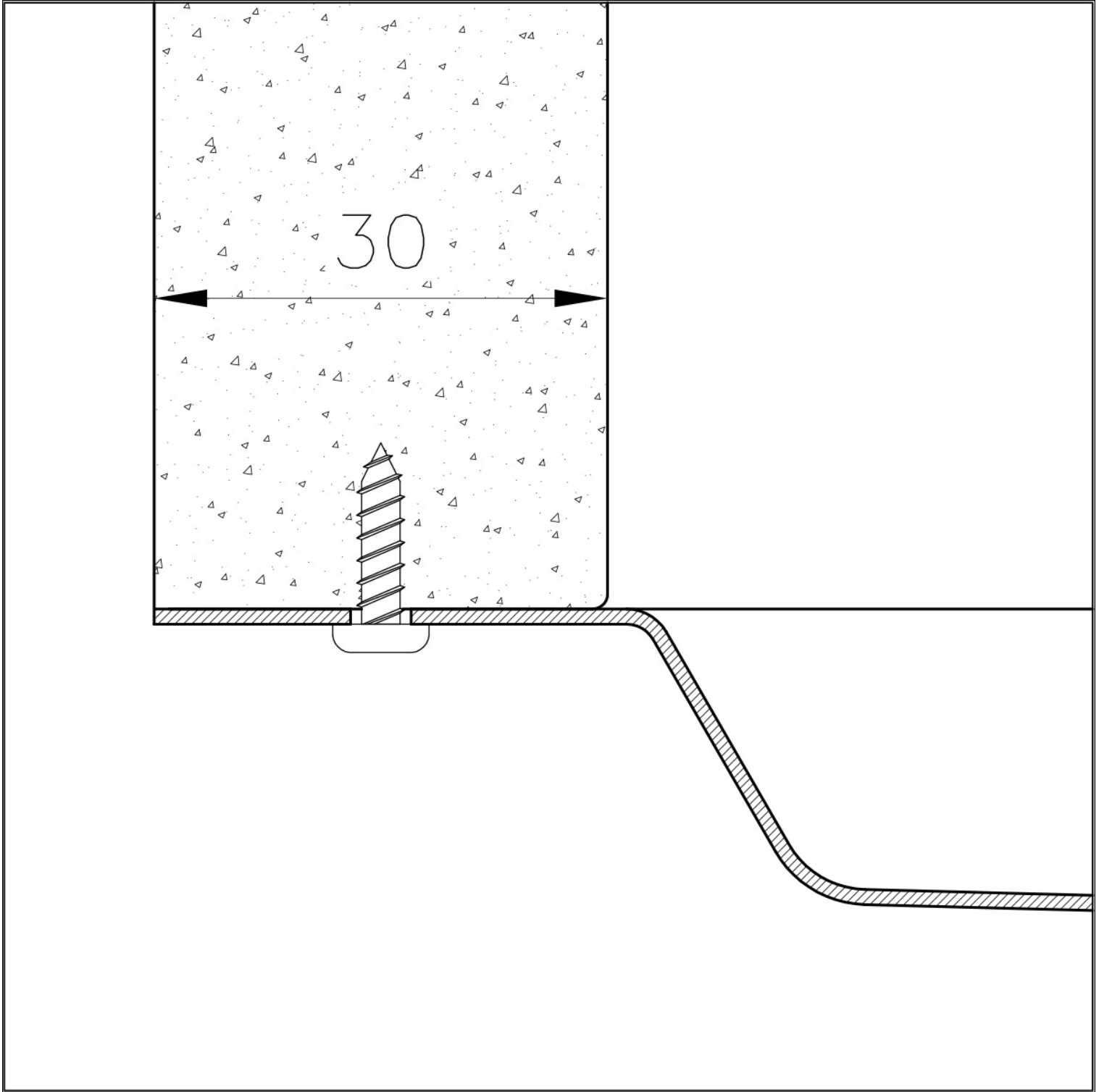
---

## TECHNICAL DATA









## GALLERY



## OPTIONAL ACCESSORIES



Waste disposer throat

### **WARNING:**

The accessories 8159101, 8100303,8151000 are only usable in combination with 8644101

## RECOMMENDED PAIRINGS



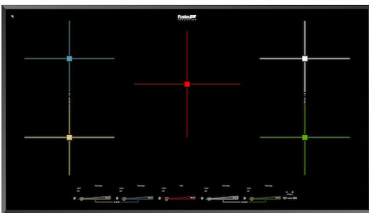
Faucet Capri | Polished finish



Faucet Salina | Polished Finish



Milano Cooktop 4 burners inLine



Milano Induction Cooktop 5 Plate