



## Cucinotta Foster Milano Range 6b – 48" x 27" - 7166 900

Ranges

Code: 7166 900

AISI 304 Stainless steel  
Satin finish  
Enamelled cast iron grid  
Solid metal knobs



### DETAILS

#### OVEN SPECIFICATIONS

---

**Oven type** Multifunction Pyrolytic Oven

---

**Door finishing** Satin finish Stainless Steel

---

**Cooking Functions** 12

---

**Control type** Electronic

---

**Temperature control** Electronic

---

**Commands** 2 knobs / 6 touch keys

---

Language English

---

## Cavity

---

Usable capacity 4.1CuFt

---

Cavity finish Dark gray pyrolitic enamel

---

Rack positions 6

---

Lighting Triple asymmetrical halogen (20W) lighting

---

Broil upper heating element 3,500 W (240 V)

---

Upper aux element 1,032 W (240 V)

---

Concealed bake lower heating element 3,000 W (240 V)

---

Convection element 2 x 1,300 W (240 V)

---

## Door

---

Door Glasses 4 heat resistant glasses

---

Inner side Full glass

---

Hinges Heavy duty Steady Tilt

---

Handle	Satin finish Stainless steel handle
--------	-------------------------------------

---

## Special features

---

Cleaning function	Pyrolitic self clean
-------------------	----------------------

---

Probe T control	Yes
-----------------	-----

---

Preset/last used temperature memory	Yes
-------------------------------------	-----

---

Preheat bar (25%, 50%, 75%, 100%)	Yes
-----------------------------------	-----

---

Automatic fast preheat	Yes
------------------------	-----

---

Sabbath mode	Yes
--------------	-----

---

Safety	Keyboard lock, Child door lock
--------	--------------------------------

---

Temperature unit	°C/°F
------------------	-------

---

Clock format	12/24 Hours
--------------	-------------

---

## Delivered accessories

---

Chromed racks	2
---------------	---

---

Telescopic chromed rack	1
-------------------------	---

---

Enamelled grill set 1

---

Meat Probe 1

---

## Technical Specifications

---

Electric supply 120/240VAC – 60Hz // 120/208VAC – 60Hz

---

Max Amp usage, power rating (240V,60Hz) 16.9 A – 3.84 Kw

---

Max Amp usage, power rating (208V,60Hz) 17.5 A – 3.54 Kw

---

Cable + conduit Yes

---

Plug No

---

**Certification** US & CA (ETL)

---

Warranty 24 months

---

**Cooking Functions** Pyrolitic Sel Clean with automatic door lock, Dual convection Bake, convection Broil, Convection Roast, Lower Convection (Pizza function), Bake, Broil, Delicate cooking, Defrost, Proof warm, Keep warm (warm plus), Light, Fast preheating

---

## RANGETOP SPECIFICATIONS

---

Model Milano Rangetop 6F – 48" x 27"

---

**Dimensions** 47 <sup>7</sup>/<sub>8</sub>" x 27 "

---

Maintop AISI 304 Stainless Steel

---

Finish Satin finish

---

Grids Enamelled cast iron

---

Hob controls Knobs

---

Knobs Solid Metal

---

Safety Safety valves

---

Total power Btu 64,200 Btu/h

---

**Burners** 6

---

DC 15,500 Btu/h

---

Rapid 10,750 Btu/h

---

Semirapid 9,100 Btu/h

---

Auxiliary 5,000 Btu/h

---

Simmer ring 3

---

Simmer Rate 900

---

## Technical requirements

Electrical supply 120V 60Hz

---

Gas std setting Natural Gas

---

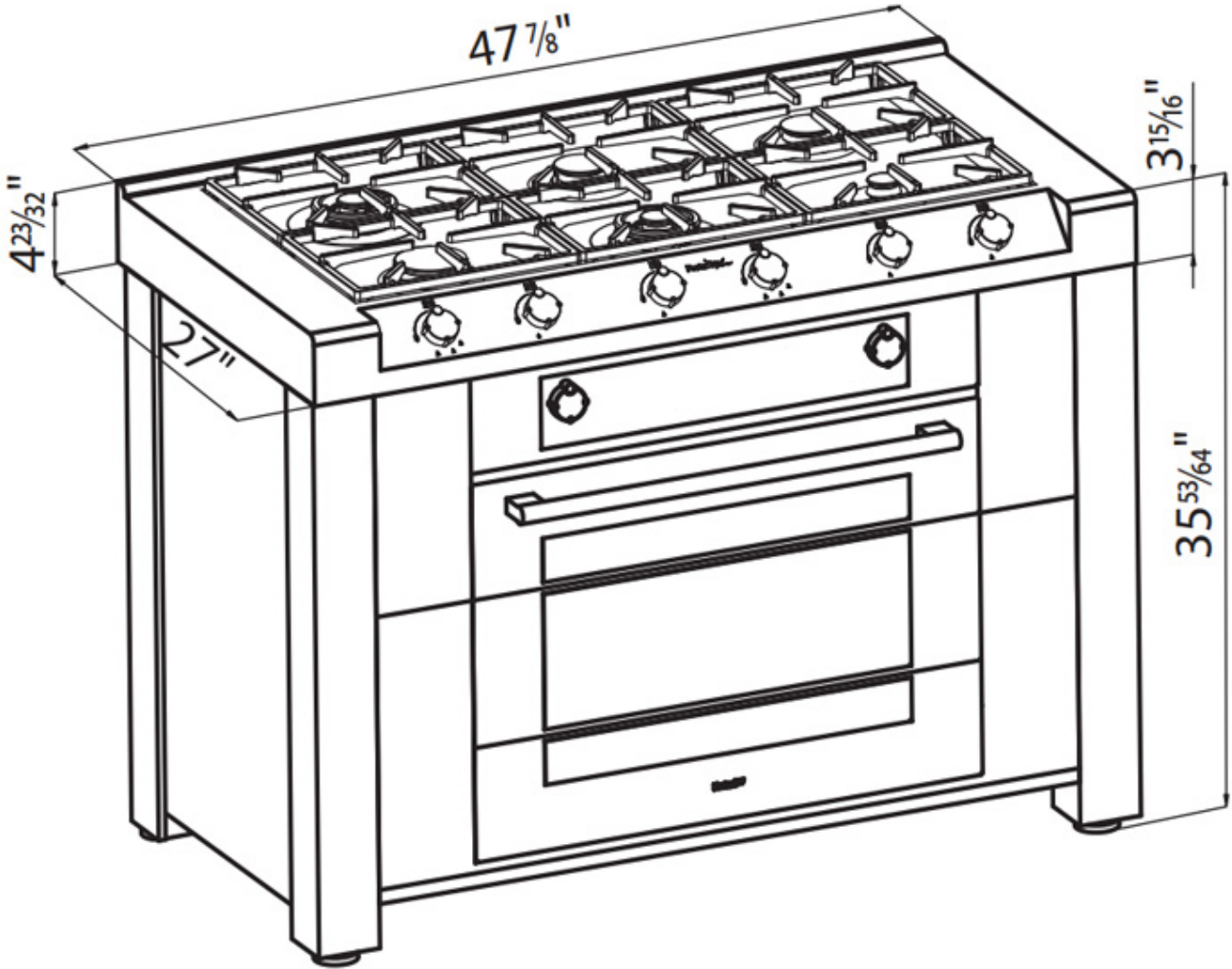
LP Gas conversion Kit for all burners included

---

**Optional accessories** (2x) Cast iron wok support

---

## TECHNICAL DATA



## OPTIONAL ACCESSORIES



Cast Iron Wok Support 9601 727

## RECOMMENDED PAIRINGS



Cucinotta Hood 48" - 2463 900