



Oven Milano double Glass

Ovens

Code: 7169 906

Multifunction pyrolitic double oven
12 cooking functions
black mirror glass
satin finish stainless steel handle
4 knobs and 6 touch keys



DETAILS

Oven type Multifunction Pyrolitic Double Oven

Door finishing Black Mirror glass

Cooking Functions 12

Control type Electronic

Temperature control Electronic

Commands 4 knobs / 6 touch keys

Language English

Cavity

Usable capacity 4.1CuFt

Cavity finish Dark gray pyrolitic enamel

Rack positions 6

Lighting Triple asymmetrical halogen (20W) lighting

Broil upper heating element 3,500 W (240 V)

Upper aux element 1,032 W (240 V)

Concealed bake lower heating element 3,000 W (240 V)

Convection element 2 x 1,300 W (240 V)

Door

Door Glasses 4 heat resistant glasses

Inner side Full glass

Hinges Heavy duty Steady Tilt

Handle Satin finish Stainless steel handle

Special features

Cleaning function Pyrolytic self clean

Probe T control Yes

Preset/last used temperature memory Yes

Preheat bar (25%, 50%, 75%, 100%) Yes

Safety Keyboard lock, Child door lock

Temperature unit °C/°F

Clock format 12/24 Hours

Delivered accessories

Chromed racks 2 per cavity

Telescopic chromed rack 1 per cavity

Enamelled grill set 1 per cavity

Meat Probe 1

Technical Specifications

Electric supply 120/240VAC – 60Hz // 120/208VAC – 60Hz

Max Amp usage, power rating (240V,60Hz) 33.8 – 7.68kW

Max Amp usage, power rating (208V,60Hz) 32.4 – 6.48kW

Cable + conduit Yes

Plug No

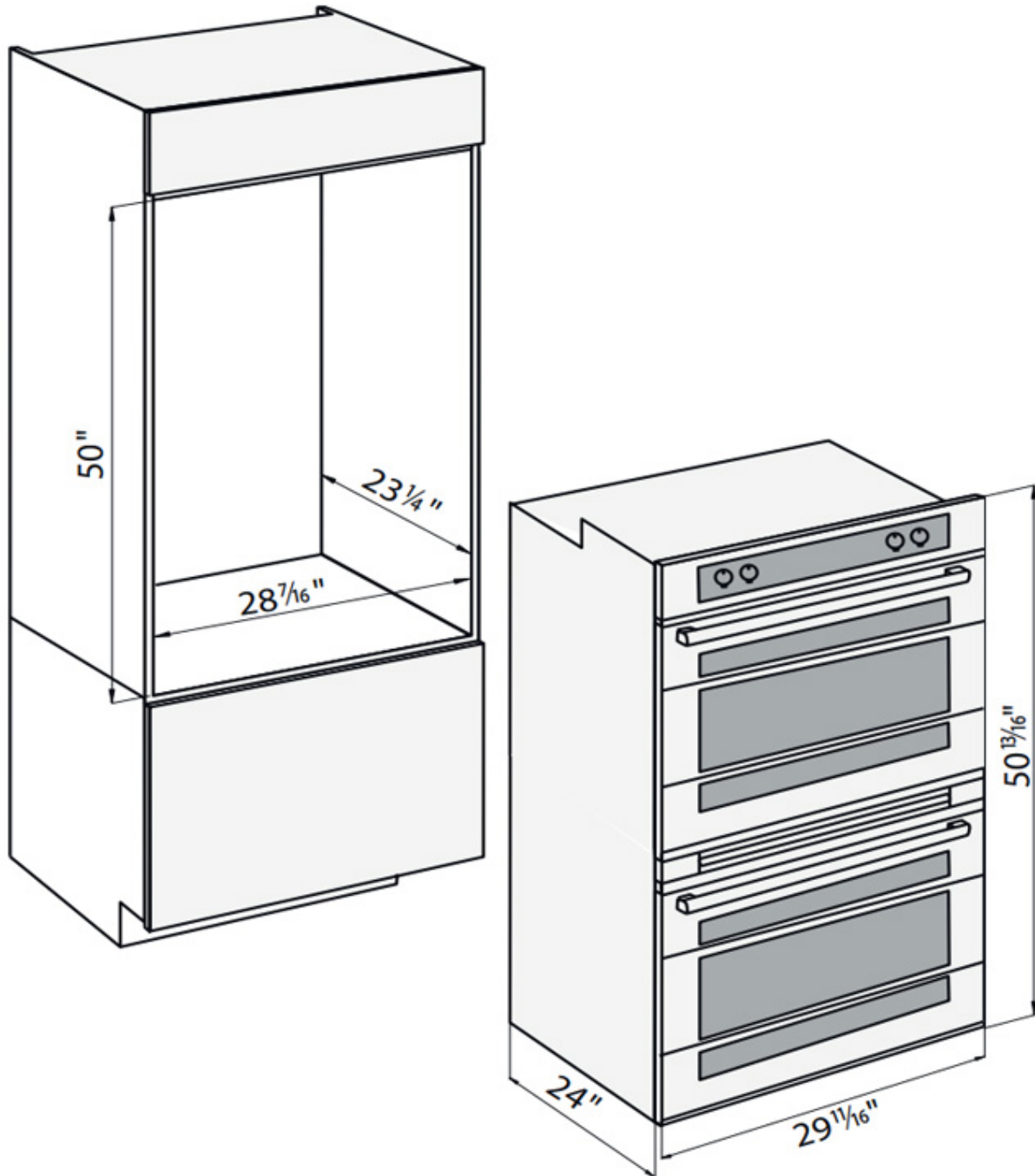
Certification US & CA (ETL)

Warranty 24 months

Cooking Functions Pyrolitic Sel Clean with automatic door lock, Dual convection Bake, convection Broil, Convection Roast, Lower Convection (Pizza function), Bake, Broil, Delicate cooking, Defrost, Proof warm, Keep warm (warm plus), Light, Fast preheating

Notes: All the informations under the category "Cavity" must be duplicated per two (because of double oven)

TECHNICAL DATA



GALLERY

