

## Oven Professional Stainless Steel 30"



Ovens

Code: 7171 900

Multifunction pyrolytic oven  
7 cooking functions  
Satin finish Stainless steel door  
2 knobs



### DETAILS

**Oven type** Multifunction Pyrolytic Oven

**Door finishing** Satin finish Stainless Steel

**Cooking Functions** 7

**Control type** Electronic

**Temperature control** Electronic

**Commands** 2 knobs

**Language** English

### Cavity

Usable capacity 3.75CuFt

---

Cavity finish Dark gray pyrolitic enamel

---

Rack positions 6

---

Lighting Triple asimmetrical halogen (20W) lighting

---

## Door

---

Door Glasses 4 heat resistant glasses

---

Inner side Full glass

---

Hinges Heavy duty Steady Tilt

---

Handle Satin finish Stainless steel handle

---

## Special features

---

Cleaning function Pyrolitic self clean

---

Probe T control No

---

Preset/last used temperature memory No

---

Automatic fast preheat No

---

Sabbath mode No

---

Safety Door Lock

---

Temperature unit °C/°F

---

Clock format 12/24 Hours

---

## Delivered accessories

---

Chromed racks 1

---

## Technical Specifications

---

Electric supply 120/240VAC – 60Hz // 120/208VAC – 60Hz

---

Max Amp usage, power rating  
(240V,60Hz) 16.9 A – 3.84 Kw

---

Max Amp usage, power rating  
(208V,60Hz) 17.5 A – 3.54 Kw

---

Cable + conduit Yes

---

Plug No

---

**Certification** US & CA (ETL)

---

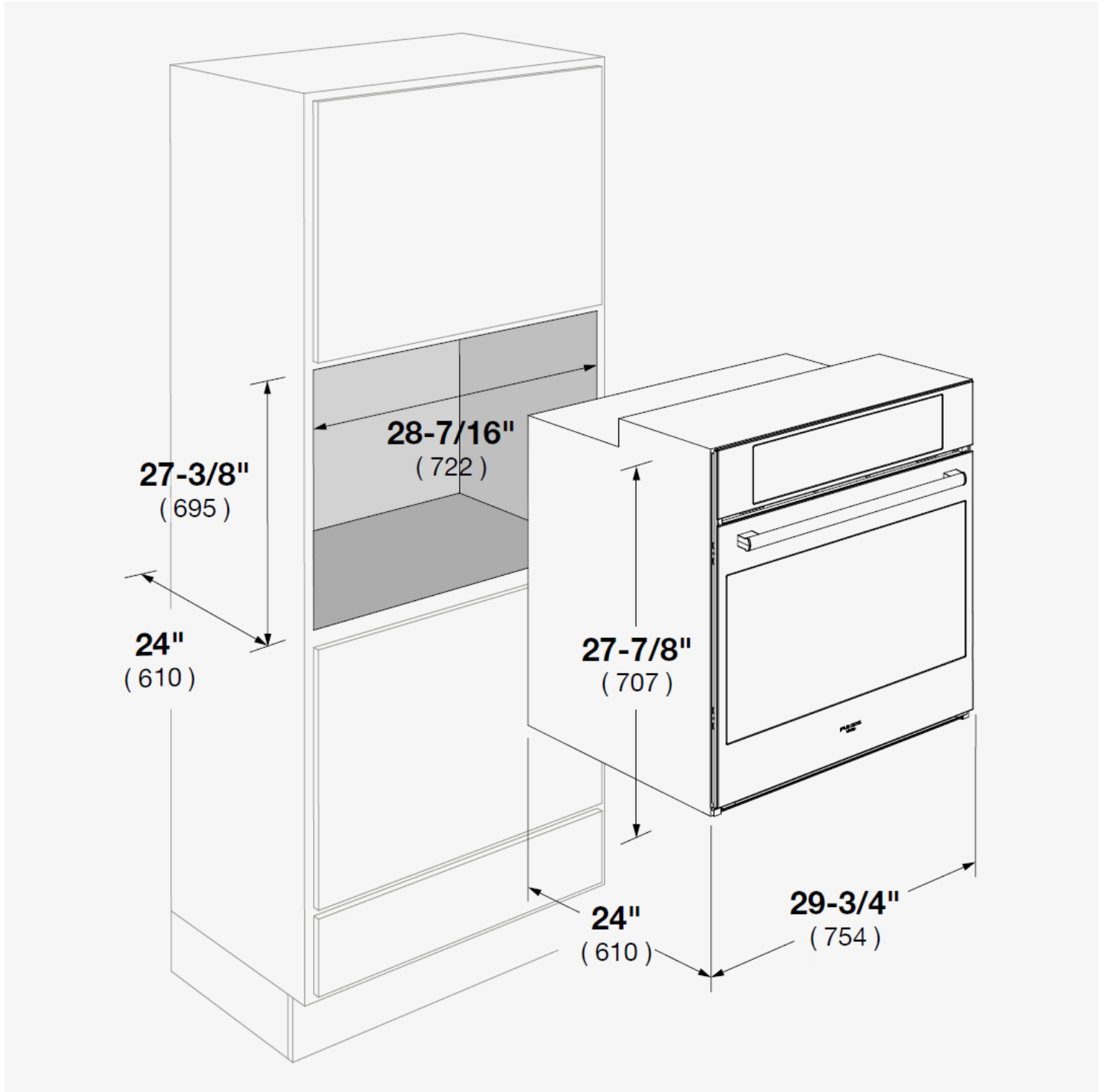
Warranty 24 months

---

## Cooking Functions

Pyrolitic Sel Clean with automatic door lock, Convection Bake, Ventilated Bake, Convection broil, Bake, Broil, Defrost, Lights

## TECHNICAL DATA



## GALLERY

