

Quadra Line Cooktop 4 burners inLine



Gas cooktops

Code: 7217 942

AISI 304 Stainless steel

Satin finish

Enamelled cast iron grids

Solid metal knobs

Gas taps with safety valves



DETAILS

Finish Foster brushed

Material AISI 304 stainless steel

Series Quadra

Texture Satin

Dimensions 54 1/2" x 14"

Kind of Edge 1 mm – flush edge

Installation Flush-mount or overmount

Overmount cut-out 53 11/16" x 13 3/16"

Grids Enamelled cast iron

Cooktop controls Knobs

Knobs Solid Metal

Safety Safety valves

Total power Btu/h 26,500 Btu

Burners 4

Triple crown 11,000 Btu/h

Rapid 7,600 Btu/h

Semirapid 5,100 Btu/h

Auxiliary 2,800 Btu/h

Simmer ring 1

Simmer Rate 900 Btu/h

Technical requirements

Electrical supply 120V 60Hz

Gas std setting Natural Gas

LP Gas conversion

Kit for all burners included

FEATURES

Under-knob ignition

The utmost freedom of movement with electronic under-knob ignition, a common feature of all models that allows a one-hand ignition of the burner.

Special burners

Many Foster hobs are equipped with special burners, with two or three rings of fire that greatly increase the power delivered and the heated surface. In the DUAL models the two fire crowns also have independent ignition, making these burners perfect for both intensive and delicate cooking.

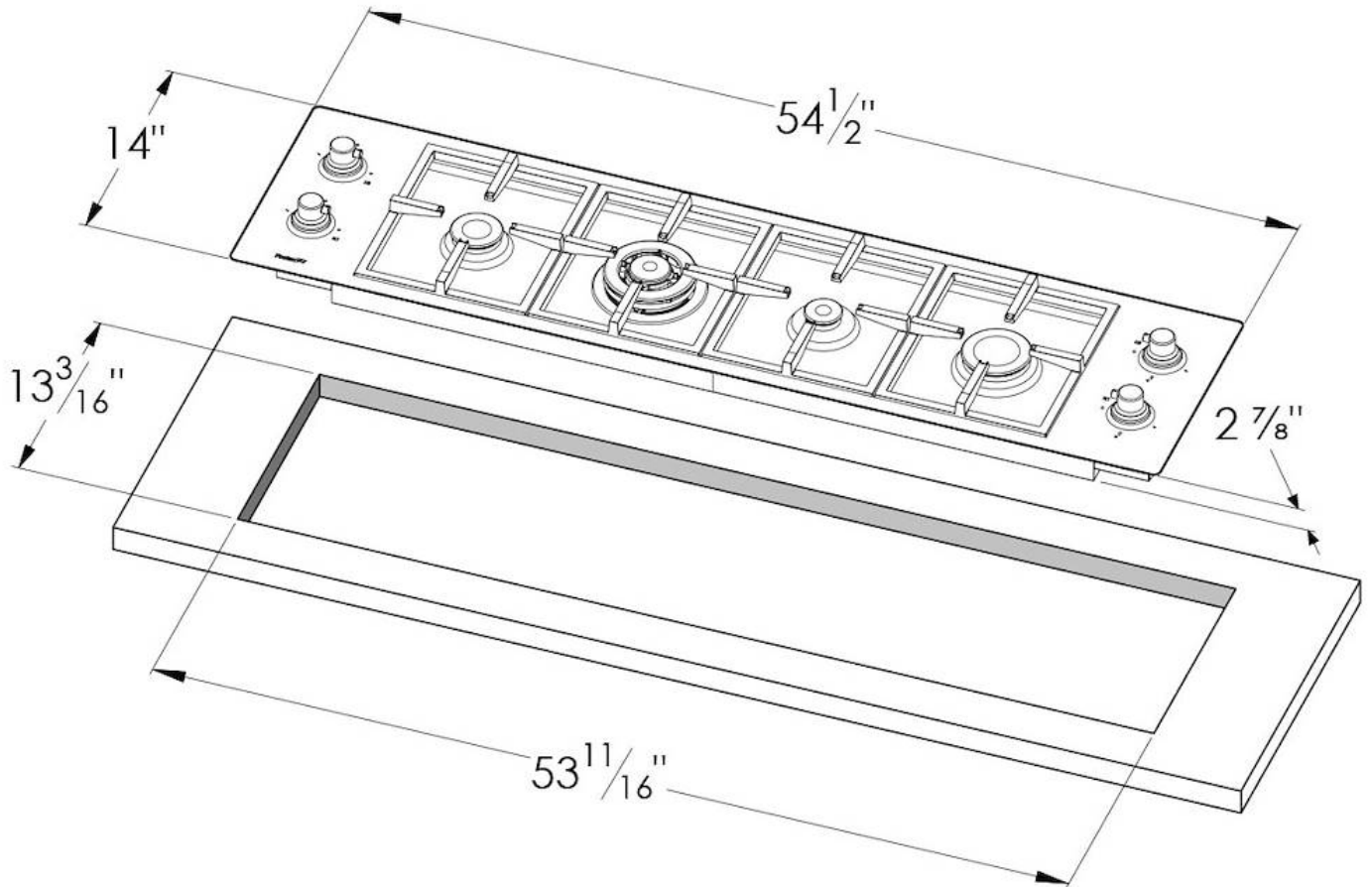
Safe cooking

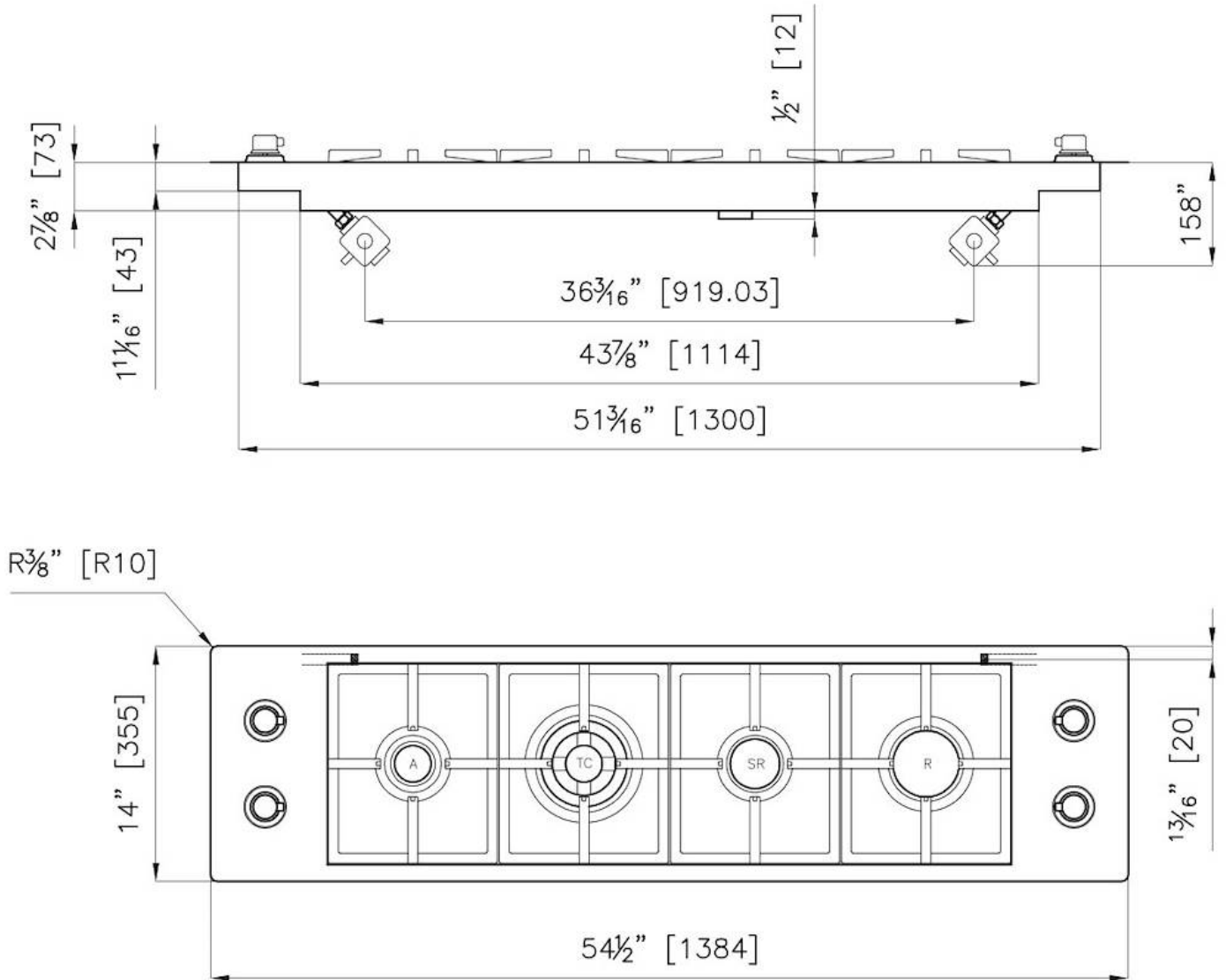
All Foster cooker hobs are equipped with safety valves. They shut off the gas supply very quickly if the flame accidentally goes out.

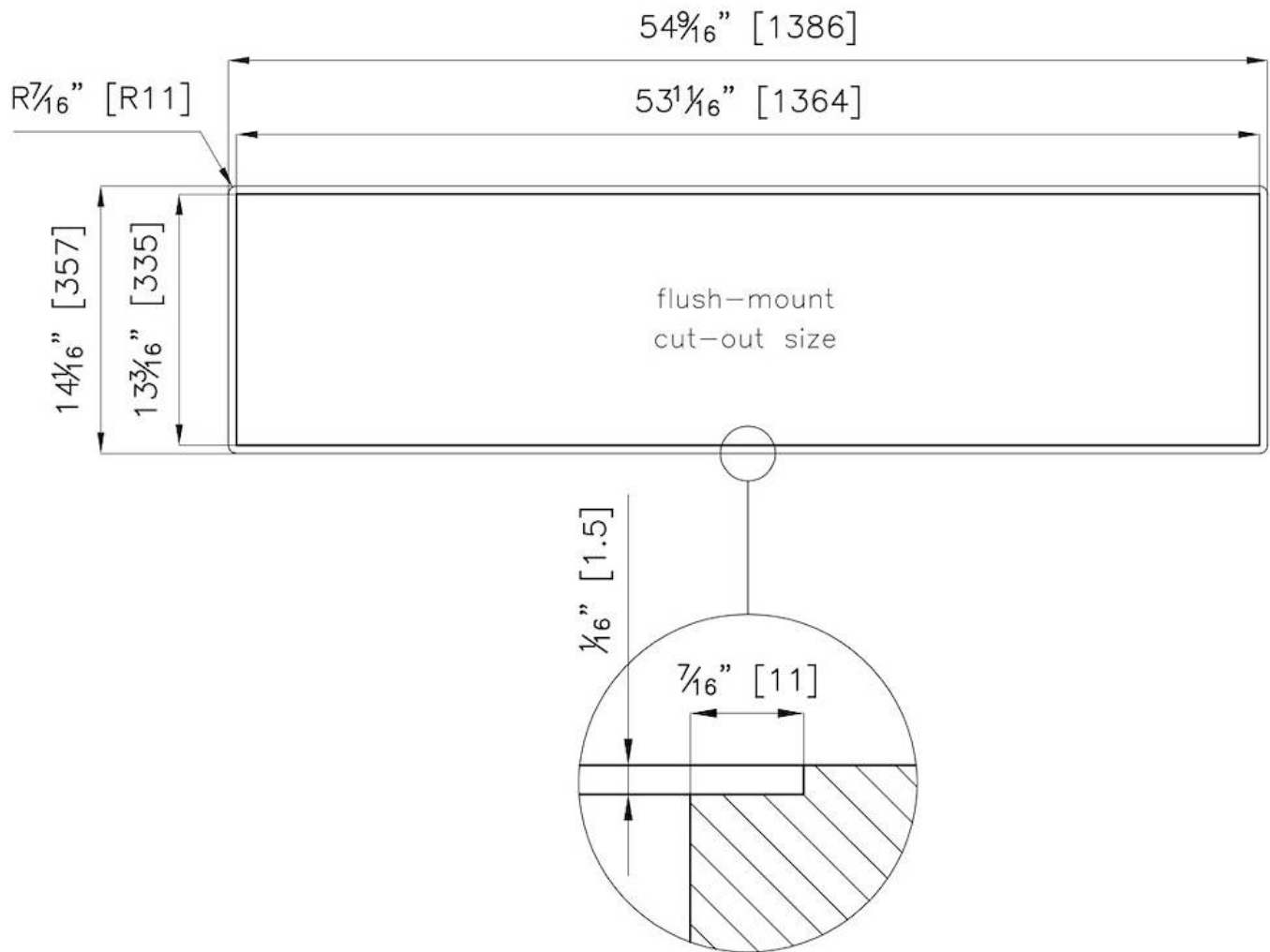
Cast iron grids

Cast-iron is the ideal material for an hob grid, this due to the manifold properties characterising it: high heat capacity that improves cooking performance; high weight and stability that improve safety; sturdiness that preserves the hob's original aspect over time; easy cleaning.

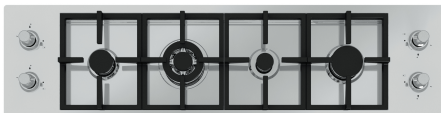
TECHNICAL DATA







GALLERY



RECOMMENDED PAIRINGS



Michelangelo Sink 1B – 30" x 15" –
FM



Ghost Hood 48"