



Professional Cucinotta Range 36" 5 burners

Ranges

Code: 7269 900

AISI 304 Stainless steel
Satin finish
Enamelled cast iron grid
Solid metal knobs



DETAILS

Series Foster Milano

Finish Foster brushed

Material AISI 304 stainless steel

Texture Satin

OVEN SPECIFICATIONS

Oven type Multifunction Pyrolitic Oven

Cooking Functions 7

Control type Electronic

Temperature control Electronic

Commands 2 knobs

Language English

Cavity

Usable capacity 3.75CuFt

Cavity finish Dark gray pyrolitic enamel

Rack positions 6

Lighting Triple asymmetrical halogen (20W) lighting

Broil upper heating element 3,500 W (240 V)

Upper aux element 1,032 W (240 V)

Concealed bake lower heating element 3,000 W (240 V)

Convection element 2 x 1,300 W (240 V)

Door

Door Glasses 4 heat resistant glasses

Inner side Full glass

Hinges Heavy duty Steady Tilt

Handle Satin finish Stainless steel handle

Special features

Cleaning function Pyrolitic self clean

Probe T control No

Preset/last used temperature memory No

Automatic fast preheat No

Sabbath mode No

Safety Door Lock

Temperature unit °C/°F

Clock format 12/24 Hours

Delivered accessories

Chromed racks 1

Telescopic chromed rack 1

Enamelled grill set 1

Meat Probe 1

Technical Specifications

Electric supply 120/240VAC – 60Hz // 120/208VAC – 60Hz

Max Amp usage, power rating (240V,60Hz) 16.9 A – 3.84 Kw

Max Amp usage, power rating (208V,60Hz) 17.5 A – 3.54 Kw

Cable + conduit Yes

Plug No

Certification US & CA (ETL)

Warranty 24 months

Cooking Functions Pyrolytic Sel Clean with automatic door lock, Convection Bake, Ventilated Bake, Convection broil, Bake, Broil, Defrost, Lights

RANGETOP SPECIFICATIONS

Model Professional Rangetop 5b - 36"x 27"

Dimensions

35^{55/64}" x 27"

Finish

Satin finish

Grids

Enamelled cast iron

Cooktop controls

Knobs

Knobs

Solid Metal

Safety

Safety valves

Total power Btu

31,600 Btu/h

Burners

5

Triple crown

11,000 Btu/h

Rapid

10,750 Btu/h

Semirapid

5,100 (2x) Btu/h

Auxiliary

2,800 Btu/h

Simmer ring

1

Simmer Rate

900

Technical requirements

Electrical supply 120V 60Hz

Gas std setting Natural Gas

LP Gas conversion Kit for all burners included

Delivered accessories (2x) bottle holder

(2x) st. steel spices container

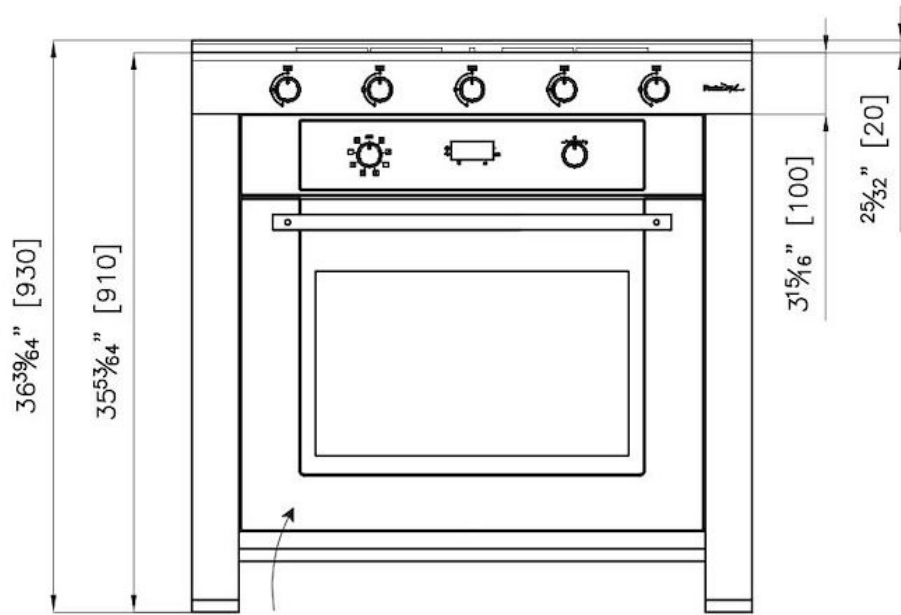
Optional accessories Cast iron wok support

Notes: For technical details of oven and gas cooktop see below in "Equipment"

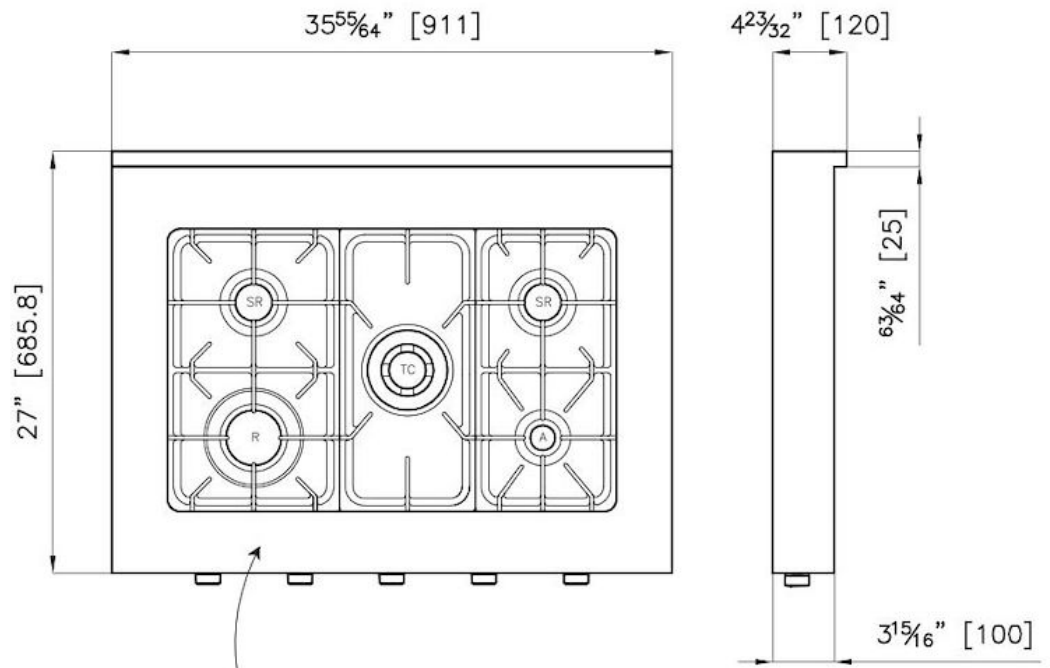
EQUIPMENT

1x Oven Professional Pyrolitic –
30x30" - 7171 900
1x Professional Rangetop 36" 5
burners - 3169 900

TECHNICAL DATA



Oven Professional Pyrolitic (7171 900)



Professional Rangetop 5 burners (3169 900)

GALLERY



EQUIPMENT



Oven Professional Stainless Steel
30"



Professional Rangetop 5 burners

OPTIONAL ACCESSORIES



Cast Iron Wok Support

RECOMMENDED PAIRINGS



Cucinotta Hood 48"