

## Milano Induction Cooktop 2 Plate

Induction Cooktops

Code: 7323 945

Black ceramic glass  
Bevelled edge  
9 settings plus powerboost  
4 slider commands



### DETAILS

<b>Series</b>	Foster Milano
<b>Material</b>	Ceramic glass
<b>Coloring</b>	Black
<b>Dimensions</b>	15" x 20 1/2"
<b>Edge/Installation Type</b>	Bevelled Edge - for flush-mount or over-mount installation
<b>Heating element</b>	Two zones
<b>Cut out</b>	14 3/16" x 19 5/16"
<b>Electrical supply</b>	208-240V – 50/60 Hz

Total power	3,400 W @208 V 3,900 W @240 V
Up	7x8" - 1,900 / 2,200 W (3,400 / 3,900 Booster)
Down	7x8" - 1,900 / 2,200 W (3,400 / 3,900 Booster)
Power settings	9 power settings per zone + Powerboost
Safety	Safety equipment
Type	Induction Hob
Type of commands	Touch Control

## FEATURES

Powerboost	Booster function provides increased power to the selected plate. In particular, when the Booster is activated, the plate works for ten minutes at a very high power that allows to heat quickly large quantities of water.
Slider commands	The Slider control allows for extremely quick temperature setting: with a light touch of the finger you may select the desired power level on the TOUCH display.
Bridge zone	The new hobs with Bridge function allow to associate two zones forming a single extended cooking zone for pots of large size, or for more than one cooking simultaneously, with maximum flexibility in pot positioning. With the additional Double Booster feature provided by all Bridge hobs, the exceptional 3700 W power can be concentrated on a single plate or made available uniformly over the enlarged area.
Heat maintenance	Function that allows the food to be kept warm gently (70° C), without reaching boiling temperatures or risking to burn the sauce.
Pause	Useful function that allows you to distract your attention from cooking, interrupting and restoring the settings immediately.

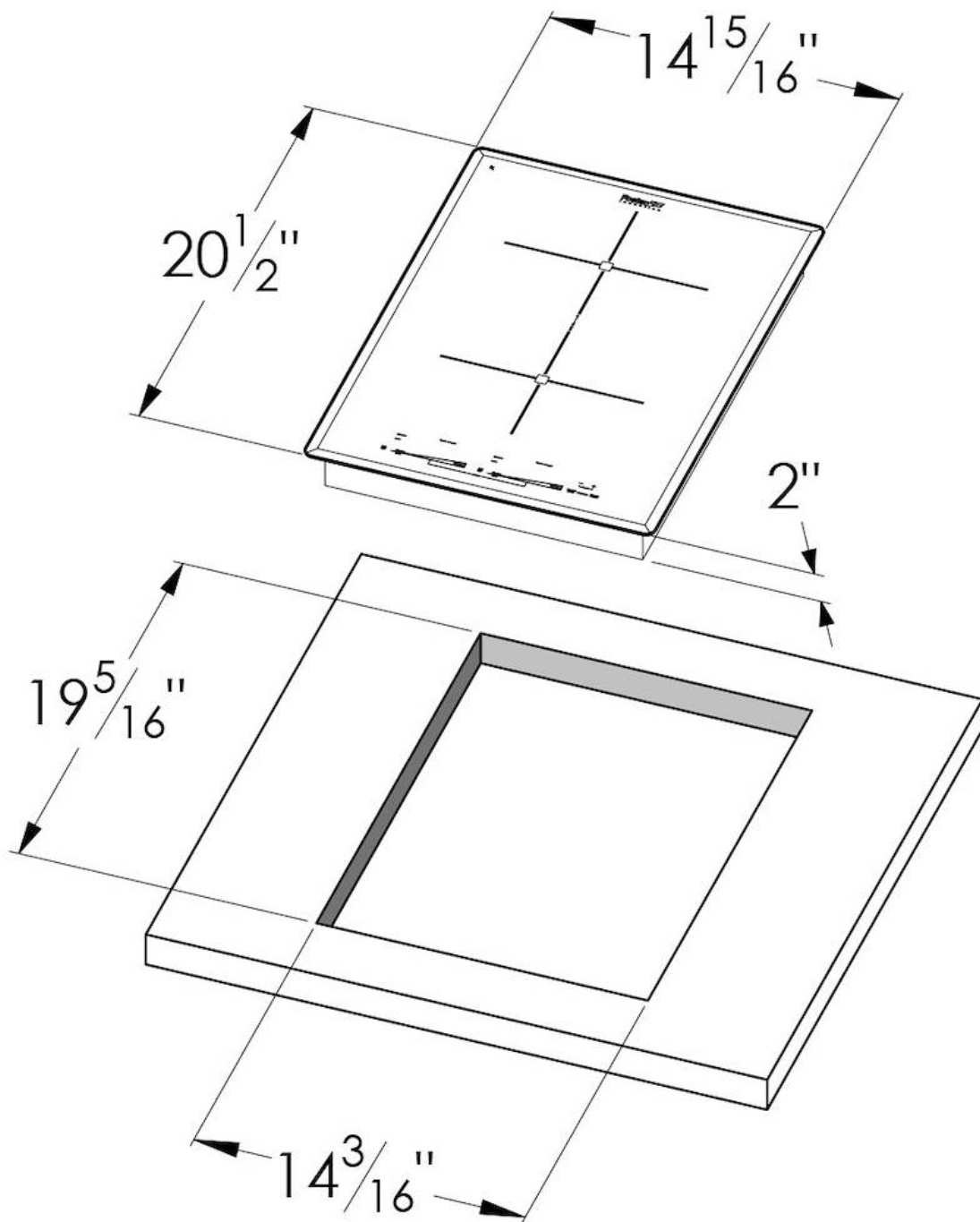
## Safety

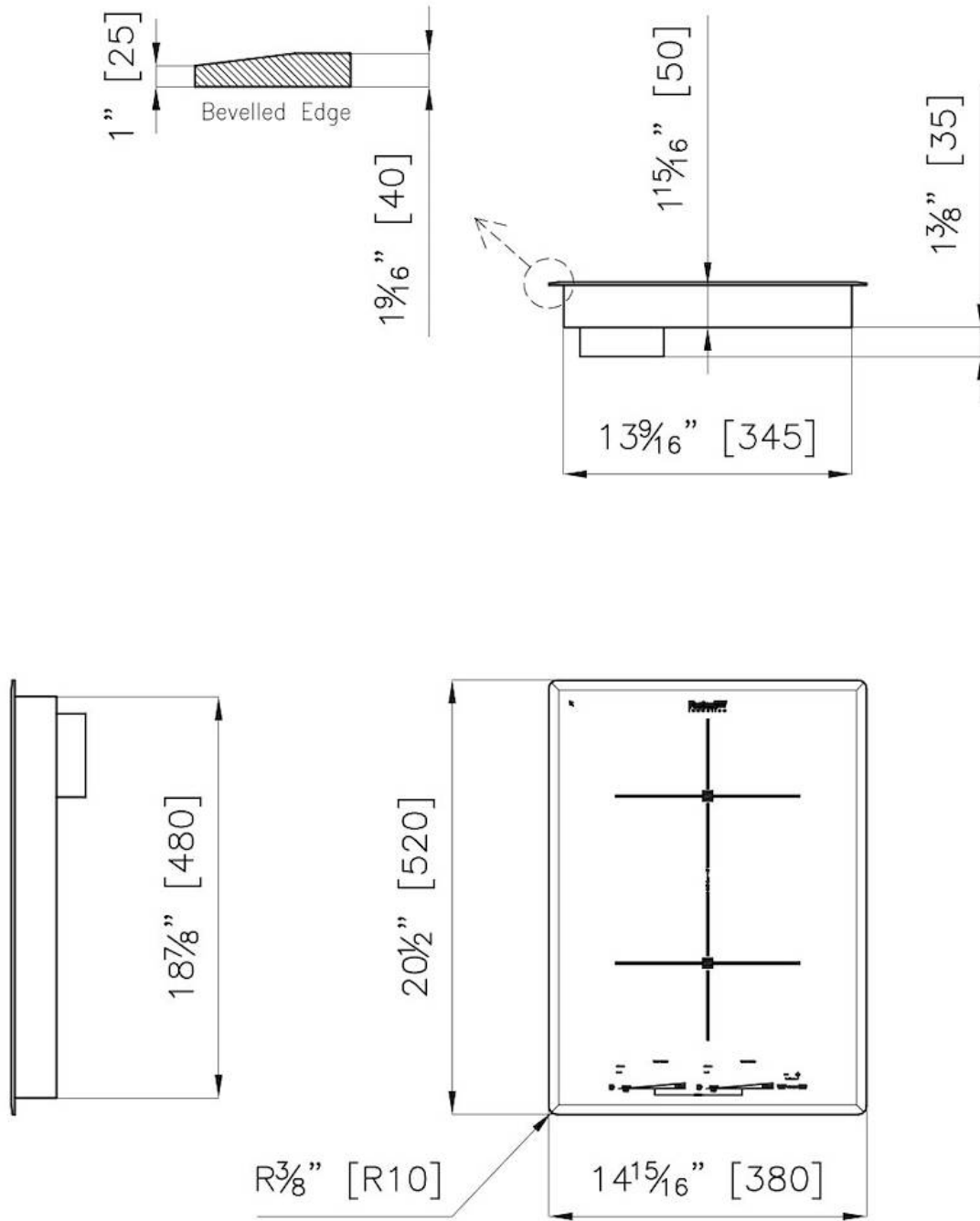
All electric cooker hobs feature the most modern and sophisticated safety protections: Centralised power-off function; Child-proof safety lock; Residual heat warning lights. Induction models feature the following functions: Safety System that turn off the hob in the absence of the pot; Overflow detector that automatically turns off the plate in case of liquid overflow; Automatic deactivation to prevent accidents caused by forgetfulness.

## Timer

Independent timer from the end-of-cooking function.

## TECHNICAL DATA





## GALLERY



## OPTIONAL ACCESSORIES



Induction Pro - Cookware set -  
8pcs

## RECOMMENDED PAIRINGS



Sink Leonardo 20" x 20" – U/M



Oven Milano single Glass 30"



Milano Island Hood