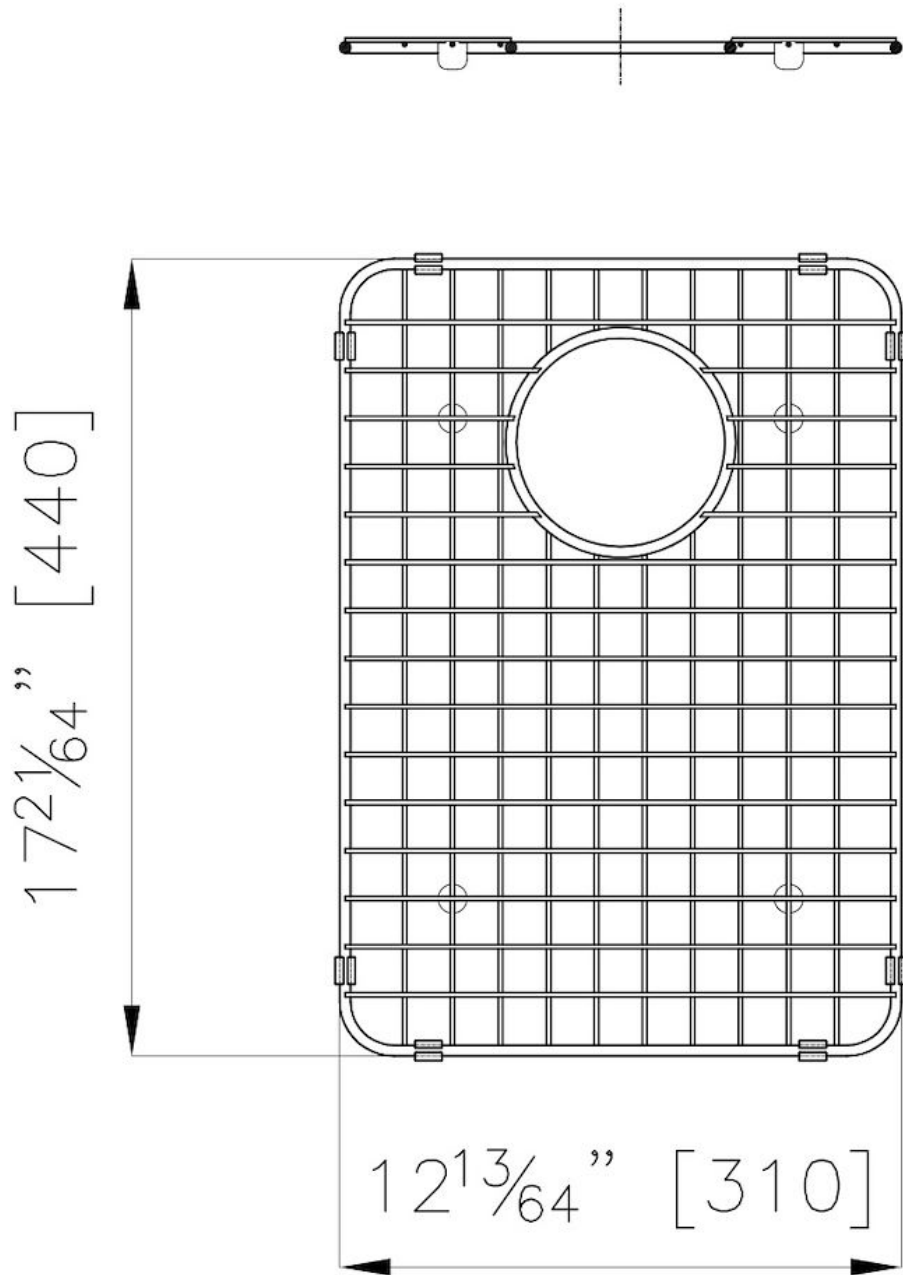




## TECHNICAL DATA



## RECOMMENDED PAIRINGS



**Armored Sink 15" x 20" – U/M**  
1235 660