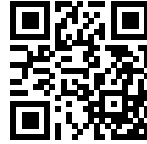


Kit "B"

Iroko-wood chopping board, stainless steel bottle holder

Equipped troughs accessories

Code: 8100 700



DETAILS

Equipped troughs accessories Multifunction kit

Type Standard

Dimensions 22 ¹/₁₆" x 5 ¹/₂"

Length 4 unit

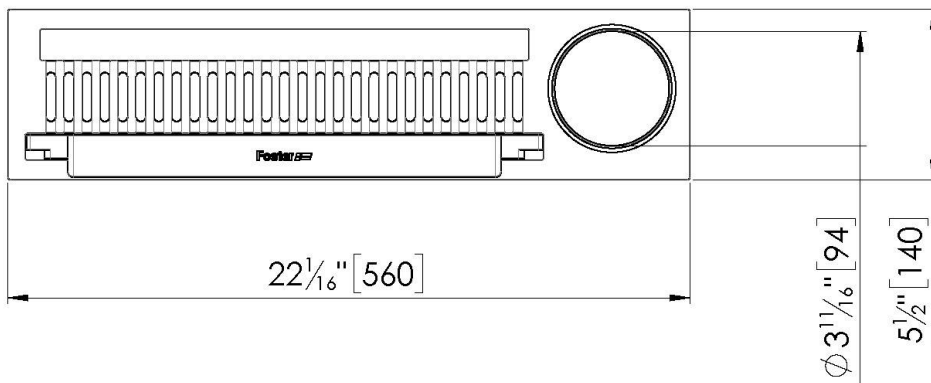
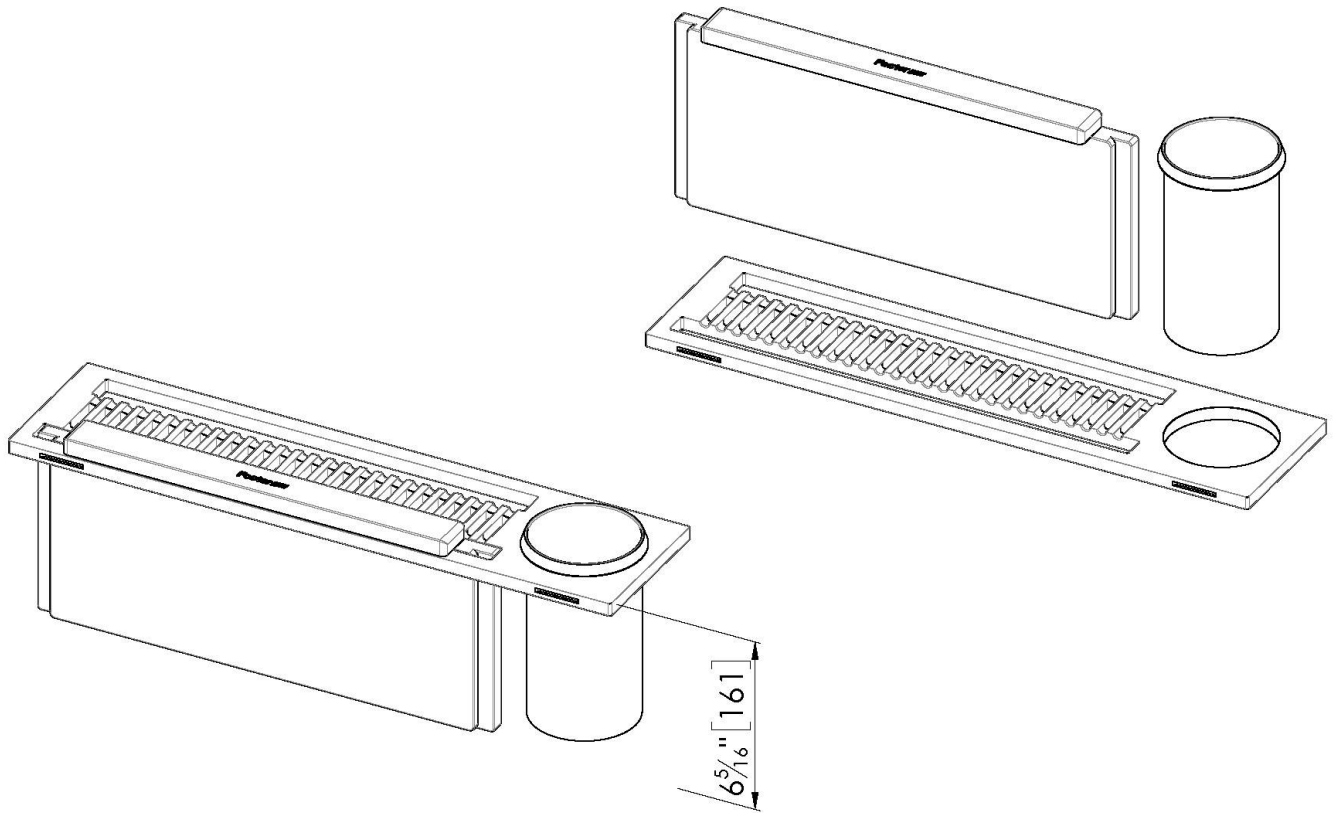
Key to understanding the accessories The lengths of the channels and accessories are indicated in "units"; for the composition, the sum of the "units" of the accessories must be the same as the length in "units" of the channel.

Notes: The following grids can be housed in the free space:
8100 600
8100 617

Notes: The chopping board can only be used in 15 ³/₄" deep bowls

TECHNICAL DATA

8100 700



- 1 x black support
- 1 x iroko cutting board
- 1 x bottle holder

OPTIONAL ACCESSORIES



Black grid
8100 617



Black Grid
8100 600



Knives-holder
8100 030