

## Kit "A"

Stainless steel perforated tray, Iroko-wood chopping board, stainless steel bottle holder

Equipped troughs accessories

Code: 8100 703



### DETAILS

Equipped troughs accessories    Multifunction kit

---

Type    Standard

---

**Dimensions**    22 <sup>1</sup>/<sub>16</sub>" x 5 <sup>1</sup>/<sub>2</sub>"

---

Length    4 unit

---

Key to understanding the accessories    The lengths of the channels and accessories are indicated in "units"; for the composition, the sum of the "units" of the accessories must be the same as the length in "units" of the channel.

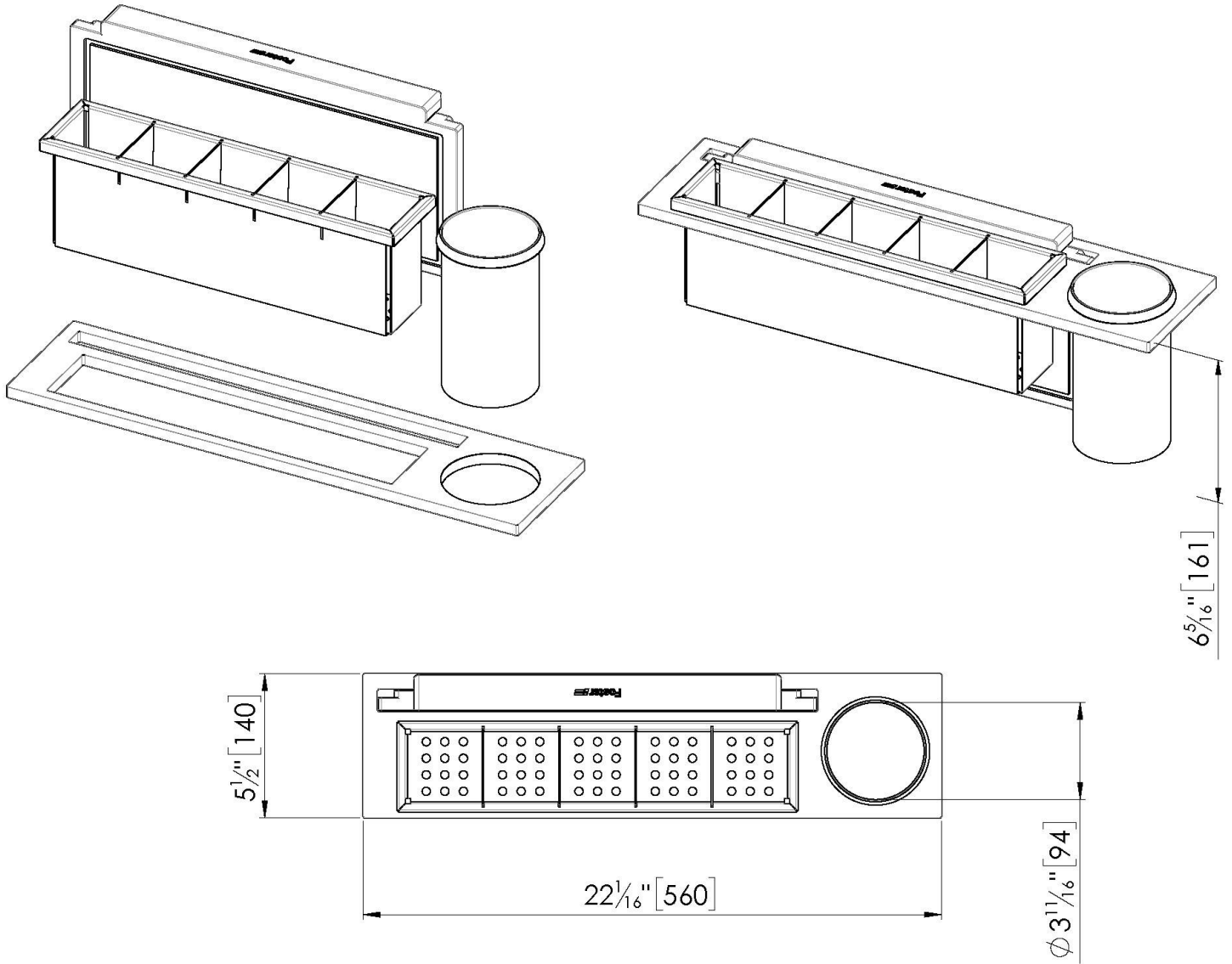
---

**Notes:**    The chopping board can only be used in 15 <sup>3</sup>/<sub>4</sub>" deep bowls

---

## TECHNICAL DATA

8100 703



- 1 x black support
- 1 x iroko chopping board
- 1 x tray 8151 004
- 1 x bottle holder

## OPTIONAL ACCESSORIES



**Knives-holder**

8100 030