

Kit "D"

Stainless steel bottle holder

Equipped troughs accessories

Code: 8100 704



DETAILS

Material Stainless steel

Type Standard

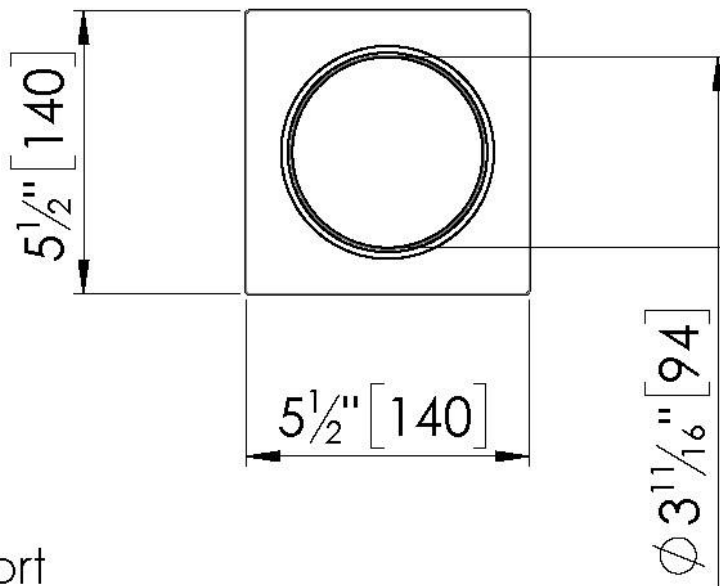
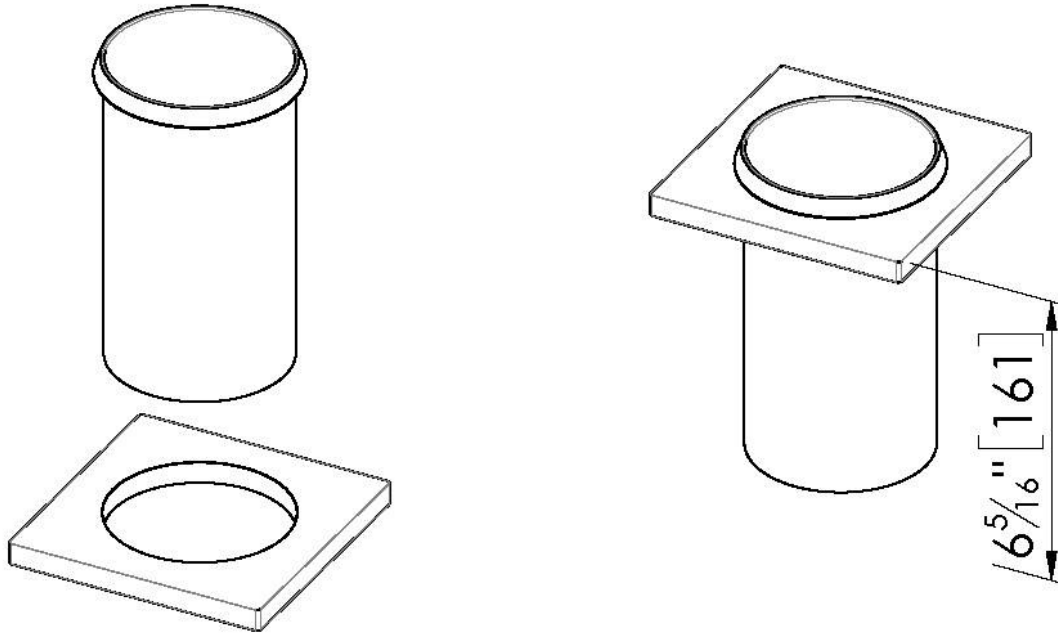
Dimensions 5 1/2" x 5 1/2"

Length 1 unit

Key to understanding the accessories The lengths of the channels and accessories are indicated in "units"; for the composition, the sum of the "units" of the accessories must be the same as the length in "units" of the channel.

TECHNICAL DATA

8100 704



1 x black support
1 x bottle holder

OPTIONAL ACCESSORIES



Knives-holder

8100 030