

Faucet Capri Gun Metal

Faucets

Code: 8467 605

Single lever mixer tap with rotating barrel and extractable shower head



DETAILS

Material	Brass
Texture	Polished
Finish	PVD
Coloring	Gun Metal
Cartridge	With ceramic discs
Rotating angle	180°
Mixer hole	Ø1 3/8"
Max worktop thickness	1 49/64"
Max flowrate	1.75 GPM (6,6 Lt/Min)

Mixer type Single lever faucet with rotating barrel and extractable double jet shower

Notes: Strengthening plate included

FEATURES

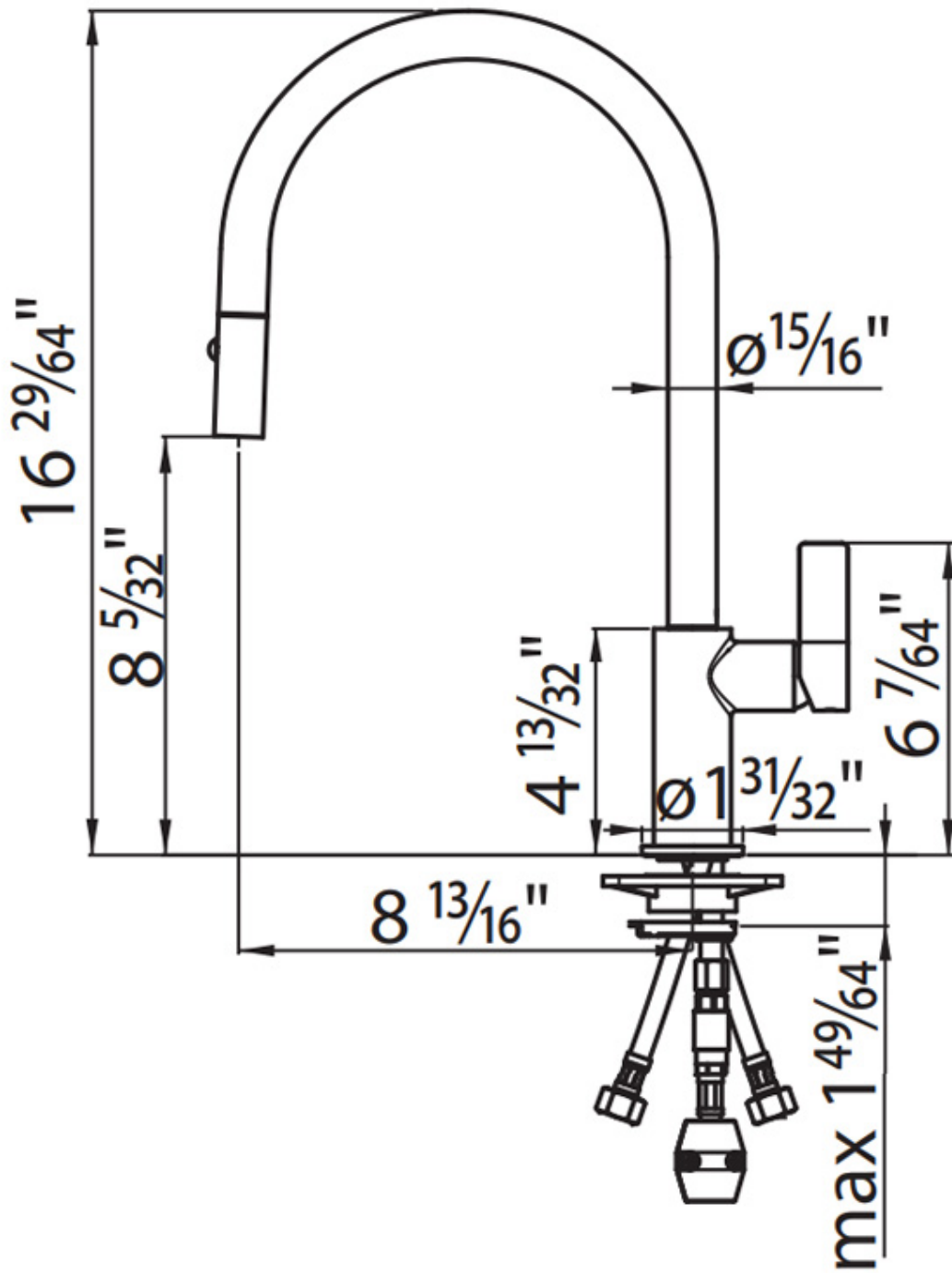
GUN METAL The Gun Metal finish is obtained by treating steel with a physical process called PVD (Physical Vacuum Deposition) which deposits particles of noble metals on the surface. The result is a unique and refined aesthetic effect, and an improvement of the mechanical properties of the steel which is more resistant to impact and scratches.

Rotating angle All the taps have a wide angle of rotation. Some models even permit a full 360° rotation.

Strengthening plate Foster's mixer taps are equipped with the strengthening plate that offers perfect stability on any sink.

Double jet (flow and rain) Several models are equipped with a switch to easily change the flow from continuous to shower.

TECHNICAL DATA



RECOMMENDED PAIRINGS



**Milano Cooktop Gun Metal 5
burners**

7638 906



**Sink Leonardo Gun Metal 33" x 20" –
U/M**

1014 666