

## Faucet Salina | Satin Finish

Faucets

Code: 8487105



### DETAILS

Texture Satin

---

Material Brass

---

Cartridge With ceramic discs

---

Rotating angle 360°

---

Mixer hole  $\varnothing 1 \frac{3}{8}''$

---

Max worktop thickness  $1 \frac{19}{64}''$

---

Mixer type Single lever faucet with rotating barrel and extractable double jet shower

---

**Notes:** Strengthening plate included

---

### FEATURES

## Rotating angle

All the taps have a wide angle of rotation. Some models even permit a full 360° rotation.

---

## Strengthening plate

Foster's mixer taps are equipped with the strengthening plate that offers perfect stability on any sink.

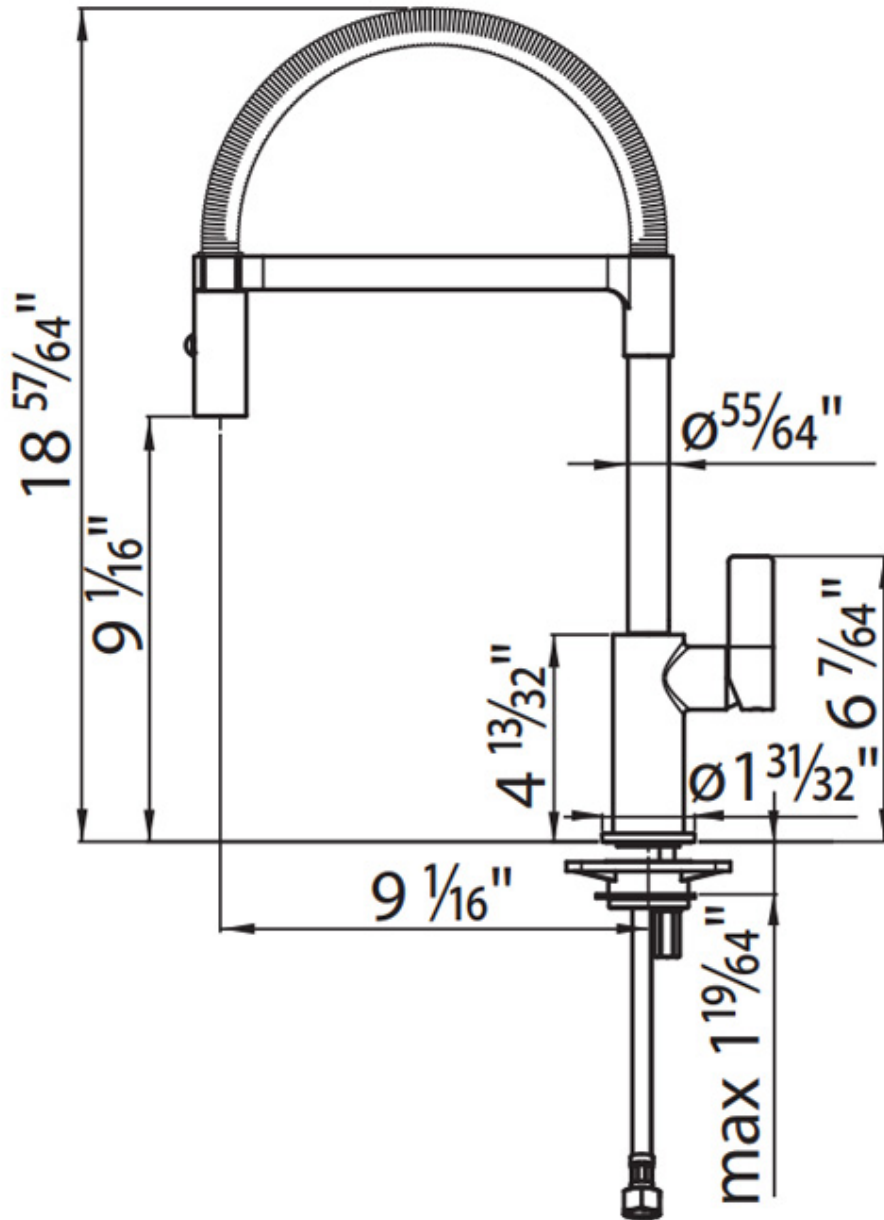
---

## Double jet (flow and rain)

Several models are equipped with a switch to easily change the flow from continuous to shower.

---

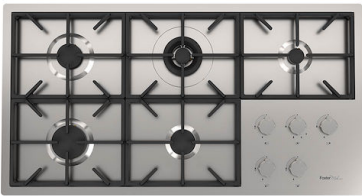
## TECHNICAL DATA



## GALLERY



## RECOMMENDED PAIRINGS



Milano Cooktop 5 burners



Sink Leonardo 33" x 20" – U/M