

## Faucet Salina



Faucets

Code: 8487 005

Polished finish



### DETAILS

Material Brass

---

Texture Polished

---

Cartridge With ceramic discs

---

Rotating angle 360°

---

Mixer hole  $\varnothing 1 \frac{3}{8}''$

---

Max worktop thickness  $1 \frac{19}{64}''$

---

Max flowrate 1.75 GPM (6,6 Lt/Min)

---

Mixer type Single lever faucet with rotating barrel and extractable double jet shower

---

**Notes:** Strengthening plate included

---

## FEATURES

Rotating angle All the taps have a wide angle of rotation. Some models even permit a full 360° rotation.

---

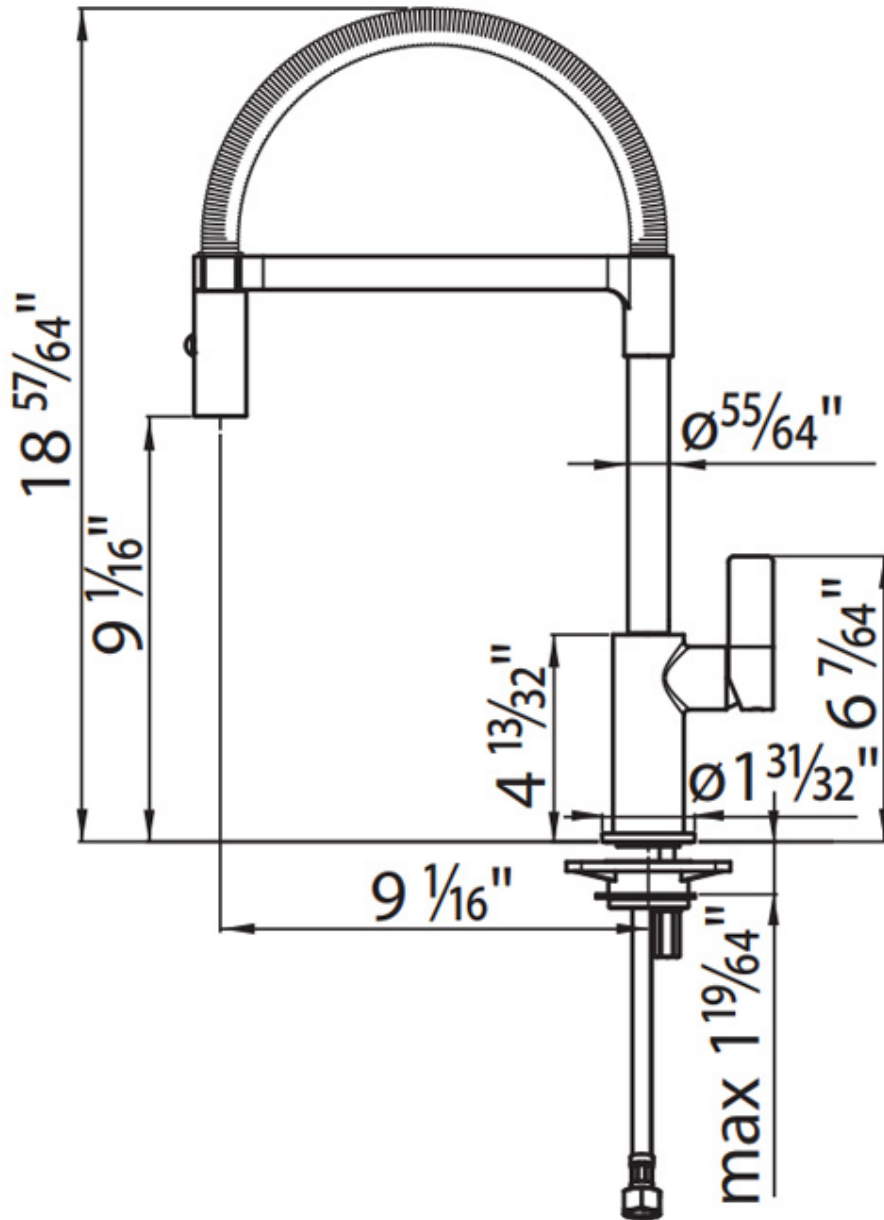
Strengthening plate Foster's mixer taps are equipped with the strengthening plate that offers perfect stability on any sink.

---

Double jet (flow and rain) Several models are equipped with a switch to easily change the flow from continuous to shower.

---

## TECHNICAL DATA



## RECOMMENDED PAIRINGS



**Milano Cooktop 5 burners**  
7638 900



**Sink Leonardo 33" x 20" - U/M**  
1014 660