

## Chopping Board

Accessories

Code: 8659 111



### DETAILS

Material Iroko Wood

---

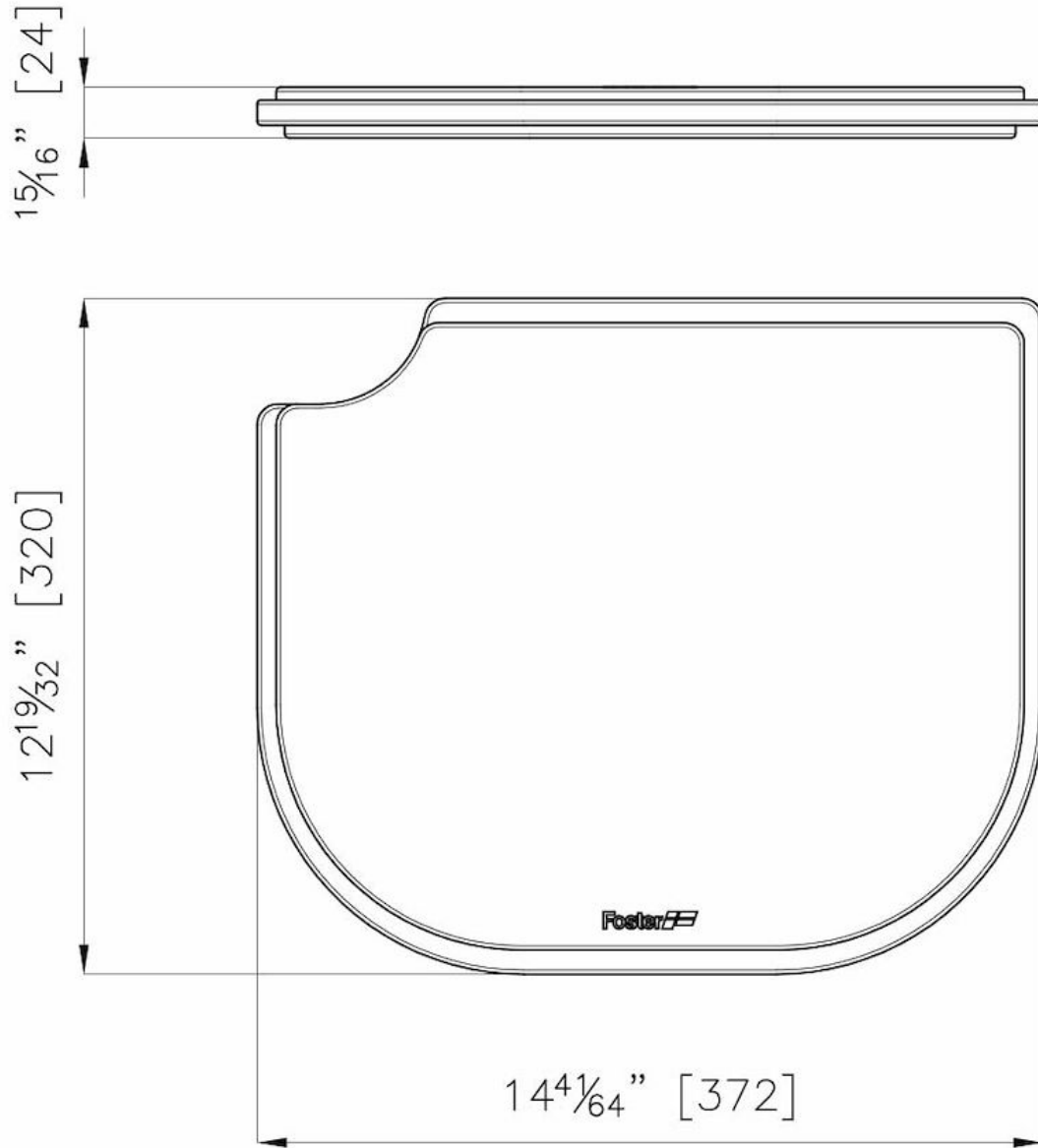
Sink accessories Wooden cutting boards

---

**Dimensions** 37,2x30 cm  
14 <sup>41</sup>/<sub>64</sub>"x12 <sup>19</sup>/<sub>32</sub>"

---

## TECHNICAL DATA



## GALLERY

