

Foster

S-DD2-L FLUSH TOP

GHOST 2451 946

*** BEFORE INSTALLATION ***

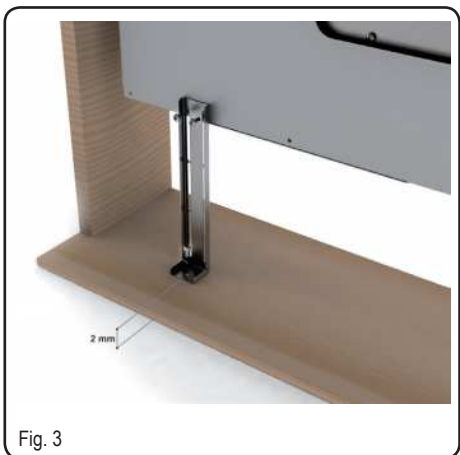
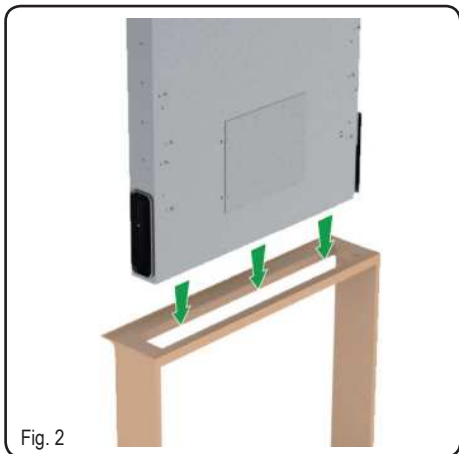
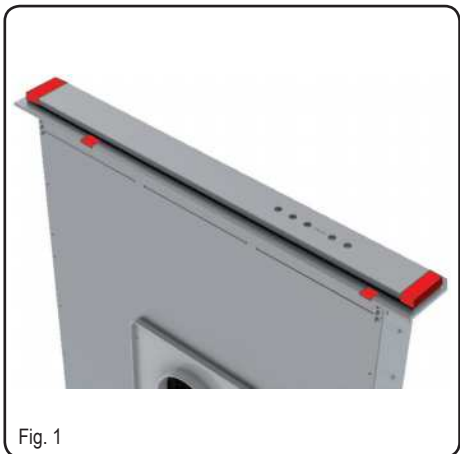
ENSURE THERE IS NO VISIBLE OR HIDDEN DAMAGE SUSTAINED
DURING SHIPPING



*** SHIPPING DAMAGE ***

MUST BE REPORTED WITHIN 5 DAYS OF RECEIPT

IMAGES



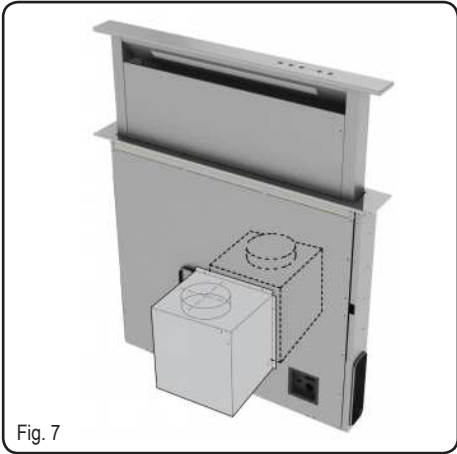


Fig. 7

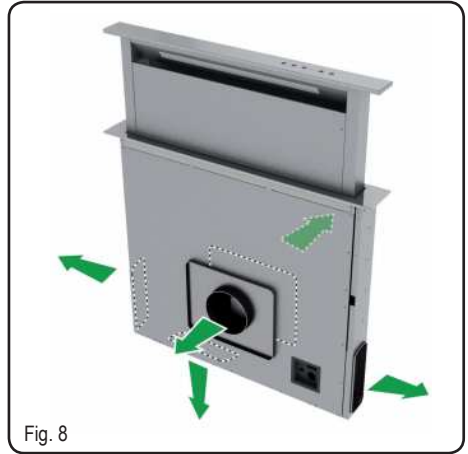


Fig. 8

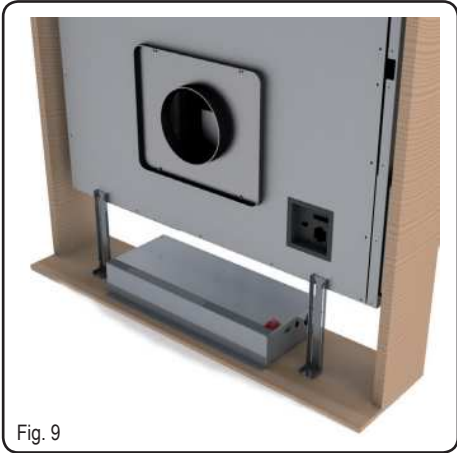


Fig. 9

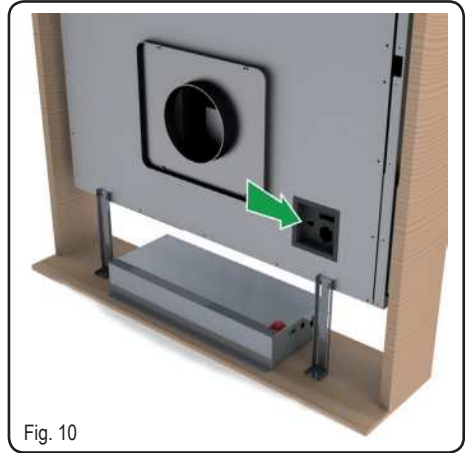


Fig. 10

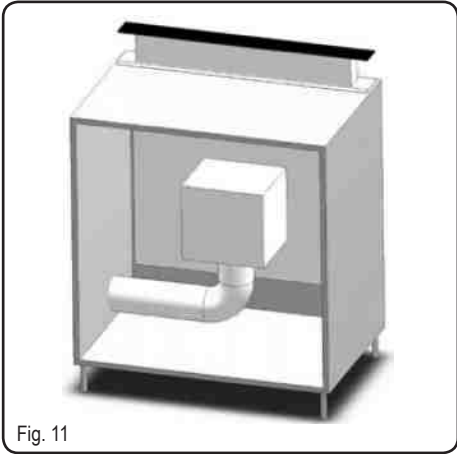


Fig. 11



Fig. 12

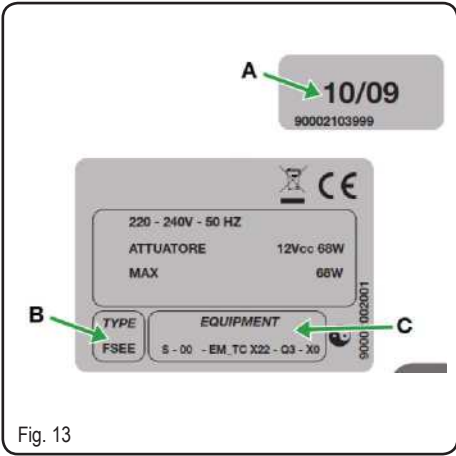


Fig. 13

CONTENTS

DESCRIPTION OF THE APPLIANCE	11
INSTALLING THE HOOD	12
Grease filter removal, mounting the activated charcoal filter	14
Electrical connection of the hood	15
HOW THE COOKER HOOD WORKS	16
CLEANING THE COOKER HOOD	18
OPERATIONAL ANOMALIES	19
AFTER SALES SERVICE	19
GUARANTEE	20

WARNING

*Thank you for purchasing a Foster Range Hood.
Please read all the instructions in this manual before installing the appliance.*

Save these instructions for future reference.

Only use this appliance as an exhaust ventilation system for the removal of cooking vapors. **DO NOT** use to expel flammable substances or any other materials or vapors.

The installation procedures in this manual are intended for qualified installers, service technicians or persons with similar qualified background. **DO NOT** attempt to install this appliance yourself.

Ensure that electrical power is turned off at source before commencing installation. All electrical wiring must be properly installed, insulated and grounded and conform to all applicable codes and standards.

Make sure all existing duct work is clean of grease build up, or duct work should be replaced, if necessary, to avoid the possibility of a grease fire. Check all joints on ductwork to ensure proper connection and all joints should be properly taped. Be careful when cutting through ceilings or walls not to damage any hidden pipes or electrical wiring. Ensure your kitchen has sufficient air return vents to replace the exhausted air.

Fan ducts should always be vented to the outside of your home and never into spaces within walls, ceilings, lofts or attics. Only use rigid, smooth steel for ducting. The exhaust point of the blower requires a 6" round connection.

TO THE ATTENTION OF THE USER

It is designed to work in both suctioning mode, with outside evacuation, and filtering mode.



WARNING



Keep these instructions for use with the appliance. If the appliance should be sold or passed on to others, make sure that the instructions are passed on with it. We thank you for taking note of these suggestions before installing and using the appliance. They have been written for your personal safety and the safety of others.

SAFETY INSTRUCTIONS

These hoods have been designed for personal use in the home. The appliance must be used by adults. Make sure that the appliance is out of reach of children and that they do not use it to play with. Make sure that children do not operate the controls.

- When the appliance is delivered, check the overall appearance of the packaging. Any remarks should be written on the delivery coupon, of which you keep a copy. Your appliance is designed for normal domestic use. It is not designed for commercial or industrial use, or for purposes other than those for which it was designed.

- Any consequences of or damage from incorrect installation or incorrect use of the appliance will not be covered by the manufacturer's guarantee.

- Do not ever change or try to change the characteristics of this appliance. This would be a danger. Repairs must be performed only by an authorised technician.

Always disconnect the hood before carrying out cleaning or maintenance operations.

- Adequately ventilate the room when a cooker hood and other appliances, powered by energy other than electricity, are used simultaneously, so that the hood does not suck any combustion fumes.

- It is not allowed to cook food over open flames (flambé) or operate gas hobs without pots or pans on them under the hood itself (the flames sucked into the hood might damage the appliance).

- Frying under the appliance must be done under constant supervision as hot oils and fats may ignite.

Respect the guidelines for cleaning and replacement of grease filters. Accumulated deposits of grease are a fire hazard.

- This appliance must not be used over cook tops powered by wood or coal or in any case, over cook tops with power levels that could damage the appliance.

Never use steam or high-pressure devices for cleaning your hood (regulations regarding electrical safety).

- Never use the cooker hood without the grease filters.

- The minimum distance between the Downdraft (closed) and the surface above it must be at least 400 mm.

- When handling the downdraft, never put your hands in the field of action of the extractable unit.

Constantly seeking to improve our products, we reserve the right to modify their technical, functional, or aesthetic characteristics deriving from their upgrading.

In the case of the version with external motor, for normal downdraft operation, it is necessary to use a suctioning unit (external motor) made by the same manufacturer.

The air collected must not be conveyed into a flue used for smoke or fumes from appliances powered by anything other than electricity (central heating systems, etc.). As far as discharging exhaust air is concerned, please follow the guidelines given by competent authorities.

TO THE ATTENTION OF THE USER

It is designed to work in both suctioning mode, with outside evacuation, and filtering mode.



WARNING



Keep these instructions for use with the appliance. If the appliance should be sold or passed on to others, make sure that the instructions are passed on with it. We thank you for taking note of these suggestions before installing and using the appliance. They have been written for your personal safety and the safety of others.

SAFETY INSTRUCTIONS

These hoods have been designed for personal use in the home. The appliance must be used by adults. Make sure that the appliance is out of reach of children and that they do not use it to play with. Make sure that children do not operate the controls.

- When the appliance is delivered, check the overall appearance of the packaging. Any remarks should be written on the delivery coupon, of which you keep a copy. Your appliance is designed for normal domestic use. It is not designed for commercial or industrial use, or for purposes other than those for which it was designed.
- Any consequences of or damage from incorrect installation or incorrect use of the appliance will not be covered by the manufacturer's guarantee.
- Do not ever change or try to change the characteristics of this appliance. This would be a danger. Repairs must be performed only by an authorised technician. Always disconnect the hood before carrying out cleaning or maintenance operations.
- Adequately ventilate the room when a cooker hood and other appliances, powered by energy other than electricity, are used simultaneously, so that the hood does not suck any combustion fumes.

- It is not allowed to cook food over open flames (flambé) or operate gas hobs without pots or pans on them under the hood itself (the flames sucked into the hood might damage the appliance).

- Frying under the appliance must be done under constant supervision as hot oils and fats may ignite.

Respect the guidelines for cleaning and replacement of grease filters. Accumulated deposits of grease are a fire hazard.

- This appliance must not be used over cook tops powered by wood or coal or in any case, over cook tops with power levels that could damage the appliance.

Never use steam or high-pressure devices for cleaning your hood (regulations regarding electrical safety).

- Never use the cooker hood without the grease filters.

- The minimum distance between the Downdraft (closed) and the surface above it must be at least 400 mm.

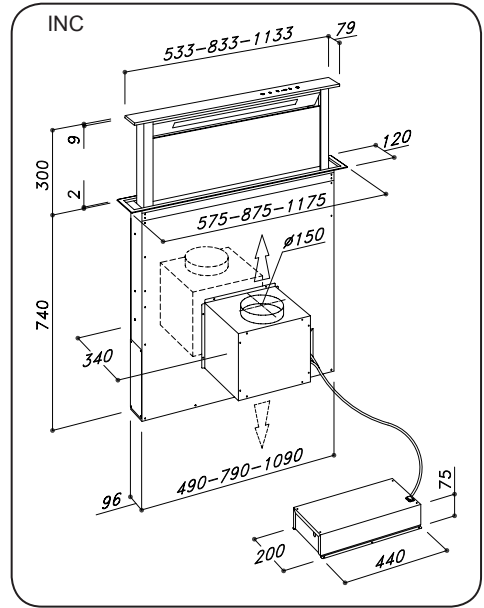
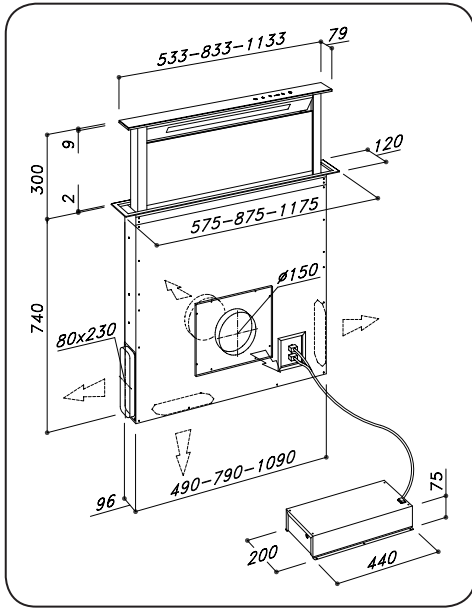
- When handling the downdraft, never put your hands in the field of action of the extractable unit.

Constantly seeking to improve our products, we reserve the right to modify their technical, functional, or aesthetic characteristics deriving from their upgrading.

In the case of the version with external motor, for normal downdraft operation, it is necessary to use a suctioning unit (external motor) made by the same manufacturer.

The air collected must not be conveyed into a flue used for smoke or fumes from appliances powered by anything other than electricity (central heating systems, etc.). As far as discharging exhaust air is concerned, please follow the guidelines given by competent authorities.

DESCRIPTION OF THE APPLIANCE



INSTALLING THE COOKER HOOD

1. Before carrying out the appliance installation, please check that all components are not damaged, in such a case contact your retailer and do not carry out any installation operation.

Before the installation of the Downdraft, please remove the safety piece you can see in the picture (**Fig. 1**). Furthermore, please read carefully all of the following installation instructions.

- Use an air exhausting pipe whose maximum length does not exceed 5 meters.
- Limit the number of elbows in the piping, since each elbow reduces the air capacity of 1 linear meter. (Ex.: if you use no. 2 x 90° elbows, the length of piping should not exceed 3 meters).
- Avoid abrupt direction changes.
- Use a 150 mm. constant diameter pipe for the whole length.
- Use piping approved by standards in force.

The manufacturer shall not be deemed responsible for air capacity or noise problems caused by failure to comply with the above instructions and no warranty on the product shall be provided.

2. Before making the hole, check that there are no structural or other parts inside the cabinet, where the appliance is to be placed, which could hinder a proper installation. Check that the dimensions of the Downdraft and the ones of the cook top are compatible with the cabinet so that the installation can be carried out properly.
3. Make a rectangular opening, 842 x 100 mm in size, in the back of the cook top for the 90 cm model and 542 x 100 mm for the 60 cm model and 1142 x 100 mm for the 120 cm model. In the version with the motor already installed, remove the screws and the suctioning unit in order to insert the down-draft in the hole made.
4. Put the Downdraft in the opening, inserting it from above as shown in (**Fig. 2**).

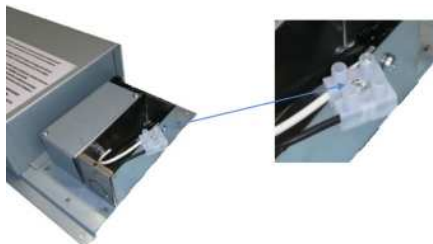
5. Fix the downdraft inside the cabinet, using the special fixing brackets supplied with the product (**Fig. 3**).

Insert the brackets in the lower side of the downdraft (**Fig. 3**), in such a way that there is a 2 mm distance between the lower side of bracket and the bottom of the cabinet (**Fig. 3**). This distance will allow the traction to be positioned downwards of the product, at the moment of fixing, in order to have the stainless steel trim perfectly adhering with the work surface. Before inserting the screws, please make sure that the appliance is perfectly perpendicular with the work surface.

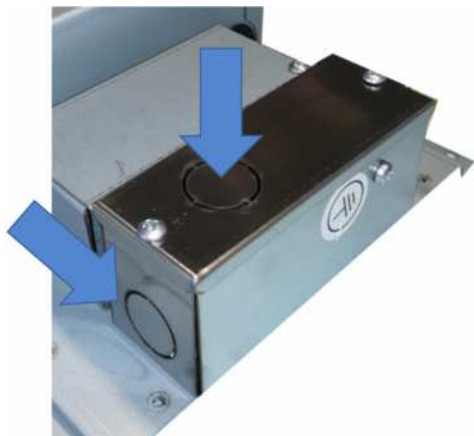
6. Remove the two screws of the box cover to connect the power supply.



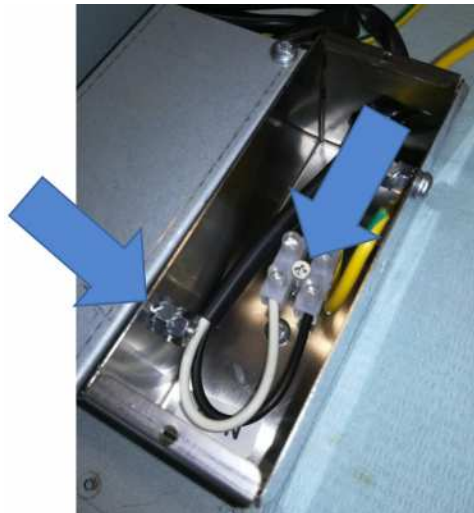
Remove the “m3” screw that secures the connector inside the box.



After choosing the hole for the power cable entry, open the hole by removing the metal material with a tool.



Place a special cable gland (not supplied) and insert the power cable. Connect the files for power supply and connect the ground wire into the screw using an eyelet connector.



Then connect the 6-pole motor connector to the connector in the wiring box.

7. Once the installation is complete and after connecting the appliance to the mains power, lift up the downdraft and remove the door block (Fig. 4); then open the door (Fig. 5) and fit the filters in place (Fig. 6). In the version of the Downdraft equipped with internal motor, install the power unit orienting the air outlet to the desired position, either downwards or upwards (Fig. 7).

The motor can be installed either on the front or rear side of the downdraft After having installed the motor, connect the air ducts.

8. For versions with external motor, place the suctioning unit (external motor) in a suitable area and fit the exhaust air flue as illustrated. Then fit the air outlet ducts between the external motor and the downdraft. Select an air outlet from the five possibilities (Fig. 9) and fit the union supplied with the appliance.

9. Place the metal box with the electronic components in an easily reachable area for eventual technical assistance operations. (Fig. 9), connecting the three connectors (9 pole connector for the actuator control and the safety control, 4 pole connector for neon lamp turn on and push-button connector) (Fig. 10).

10. For external motors, connect the motor unit cable to the relevant connector on the electrical components box.

11. Power the cookerhood.

HOW TO USE THE COOKER HOOD

This appliance is intended to suck cooking fumes, greases and steam. It has been designed to work in both suctioning mode, with outside evacuation, and filtering mode.

Outside - discharge version

The cooker hood can be mounted in the version with outside discharge of suctioned air: in this case it is necessary to connect the exhausting channel to the outside (exhausting pipes are not supplied with the products.)

Non-return valve blockage



WARNING



Before connecting the air exhaust hose, make sure that the non-return valves can rotate freely.



In case of outside air discharge installation, fit a non-return valve to prevent wind and back air from entering.

Filtering mode

In case fumes and vapour cannot be evacuated outside, the appliance can be used in the filtering mode.

Activated charcoal filters are required for this type of cooker hood.

Air recycled through the charcoal filters is recirculated into the kitchen, thanks to a duct conveying the air on one side of the cabinet (**Fig. 11**).

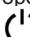


CAUTION



Installation must comply with the regulations in force regarding the ventilation of enclosed environments. In particular, discharged air must not be conveyed into a duct used for fumes discharge or discharge from appliances using gas or other combustible materials. The use of discontinued ducts is not allowed without the approval of a qualified technician.

GREASE FILTER REMOVAL, MOUNTING THE ACTIVATED CHARCOAL FILTER

The removal and fitting of the grease and carbon filters need to be carried out with the downdraft in the open position. To open the downdraft, push the  key.

Then remove the front panel, pulling the upper part of each side at the same time. The panel will rotate forwards to make it possible to access the grease filters (**Fig. 6**). Remove the grease filters to access the carbon filters (**Fig. 12**).

Charcoal filters shall be replaced accordingly to the effective use of the Downdraft, and in any case at least once every 6 months.



WARNING



After having replaced the filters, reinstall the front stainless panel, otherwise the Downdraft is not enabled to function.

ELECTRICAL CONNECTION OF THE COOKER HOOD



WARNING



Place the metal box containing the electronic components at a distance of no less than 65 cm from gas-operated cook tops or in any case, 65 cm from the suctioning surface of the cookerhood.



NOTA



We recommend installing the metal box containing the electronic components at least 10 cm above floor level and at a suitable distance from all heat sources (e.g. oven sides or cook top).



CAUTION



This appliance is fitted with an H05 VVF 3 conductor, 0.75 mm² (neutral, phase, and ground) power cord.

This can be connected up to a 220 - 240 V mono-phase electrical network through a CEI 60083 approved power socket, which must remain accessible after installation, in compliance with installation regulations.

We decline any responsibility in case of accidents caused by a lack of ground connection or incorrect ground connection. The appliance must be fed through a differential protection device (RCD), with a nominal residual current not exceeding 30mA. If the power cord is damaged, call the after-sales service to avoid any risk.



WARNING



The downdraft connection to the electrical network must be carried out only by professional and qualified technicians.

The downdraft must be connected to a properly installed and suitable electrical network. The electrical system must comply with VDE0100 standard.



DANGER



If the cooker hood presents any anomaly, disconnect the appliance or remove the fuse corresponding to the appliance power disconnecting line.

If the appliance has no plug or if the plug is not easily accessible, then a device needs to be fitted to cut it off from the electric network; this device must have an opening distance between contacts on all poles of at least 3 mm.

ELECTRICAL CONNECTION



NOTA



This appliance complies with the European Directives 2006/95/EC (Low Voltage Directive) and 2004/108/EC (Electromagnetic Compatibility).

While installing the appliance and carrying maintenance operation, make sure it is disconnected from the electrical network or the fuses are cut out or removed.

Check that:

- Power is enough.
- Feeder lines (mains) are in good conditions.
- The cables diameter complies with installation regulations.

HOW THE COOKER HOOD WORKS

MODEL SDD2-L GLASS VERSION

A: Light ON/OFF key

The light switches on and off only when the carriage is fully OPEN.

Pressing this button with the carriage closed will cause the carriage to open and then the light will switch on.

The button also serves to switch off the light if it is on.

B: ON/OFF key

This starts the extraction carriage upward movement and when it is fully open, it sets the second extraction speed.

With the carriage open: it switches off the motor and if on, the light; then it retracts the extraction carriage.

C: Key

This reduces the speed of the extractor motor from the 4th speed until the motor switches off, without closing the pull-out carriage.

D: Indicators

- This signals the speed setting, by only the relevant LED switching on.
- This signals that all filters have been saturated by all LEDs switching on.

E: Key

This increases the speed of the extractor motor, from 1st to 4th speed, without moving the extractor panel.

F: Timer

10 min after setting, it serves to stop the extractor motor, close the carriage and switch the lights off, if they are on. The set function is signalled by the flashing LEDs "D" for the set speed. The timer can be cancelled by pressing the key again.

Other functions:

Automatic turn off:

After 4 hours of continuous working from the last setup, the appliance turns off and closes automatically.

Grease filters saturation:

After 30 hours of working, the speed indicators "D" will all flash simultaneously, signaling the grease filters saturation.

To reset this alarm, hold down the "TIMER" button for at least 3 seconds, while the carriage is open.

Calibration:

The cooker-hood carries out its self-calibration every 3 complete cycles of its extractable unit.

By pushing the "TIMER" key 6 times consecutively (MAX break between one push and the other is 3 sec.) all the leds will flash and the calibration will be reset.

After the next 3 cycles the downdraft will carry out its self-calibration.

Stand-by:

When the extractable unit is closed and the light is switched off, the control panel, after 6 seconds, activates the Stand-by function, reducing the brightness of the leds.

This function can be stopped by pressing ON/OFF or LIGHT key.

Security system:

If there is an obstacle while the extractable unit is closing, the Downdraft stops closing and rises again thanks to a security system.

**WARNING**

This operation has to be carried out by a specialized technician.

CLEANING THE COOKER HOOD


Careful maintenance ensures proper operation and good performances over time.



CAUTION



The hood must be disconnected from the electrical network, both by unplugging the appliance from the socket and activating the magnetic circuit breaker (safety cut-out), before removing the metal grease filters. After cleaning operations, replace the metal grease filters as outlined in the installation instructions.

MAINTENANCE	HOW TO PROCEED?	ACCESSORY PRODUCTS TO USE
External surfaces and accessories	Do not use metallic scrubbers, abrasive products, or hard brushes.	To clean the external surfaces of the cookerhood and the light housing screen use only commercially available household detergents diluted in water. Then rinse with clean water and dry with a soft cloth.
Active charcoal filter with extractable unit open	After 30 hours of operation, the downdraft will signal the grease filter saturation. The saturation is signaled by the blinking of the 4 central leds. To reset, hold down the timer button  for at least 3 seconds, while the carriage is open.	The grease filters can be washed by hand or in the dishwasher. These filters need to be cleaned on a regular basis, because otherwise they may represent a fire risk. Refit the grease filters and front panel, making sure that the panis properly fitted at the sides so that it does not cause the downdraft to stop operating.
Active charcoal filter	In the recirculation mode, the active charcoal filter must be replaced periodically. To remove the charcoal filter first of all it is necessary to remove the grease filter and then pull the plastic key of the panel itself, in order to disengage it from its seating. Follow these steps in reverse order to insert the active charcoal filter. Replace the used charcoal filter on an average of every six months.	

OPERATIONAL ANOMALIES

PROBLEM	SOLUTION
The cooker hood does not work...	Check that: <ul style="list-style-type: none"> • There is not a power outage. • A specific speed has actually been selected. • The 9 pole connection is inserted properly. • The red reset key, found over the electrical system box, is pushed. • Make sure that the wires of the 9 pole connection are inserted properly in the connector itself (during the connection phase, an excessive pressure could bend the contacts).
The cooker hood has low performances...	Check that: <ul style="list-style-type: none"> • The motor speed selected is sufficient for the quantity of fumes and vapors present in the room. • The kitchen is ventilated well enough to allow air for intake. • The charcoal filter is not worn out.(filtering version cooker hood). • The air outlet channel is free and compliant with paragraph no. 2. • The non-return valves of the suctioning unit are free to rotate.
The cooker hood stops in the middle of operation.	Check that: <ul style="list-style-type: none"> • There is not a power outage. • The omnipolar device has not tripped.

AFTER SALES SERVICE

Any maintenance operation on your appliance should be carried out by:

- Either your retailer;
- Or another qualified professional technician, authorized for that brand.



When calling, please mention the appliance details (Type Fig. 13A and equipment Fig. 13B and production date Fig. 13C).

This information is mentioned on the rating label and the production date one placed on the lower side of the downdraft.

GENERAL CONDITIONS OF GUARANTEE

WHAT IS COVERED:

FOSTER guarantees its products for a period of 24 months from the date of original purchase by final customer, in both EU countries and countries outside the EU where recognized. The purchase must be verified with a valid receipt issued by the dealer (receipt, invoice or delivery note) that identifies the purchased product, date of purchase and / or delivery of the same.

The buyer must report any esthetical defect within the first month of purchase of the product.

The warranty covers manufacturing defects to all components except for the external piping and / or any accessories.

WHAT IS NOT COVERED:

- Damage caused during installation of the product (reversing doors, removing screws or brackets, adjusting feet, burners, etc.)
- Damage derived from the connection of the power, gas, water and/or electricity supply.
- Damage to knobs, handles, plastic parts, removable panels, lamps, glass parts and external rubber tubes.
- Damaged caused from accident, alteration, misuse, abuse, fire, flood, acts of God, improper installation or use of products not approved by Foster.
- Damage to external components on which the consumer may intervene directly during use and / or maintenance, and which may be subject to wear.
- The formation of rust and stains on the steel due to the use of unsuitable cleaning agents.
- Any functional defect indicated by the user and not confirmed during the process of verification by the technician. In this case the intervention fee will be charged in full to the consumer.
- Any parts that are Damaged from transportation not carried out by a Foster approved carrier.
- Incorrect installation or maintenance, insufficient or excessive electrical flow, plumbing or gas abnormalities, insufficiency of the chimneys, and poor fuel quality.
- Failure to follow the Foster instruction manual.
- Repair by unauthorized personnel.
- This warranty applies to appliances used in residential application; it does not cover their use in commercial situations, which are not allowed for this product.
- Travel fees and associated charges incurred when the product is installed in a location with limited or restricted access (i.e., isolated geographic regions located beyond 50 miles from the nearest Foster dealer).
- Also not included are service visits to:
 - a) Educate the customer in the proper use and care of the product.
 - b) Correct the installation. The customer is responsible for providing electrical wiring and/orgas installation and other connecting facilities.
 - c) Reset circuit breakers or replace home fuses.

Should the appliance be sold by the original purchaser during the warranty period, the new owner continues to be protected until the expiration date of the original purchaser's warranty period.

During the warranty period, FOSTER will replace, or repair free of charge, all components that are defective in origin, leaving unchanged the deadline and the warranty acquired at the time of purchase. The repair is free of charge provided it is carried out by an authorized FOSTER Technical Assistance Centre.

If the equipment is repaired at one of the Authorised Service Centres indicated by the manufacturer and in the case of replacement of the product, shipping will be free of charge. In cases where repair at home is declined, transport to and from the assistance centre will not be paid for or provided by FOSTER.

Once the warrantee time has elapsed, the warranty becomes void and assistance will be made by debiting the cost of the replaced parts, and the costs of labour and transportation, according to the rates in force.

Authorized technicians will be sent in due time by FOSTER, with the desire of offering the best service available.

FOSTER is not liable for any damages, direct or indirect, caused to people, objects and pets for failure to follow all the instructions given in the instruction booklet and from damages resulting from the forced suspension of the use thereof.

FOSTER will not be liable for damages arising from any repairs made by unqualified staff untrained by the manufacturer.

This warranty applies to appliances used in residential application; it does not cover their use in commercial situations.

This warranty is for products purchased and retained in the 50 states of the U.S.A., the District of Columbia and the following provinces of Canada: Quebec, Ontario, Alberta, and British Columbia.

FOSTER DOES NOT ASSUME ANY RESPONSIBILITY FOR INCIDENTAL OR CONSEQUENTIAL DAMAGES.

Some states do not allow the exclusion or limitation of incidental or consequential damages, so the above limitation or exclusion may not apply to you. This warranty gives you specific legal rights and you may also have other rights which may vary from state to state or province to province.

Foster Service Center
7575 E Redfield Rd #129, Scottsdale, AZ 85260
Telephone (888) 639-6001
E-mail: foster@adcosservice.com
Fax: (480)998-7877

