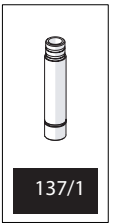
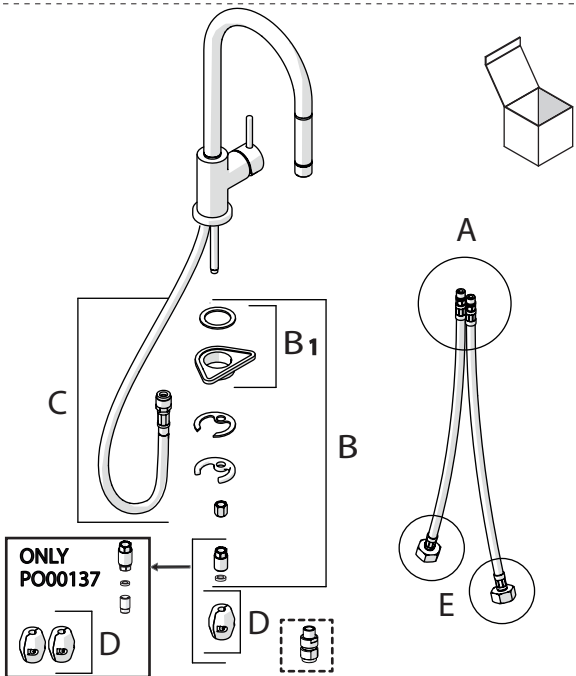
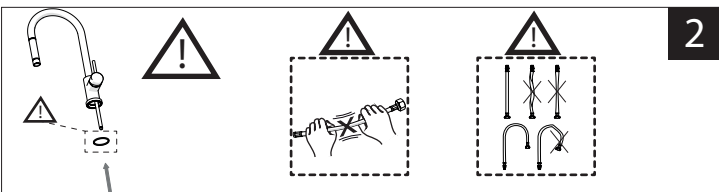
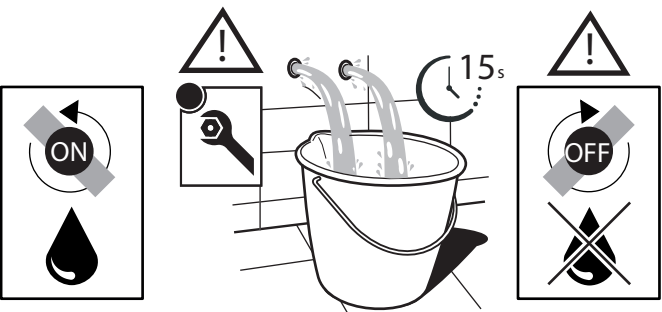
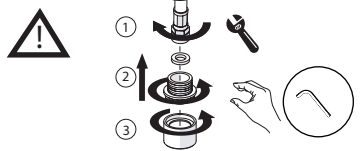


Not included / Non incluso / Non Inclus / Nie zawarty/ No incluido / Nao incluido

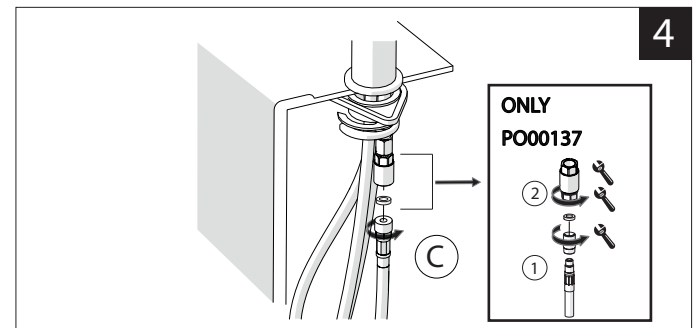
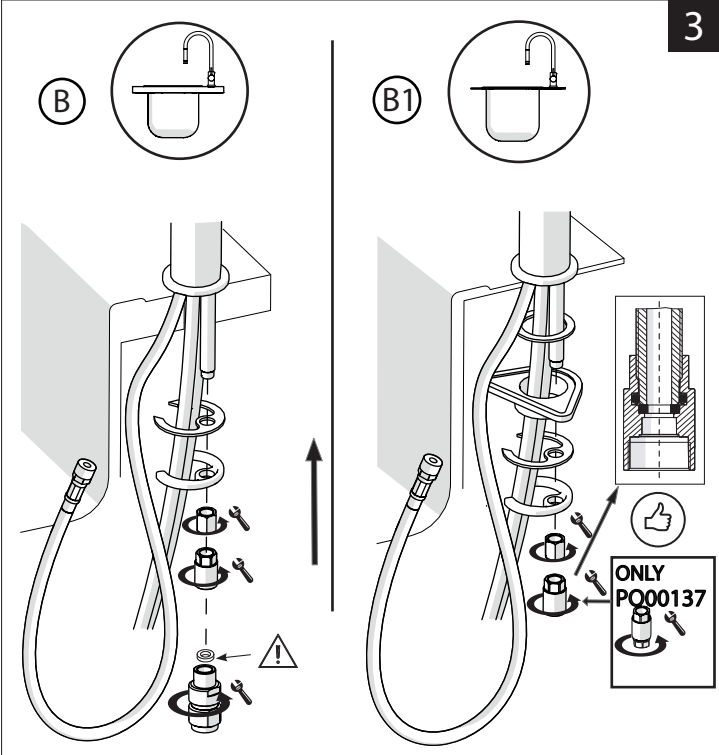
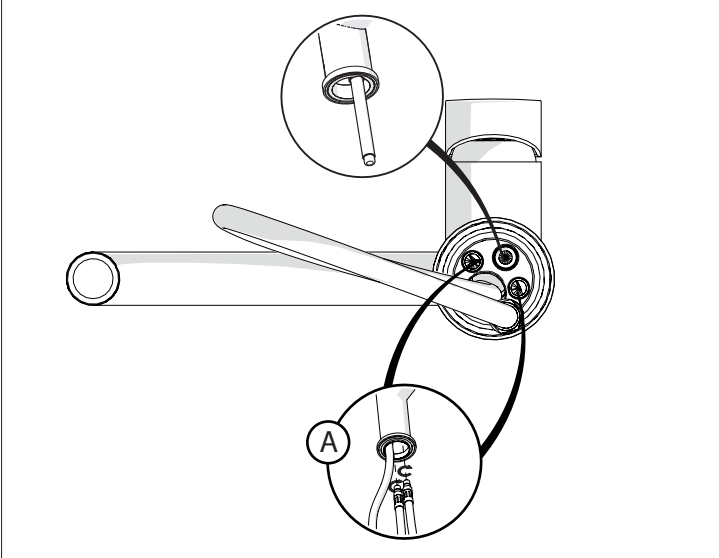
1



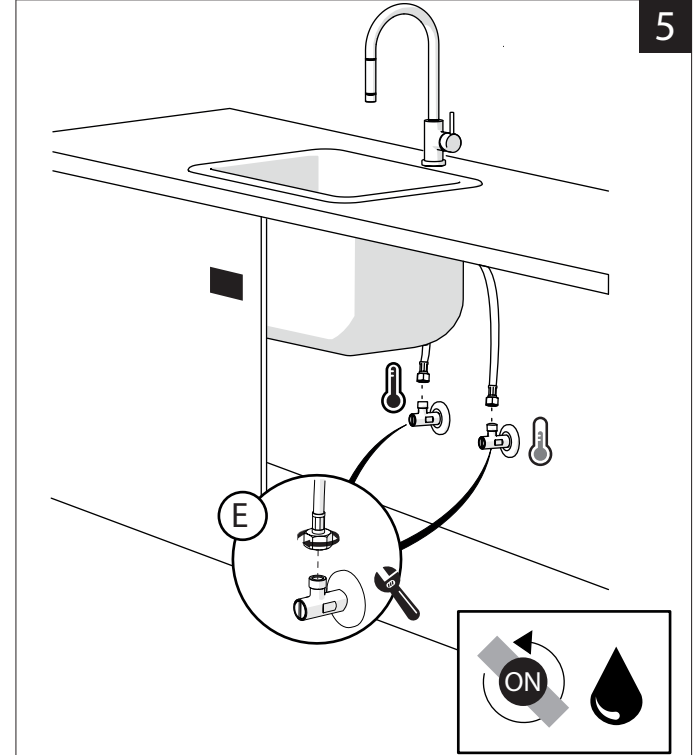
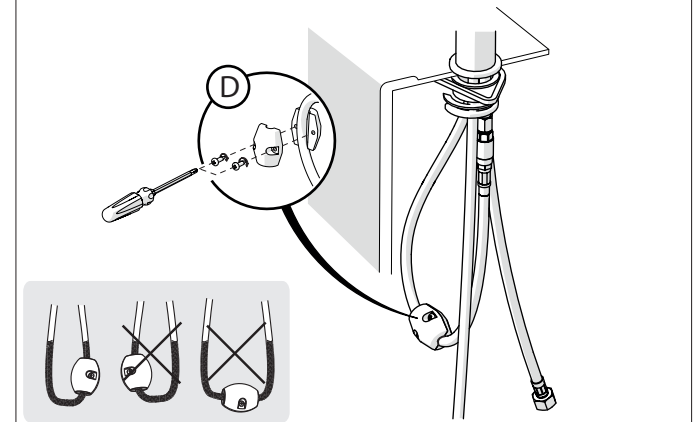
137/1



2



4



5

-50% "Dinamic" flow rate restrictor "50%"

ON 50%

ON 100%

NON-RETURN VALVE INSIDE HANDSHOWER

EXAMPLES OF TECHNICAL DRAWING

6

LV00137/1

PO00137



7

8

Extract the limiter and put it in correct position to limit temperature

No limitation of temperature

Partial limitation of temperature

Maximum position Only cold water

BEFORE STARTING

P bar

MAX 10
MIN 0.5

MAX 5
MIN 1

T °C

MAX 80
MIN 45

MAX 65
MIN 45

CLEANING

WATER ✓

ALCOOL ✓

MICROFIBER ✓

SPONGE ✗

DETERGENT ✗