

Foster

INSTALLATION INSTRUCTIONS

CARE AND USE MANUAL FOR: CEILING HOOD



MISTRAL WHITE 2464 950

MISTRAL WHITE 2464 951



MISTRAL INOX 2464 900

MISTRAL INOX 2464 901



HOOD FLY 59" 2459 910

HOOD FLY 59" 2459 911



HOOD FLY 43" 2459 920

HOOD FLY 43" 2459 921

Models covered by this instructions:

2464 950 – 2464 900 – 2459 910 – 2459 920

2464 951 – 2464 901 – 2459 911 – 2459 921

*** BEFORE INSTALLATION ***

ENSURE THERE IS NO VISIBLE OR HIDDEN DAMAGE SUSTAINED DURING SHIPPING

*** AVANT L'INSTALLATION ***

S'ASSURER QUE LES PRODUITS N'ONT SUBI AUCUN DOMMAGE PENDANT LE TRANSPORT

*** SHIPPING DAMAGE ***

MUST BE REPORTED WITHIN 5 DAYS OF RECEIPT

*** DOMMAGES DE TRANSPORT ***

DOIVENT ÊTRE NOTIFIÉS DANS LES 5 JOURS SUIVANT LA RÉCEPTION

WARNING

*Thank you for purchasing a Foster Range Hood.
Please read all the instructions in this manual before
installing the appliance.*

Save these instructions for future reference.

Only use this appliance as an exhaust ventilation system for the removal of cooking vapors. **DO NOT** use to expel flammable substances or any other materials or vapors.

The installation procedures in this manual are intended for qualified installers, service technicians or persons with similar qualified background. **DO NOT** attempt to install this appliance yourself.

Ensure that electrical power is turned off at source before commencing installation. All electrical wiring must be properly installed, insulated and grounded and conform to all applicable codes and standards.

Make sure all existing duct work is clean of grease build up, or duct work should be replaced, if necessary, to avoid the possibility of a grease fire. Check all joints on ductwork to ensure proper connection and all joints should be properly taped. Be careful when cutting through ceilings or walls not to damage any hidden pipes or electrical wiring. Ensure your kitchen has sufficient air return vents to replace the exhausted air.

Fan ducts should always be vented to the outside of your home and never into spaces within walls, ceilings, lofts or attics. Only use rigid, smooth steel for ducting. The exhaust point of the blower requires a 6" round connection.

TABLE OF CONTENTS

BEFORE YOU BEGIN	4
DUCTING	4
ELECTRICAL	5
Electrical Supply	5
INSTALLATION	6
Before the installation	6
Panels opening	6
Installation	6
OPERATING PROCEDURES	8
General Advice	8
WORKING	9
MAINTENANCE	11
Cleaning the Filter	11
Cleaning the Hood	11
WARRANTY	15

BEFORE YOU BEGIN

The manufacturer declines all responsibility in the event of failure to observe the instructions given here for installation, maintenance and suitable operation of the product. The manufacturer further declines all responsibility for injury due to negligence and the warranty of the unit automatically expires due to improper maintenance and/or installation.

BEFORE YOU BEGIN: It is advisable to test run the range hood before installation.

BEFORE STARTING – please read this entire document and ensure you are fully conversant with the requirements and limitations. Tacking into account that the unit is quite heavy the installation require a minimum of two people.

Recommended height from cook top to underside of hood is 47".

It is important not to install the hood at a distance smaller than 30" for gas hob, 25" for electric hob.

DUCTING

If vented externally, 6" / 150mm round ducting must be available for the hood through the ceiling, in line with the central vertical axis of the range hood.

This unit must have it's own ductwork. Do not under any circumstances vent this unit into any other ductwork or exhaust ducting in the building.

Furthermore, please read carefully all of the following installation instructions.

- Use an exhausting pipe whose maximum length does not exceed 5 meters.
- Limit the no. of elbows in the piping, since each elbow reduces the air capacity of 1 linear meter. (Ex.: if you use no. 2 x 90 ° elbows, the length of piping must not exceed 3 meters).
- Avoid abrupt direction changes.
- Use a 6"/8" constant diameter pipe for the whole length.
- Use piping approved by standards in force.

Use the shortest most direct ductwork route possible. Only use metal ducting – plastic ducting is generally not permitted by code. Do not use flexible metal ducting as the ridges of the ducting cause severe air turbulence and will significantly reduce the efficiency of any hood –THIS TYPE OF DUCTING WILL REDUCE EFFICIENCY BY 50%.

Vent hoods may interrupt the proper flow of exhaust gases from fire-places, gas furnaces and gas water heaters. To minimize the risk of drawing these lethal gases back into the home please follow the heating equipment manufacturers safety standards and guidelines. Refer to NFPA and ASHRAE for additional information.

ELECTRICAL

WARNING: All electrical work must be performed by a qualified electrician.

Please ensure that the appropriate electrical codes or prevailing local building codes and ordinances are adhered to.

Ensure that the electricity supply is disconnected at source. Do not use an extension cord or adapter plug with this appliance.

This appliance must be grounded. Connect to a properly grounded branch circuit, protected by a 15 amp circuit breaker.

Electrical Supply.

This appliance requires 120V/60Hz, 3amp electrical supply - ensure an appropriately qualified person completes the electrical hook-up. The connection point for the electrical supply is at the top of the unit, therefore the electrical supply must be run down from the ceiling alongside the ductwork.

All electrical and venting hook-ups must be in place before commencing installation of the hood-fan.

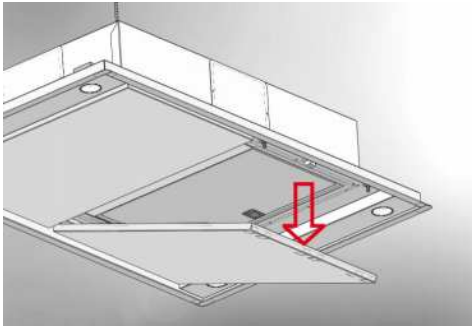
INSTALLATION

BEFORE THE INSTALLATION

This models can be used only if connected with external motors produced by the same manufacturer.

PANELS OPENING

It is possible to open the steel panels, which cover the grease filters, by slightly pulling on a side of the panel itself, as shown.



To achieve the complete opening of panels, you need to release the safety chains, by using the appropriate spring catches.

Before starting the appliance installation, please check that all components are not damaged, in such a case contact your retailer and do not carry out installation.

INSTALLATION

Fit a false ceiling with an opening that has the following dimensions:

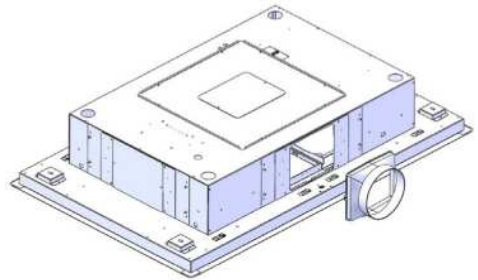
SUT950: 57.67"X37.99" mm with a minimum distance of 12.99" mm between the ceiling and the false ceiling;

SUT951: 41.92"x26.18" mm with a minimum distance of 12.99" between the ceiling and the false ceiling.

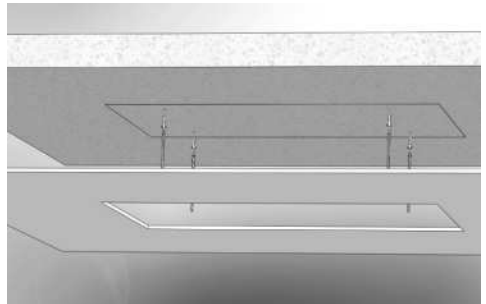
SUT958: 30.05"X15.94" with a minimum distance of 330 mm between the ceiling and the false ceiling;

After having chosen the most suitable position, prepare the ducting: an air outlet connection piece, with a diameter of 6" to be installed in the side selected, is provided with the appliance.

Leave any unused exhaust outlets closed.

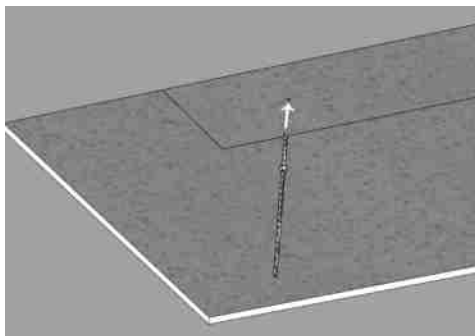
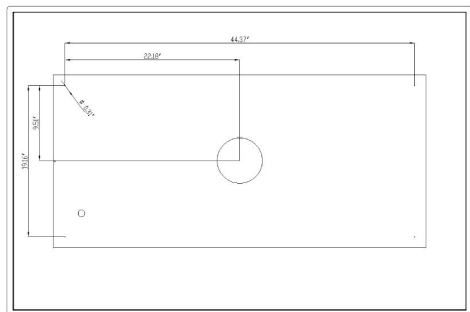


Draw the outline of the hole to house the ceiling-mounted hood on the solid ceiling as shown below according to the model chosen.



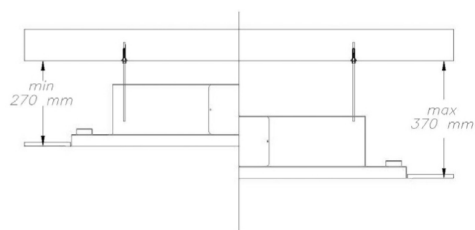
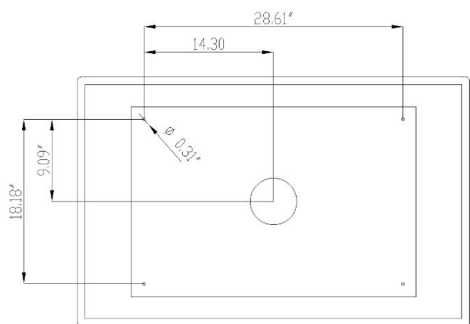
Make 4 holes in the ceiling according to the dimensions as shown in the picture below, place the metric plugs provided in the holes.

SUT950



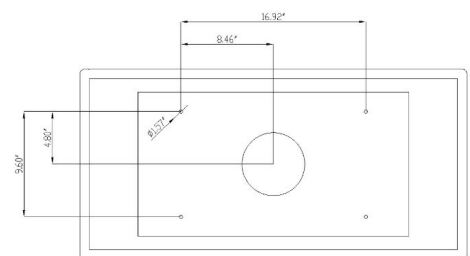
The threaded bars are 9.84" long and serve to install the ceiling-mounted hood at a distance from the solid ceiling of between 10.62" and 14.56" as shown.

SUT951

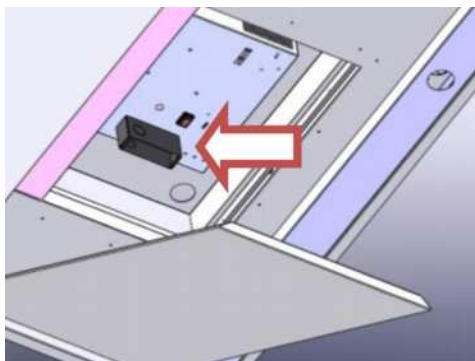


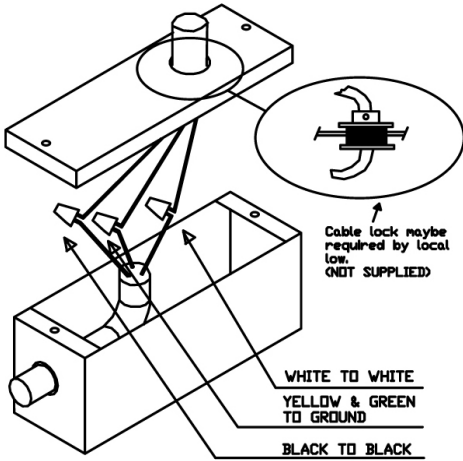
in case of a larger gap between the hood and the ceiling, you need to use longer threaded bars.

SUT958



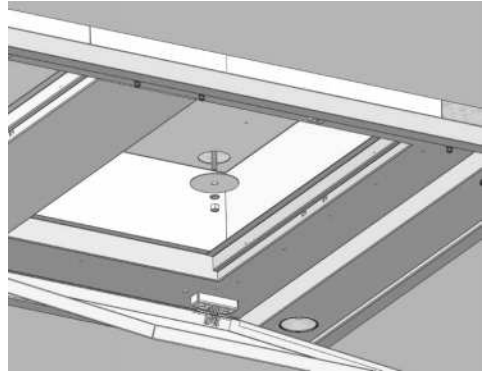
Open the stainless steel panels and remove the grease filters in order to avoid damaging them in any way and too allow installation; screw the threaded bars provided into the plugs as shown.





and connect the air outlet pipe.
Do not fix the ducting to the outlet with screws – use DUCT TAPE;

place the ceiling-mounted hood into the niche, the outer edge of the hood needs to be perfectly flush with the false ceiling. Insert the plates and nuts provided on the threaded bars, making sure to tighten them securely, as shown refit the grease filters and filter cover panels.



OPERATING PROCEDURES

Read all the instructions before operating the appliance. Save these instructions for future reference.

General Advice.

Ensure that the grease filters are in place. Without these components, operating blowers could catch on to hair, fingers and loose clothing. Keep fan, filters and surfaces clean of grease and fat. Always turn hood fan ON when cooking. NEVER leave cooking unattended.

NEVER dispose cigarette ashes, ignitable substances or any foreign objects into blowers.

Cooking that generates flame is not recommended as this hood is equipped with a thermal overload that will shut down the motor if it senses excessive heat.

When frying, oil in the pan can easily overheat and ignite. Heat oil slowly in an appropriately sized pot (covering the entire burner) to reduce the risk of boiling over and burning.

In the event of a range top grease fire, observe the following:

Switch OFF the range hood. Turn off the cook top then smother flames with a close fitting lid, cookie sheet or other metal tray. If the flames do not go out immediately.

EVACUATE AND CALL THE FIRE DEPARTMENT.

Never pick up a flaming pan – you may be burned. DO NOT USE WATER including wet dishcloths or towels, as a violent steam explosion may occur.

WORKING

RC001

RADIO CONTROL

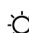
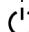
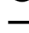


Radio control used for the remote operation of ducted cooker hoods.

TECHNICAL DATA

- Alkaline battery powered: 12V mod. 27A
- Operating frequency: 433.92 Mhz
- Combinations: 32.768
- Max. consumption: 25 mA
- Operating temperature: -20 ÷ + 55 °C
- Dimensions: 130x45x15 mm.

OPERATING DESCRIPTION

The transmitter is equipped with 5 buttons for cooker hood management, as specified below:

-  : Light ON/OFF command.
-  : Motor ON (speed level 1) / OFF command.
-  : Reduce speed.
-  : Increase speed.
-  : 10-minute timer.

The set suction speed is indicated by the LED in the suction perimeter channel.

To each color generated by the LED, it corresponds a specific speed, as shown below:

- First speed WHITE
- Second speed BLUE
- Third speed DARK BLUE
- Fourth speed RED

DIMMABLE LIGHTS FUNCTION (SLT958)

THIS FUNCTION PROVIDES FOR LIGHTS DIMMABILITY, RANGING FROM 20% TO 100% , BY CONTINUOUSLY PRESSING THE LIGHT KEY ON THE REMOTE CONTROL.

FUNCTIONS ARE THE FOLLOWING:

- HOOD LIGHT OFF - SHORTLY PRESS THE KEY
- LIGHT ON AT 100%.
- LIGHT ON AT 100% - SHORTLY PRESS THE KEY - LIGHT OFF.
- LIGHT ON AT 100% - CONTINUOUSLY PRESS THE KEY - BRIGHTNESS REDUCTION.

- RELEASING THE KEY DURING REDUCTION OR INCREASE - LIGHT KEEPS THE LUMINOUS INTENSITY REACHED.

- LIGHT ON - DIMMED - CONTINUOUSLY PRESS THE KEY - BRIGHTNESS IS INVERTED IF COMPARED TO THE PREVIOUS FUNCTION.

INITIAL OPERATING CONDITION

The manufacturer supplies the radio control unit ready to be used with codes preset in the Factory.



OPERATION MODE

Standard configuration:

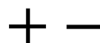
Standard configuration requires all “cooker hoods - radio control - system” to be provided with the same transmission code. In the event two cooker hoods - radio control system are installed in the same room or nearby, each system may affect the operation of the another. Therefore, the code of one radio control system must be changed.

Generating a new transmission code:

The radio control system is provided with preset codes. Should new codes be required, proceed as follows: Press simultaneously buttons:



for two seconds. When Leds light on, press buttons:




(within 5 seconds). Leds flashing 3 times indicate the procedure is completed.

WARNING! This operation deletes permanently the preset codes.

Learning the new transmission code:

Once the transmission code is changed in the radio control unit, the electronic central unit of the cooker hood must be made to set the new code in the following way:

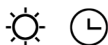
Press the main power-off button of the hood and then restore power to the electronic control unit. Within the next 15 seconds, press the Light Button  to synchronise the central unit with the code.

Reset of the Factory configuration:

To restore the Factory configuration, follow the procedure described below: press simultaneously buttons:



for 2 seconds. When Leds light on, press buttons:



(within 5 seconds). Leds flashing 6 times indicate the procedure is completed.

WARNING! This operation deletes permanently the preset codes.

Emergency button:

In the event that the radio control does not work, use the emergency button to switch the appliance off. After any necessary repairs have been performed, reset the emergency button.

WARNING

The battery should be replaced every year to guarantee the optimal range of the transmitter.

To replace the exhausted battery, take the plastic lid off, remove the battery and replace it with a new one, observing the correct battery polarities.

Used batteries should be discarded in special collection bins.

The below product:

RC001 Radiio Controll

complies with the specifications set out in the R&TTE Directive 99/5/EC.



WARNING

Any adjustments or modifications which have not been expressly approved by the holder of the legal conformity certificate may invalidate the user's rights relating to the operation of the device.

Rev. 0 26/08/14

The products are endowed with an electronic device which allows the automatic switching off after 4 hours working from the last operation.

MAINTENANCE

The hood-fan should provide many years of trouble free service provided it is maintained properly.

Cleaning the Filter.

Clean the grease filter either by carefully hand washing, (so as not to damage the filter design) or, preferably in a dishwasher. Depending on use, the filters should be cleaned at least every two weeks in a dishwasher.

If a carbon filter has been fitted this must be replaced at least every 6 months as a minimum. Depending on cooking style and nature of cooking (greasy foods, fry's, curries etc) would probably require more frequent replacement - if odors start to manifest themselves when cooking it is time to replace the carbon filter . We suggest you retain a spare set. These can be ordered from the supplier of your range hood.

Cleaning the Hood.

Cleaning of the internal parts should be done with a clean damp (not excessively wet) cloth together with regular household detergent. The external stainless steel elements should be cleaned with a good quality foaming stainless steel cleaner. Read the manufacturers directions. Generally they recommend that the foam be sprayed onto a clean dry cloth and then applied to the stainless steel. Allow the foam to react on the surface for a few minutes and then wipe with a clean dry cloth.

On the surfaces that are exposed directly to heat from the cook-top, it is advisable to clean these on a regular basis to avoid the marks from becoming baked on.

Do not under any circumstances use an abrasive type cleaner as this will scratch and damage the stainless steel finish. Glass components should be cleaned with a product such as Windex.

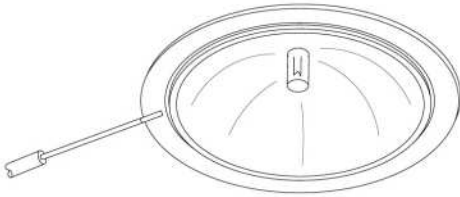
Replacement of SUT950 SUT951 lamps.

Turn blower and lights off. Make sure the lights are cool.

If new lights do not operate, check fuses and be sure globes and breakers are inserted correctly.

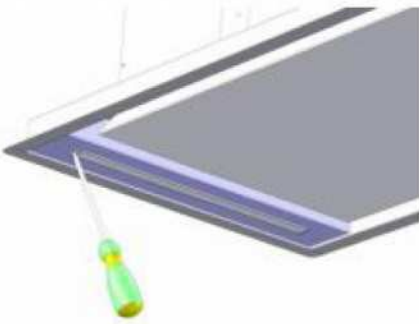
Do not remove the entire fixture (socket) as this is very difficult to reinstall. Gently pry the bulb from the fixture using a soft instrument such as a toothpick. Steel instruments will scratch the surface.

Replace the appropriate bulb. Check parts brochure or specification sheets on our website. Wipe both sides of the glass whilst it is out. Re-insert the glass-blocking ring and fasten it.



replacement of SUT950 SUT958 lamps.

Using an appropriate tool, remove the LED bar from its seat, disconnect it electronically using the appropriate connector then substitute it with a LED bar with same characteristics.





GENERAL CONDITIONS OF GUARANTEE

WHAT IS COVERED:

FOSTER guarantees its products for a period of 24 months from the date of original purchase by final customer, in both EU countries and countries outside the EU where recognized. The purchase must be verified with a valid receipt issued by the dealer (receipt, invoice or delivery note) that identifies the purchased product, date of purchase and / or delivery of the same. The buyer must report any esthetical defect within the first month of purchase of the product. The warranty covers manufacturing defects to all components except for the external piping and / or any accessories.

WHAT IS NOT COVERED:

- Damage caused during installation of the product (reversing doors, removing screws or brackets, adjusting feet, burners, etc.)
- Damage derived from the connection of the power, gas, water and/or electricity supply.
- Damage to knobs, handles, plastic parts, removable panels, lamps, glass parts and external rubber tubes.
- Damaged caused from accident, alteration, misuse, abuse, fire, flood, acts of God, improper installation or use of products not approved by Foster.
- Damage to external components on which the consumer may intervene directly during use and / or maintenance, and which may be subject to wear.
- The formation of rust and stains on the steel due to the use of unsuitable cleaning agents.
- Any functional defect indicated by the user and not confirmed during the process of verification by the technician. In this case the intervention fee will be charged in full to the consumer.
- Any parts that are Damaged from transportation not carried out by a Foster approved carrier.
- Incorrect installation or maintenance, insufficient or excessive electrical flow, plumbing or gas abnormalities, insufficiency of the chimneys, and poor fuel quality.
- Failure to follow the Foster instruction manual.
- Repair by unauthorized personnel.
- This warranty applies to appliances used in residential application; it does not cover their use in commercial situations, which are not allowed for this product.
- Travel fees and associated charges incurred when the product is installed in a location with limited or restricted access (i.e., isolated geographic regions located beyond 50 miles from the nearest Foster dealer).
- Also not included are service visits to:
 - a) Educate the customer in the proper use and care of the product.
 - b) Correct the installation. The customer is responsible for providing electrical wiring and/or gas installation and other connecting facilities.
 - c) Reset circuit breakers or replace home fuses.

Should the appliance be sold by the original purchaser during the warranty period, the new owner continues to be protected until the expiration date of the original purchaser's warranty period.

During the warranty period, FOSTER will replace, or repair free of charge, all components that are defective in origin, leaving unchanged the deadline and the warranty acquired at the time of purchase. The repair is free of charge provided it is carried out by an authorized FOSTER Technical Assistance Centre.

If the equipment is repaired at one of the Authorized Service Centres indicated by the manufacturer and in the case of replacement of the product, shipping will be free of charge. In cases where repair at home is declined, transport to and from the assistance centre will not be paid for or provided by FOSTER.

Once the warranty time has elapsed, the warranty becomes void and assistance will be made by debiting the cost of the replaced parts, and the costs of labour and transportation, according to the rates in force.

Authorized technicians will be sent in due time by FOSTER, with the desire of offering the best service available.

FOSTER is not liable for any damages, direct or indirect, caused to people, objects and pets for failure to follow all the instructions given in the instruction booklet and from damages resulting from the forced suspension of the use thereof.

FOSTER will not be liable for damages arising from any repairs made by unqualified staff untrained by the manufacturer.

This warranty applies to appliances used in residential application; it does not cover their use in commercial situations.

This warranty is for products purchased and retained in the 50 states of the U.S.A., the District of Columbia and the following provinces of Canada: Quebec, Ontario, Alberta, and British Columbia.

FOSTER DOES NOT ASSUME ANY RESPONSIBILITY FOR INCIDENTAL OR CONSEQUENTIAL DAMAGES.

Some states do not allow the exclusion or limitation of incidental or consequential damages, so the above limitation or exclusion may not apply to you. This warranty gives you specific legal rights and you may also have other rights which may vary from state to state or province to province.

Foster Service Center
7575 E Redield Rd #129, Scottsdale, AZ 85260
Telephone (888) 639-6001
E-mail: foster@adcservice.com
Fax: (480)998-7877